

User manual

MANUEL D'UTILISATION
GEBRUIKSAANWIJZING
GEBRAUCHSANWEISUNG
MANUALE DI ISTRUZIONI
MANUAL DE INSTRUCCIONES
INSTRUKCJA OBSŁUGI
NÁVOD K OBSLUZE

Verso



EN

Instructions for specialist dealer

This instruction manual is part and parcel of the product and must accompany every product sold.

Version: E, 2024-01

FR

Instructions pour les distributeurs

Ce manuel d'instructions fait partie du produit et doit accompagner chaque produit vendu.

Version : E, 2024-01

NL

Instructies voor de vakhandelaar

Deze handleiding is deel van het product en dient bij iedere product te worden geleverd.

Versie: E, 2024-01

DE

Hinweise für den Fachhändler

Diese Gebrauchsanweisung ist Bestand-teil des Produkts und ist bei jeder Produkts auszuhändigen.

Version: E, 2024-01

IT

Istruzioni per il rivenditore

Il presente Manuale di istruzioni è parte integrante del prodotto e deve essere fornito assieme alla prodotto.

Versione: E, 2024-01

ES

Instrucciones destinadas a los distribuidores especializados

El presente manual de instrucciones es parte integrante del producto y se debe adjuntar a todas las producto que se vendan.

Versión: E, 2024-01

PL

Instrukcje dla wyspecjalizowanego sprzedawcy

Niniejsza instrukcja obsługi jest nieodłączną częścią produktu i musi być dołączona do każdego sprzedawanego produktu.

Wersja: E, 2024-01

CS

Pokyny pro specializovaného prodejce

Tento návod k obsluze je součástí dodávky a musí být součástí každého prodaného produktu.

Verze: E, 2024-01

All rights reserved, including translation.

Tous droits réservés, y compris la traduction.

Alle rechten, inclusief vertaling, voorbehouden.

Alle Rechte, auch an der Übersetzung, vorbehalten.

Tutti i diritti riservati (anche sulla traduzione).

Todos los derechos reservados, incluidos los de la traducción.

Wszelkie prawa zastrzeżone, łącznie z tłumaczeniem.

Všechna práva vyhrazena, včetně překladu.

Content

Content	1
Preface	2
1 Your product	3
1.1 Options.....	3
2 Before use	4
2.1 Intended use.....	4
2.2 General safety instructions.....	4
2.3 Symbols on the wheelchair.....	5
2.4 Transport.....	5
2.5 Assembly/Disassembly.....	6
2.6 First use and storage.....	8
3 Using your wheelchair	9
3.1 First ride.....	9
3.2 Driving outdoors.....	9
3.3 Operating console.....	10
3.4 Brake and free-wheel lever.....	11
3.5 Moving to/from wheelchair.....	12
3.6 Comfort adjustments.....	12
3.7 Battery status and charging.....	14
3.8 Switching the electric device On/Off.....	15
3.9 Mounting / removing battery.....	15
4 Maintenance	17
4.1 Time of maintenance.....	17
4.2 Instructions for maintenance.....	17
4.3 Troubleshooting.....	18
4.4 Expected lifespan.....	18
4.5 Reuse.....	18
4.6 End of use.....	19
5 Troubleshooting	20
6 Technical specifications	21

Preface

Congratulations! You are now owner of a Vermeiren wheelchair!

This wheelchair is made by qualified and committed personnel. It is designed and produced according to high quality standards guarded by Vermeiren.

Thanks for your trust in the products of Vermeiren. To support you on the use of this wheelchair and its operating options, this manual is offered. Please read it carefully; it will help you to get familiar with the operation, capabilities and limitations of your wheelchair.

If you still have questions after reading this manual, do not hesitate to contact your specialist dealer. He/she will be glad to help you on this subject.

Important note

To ensure your safety, and to prolong the lifetime of your product, please take good care of it and have it checked and serviced on a regular basis.

This manual reflects the latest product developments. Vermeiren has the right to implement changes to this type of product without being imposed to any obligation to adapt or replace similar products previously delivered.

Pictures are used to clarify the instructions in this manual. Details of the depicted product may deviate from your product.

Information available

On our website <http://www.vermeiren.com/> you will always find the most recent version of following information. Please consult this website regularly for possible updates.

Visually impaired people can download the electronic version of this manual and have it read out by means of a text-to-speech software application.



This user manual
For user and specialist dealer



Installation instructions (Instructions for detail adjustments and (dis)assembly)
For specialist dealer



Service manual for wheelchairs
For specialist dealer



EC declaration of conformity

1 Your product



- | | |
|----------------------|---|
| 1. Backrest | 7. Front wheels |
| 2. Operating console | 8. Rear wheels / Driving wheels with motors |
| 3. Armrest | 9. Battery |
| 4. Seat | 10. Cross |
| 5. Footrest | 11. Identification plate |
| 6. Footplate | |

1.1 Options

- Contact your specialist dealer about options. He will gladly advise you.

2 Before use

2.1 Intended use

In this paragraph a brief description of the intended use of your wheelchair is given. Additionally, relevant warnings are added to the instructions in the other paragraphs. In this way we would like to make you aware of the possible misuse that may appear.

- This wheelchair is suitable for indoor and outdoor use.
- This wheelchair is designed and produced solely to transport/transfer one (1) person with a maximum weight of 130kg. It is not designed for transportation of goods or objects, nor for any use other than previously described.
- This wheelchair can be operated by the user sitting in the wheelchair, or it can be pushed by an attendant. You should NOT use this wheelchair without attendant if you suffer from physical or mental impairments that may put you, or other people, in danger when driving the wheelchair. For this reason, consult your doctor first and make sure that your specialist dealer is informed about his advice.
- Only use accessories and spare parts approved by Vermeiren.
- Please read all technical details and limits of your wheelchair in chapter 6.
- The warranty on this product is based on normal use and maintenance as described in this manual. Damage to your product caused by improper use or lack of maintenance will cause the warranty to lapse.

2.2 General safety instructions

 CAUTION Risk of injuries and/or damage

Please read and follow the instructions in this manual. Otherwise you may get injured or your wheelchair may get damaged.

Keep the following general warnings in mind during use:

- Do not use your wheelchair if you are under influence of alcohol, medicines or other substances that may influence your driving abilities.
- Be aware that some parts of your wheelchair may get very hot or cold due to ambient temperature, solar radiation, heating devices or due to the motor drive during the ride. Be careful when touching. Wear protective clothing if the weather is cold. After a ride, wait until the wheelchair/motor has cooled down.
- Before switching the wheelchair on, be aware of the environment/situation in which you are located. Adjust your speed to this before driving off. We advise you to use the slowest speed setting to drive indoors. For outdoor driving you can adjust the speed to a suitable speed at which you feel comfortable and safe.
- ALWAYS keep in mind that your wheelchair may stop suddenly due to a discharged battery or a protection that prevents your wheelchair from further damage. Also check the possible causes mentioned in § 4.3. Use your safety belt to prevent injuries.
- Your wheelchair has been tested for electromagnetic compatibility and complies with the standard, see chapter 6. Nevertheless, sources of electromagnetic fields may influence the driving performance of your wheelchair, such as the fields of mobile phones, power generators or high-power energy sources. On the other hand, the electronics of your wheelchair can affect other electronic appliances too, such as alarm systems of shops and automatic doors. We therefore advise you to check your wheelchair regularly for damage and wear, since these may enlarge the interference (see also chapter 4).
- Only drive on flat surfaces where both driving wheels touch the ground and where there is sufficient contact to operate the wheelchair safely.

- Alterations or substitutions should not be made to the wheelchair securement points or to structural and frame parts or components without consulting the wheelchair manufacturer.
- Make sure that your hands, clothes, belts, buckles or jewellery don't get caught by wheels or other moving parts during use.

Be aware that your wheelchair may interfere with some types of anti-theft systems, depending on the settings used. This may cause the shop's alarm to go off.

Any serious incident [MDR (EU) 2017/745 §2 (65)] that has occurred in relation to the device should be reported to the manufacturer and the competent authority of the Member State in which the user and/or patient is established.

2.3 Symbols on the wheelchair

The symbols in following list are applicable to your wheelchair. Symbols can be found in the relevant ISO standard (ISO 7000, ISO 7001 and IEC 417).



Maximum weight of the user in kg



Indoor use only (battery charger)



Maximum safe slope in ° (degrees).



Maximum speed



Type designation



Risk of entrapment

2.4 Transport

CAUTION

Risk of damage

Take action to protect the wheelchair from being damaged during transport.

2.4.1 Moving out of the way

Use the operating console to drive the wheelchair to its destination.

Otherwise, put the wheelchair in free-wheel mode (see §3.4) and use the push bar to move it.

2.4.2 Transport by aircraft

When transporting the wheelchair by aircraft, lock and disconnect the battery before handing the wheelchair over to airport personnel (see §3.9 and §3.8). The battery can remain in the wheelchair. Consult your airline for the correct handling procedure.

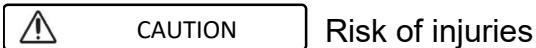


2.4.3 Transport by vehicle, as luggage

The best way to transport your electric wheelchair in the car is to drive it by using ramps. If you are not experienced to drive the electric wheelchair using ramps, you can put the wheelchair in neutral mode and push the wheelchair in the car using ramps. If necessary, disassemble the wheelchair.

1. As the wheelchair user, transfer to a car seat, see §3.5.
2. Remove all moveable parts prior to transport (footrests, arm supports, etc.).
3. Store moveable parts safely behind the passenger seat or in the luggage compartment.
4. Drive or push the electric wheelchair in the car using ramps, or lift the wheelchair in the car with the help of 2 persons by grasping the fixed parts of the frames.
5. Attach the solid parts of the frame securely to the vehicle.
6. Place the wheelchair in drive mode (engaging the parking brakes) and check that the operating console is switched off.

2.5 Assembly/Disassembly



- Make sure that your fingers, clothes, buckles won't get trapped during (dis)assembly.

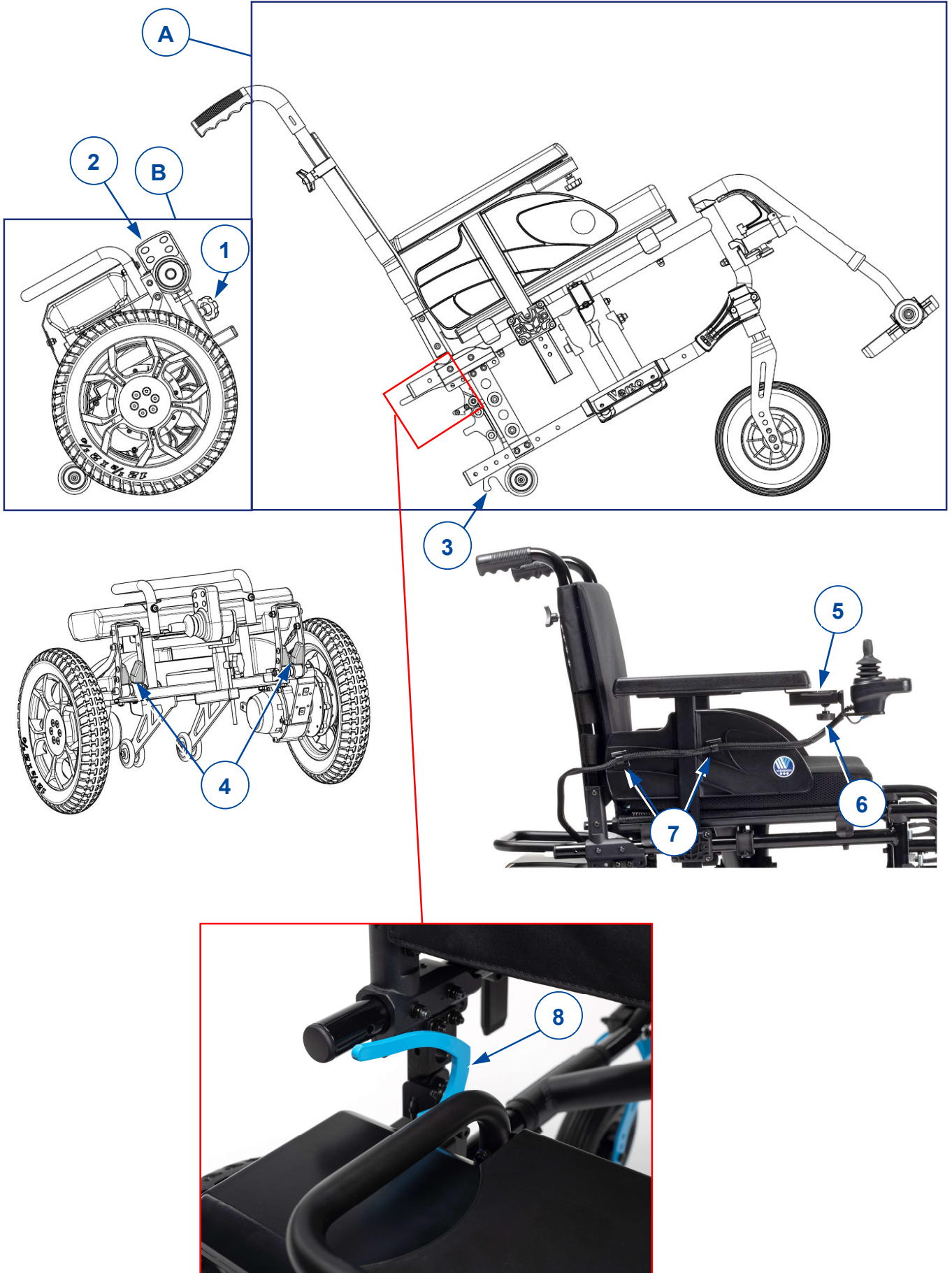
Your dealer delivers the wheelchair fully assembled and explains the various operating elements and their use. We also provide a further, detailed explanation of the different parts here for transport purposes

To assemble the powered wheelchair:

1. Unfold the seating frame (A).
2. Place the seating frame on the front wheels and the rear support wheels.
3. Place the drive train (B) unit behind the seating frame.
4. Unscrew the star knob (1) and remove the operating console (2) from the drive train unit. Place the console in a temporary safe place, e.g. place it over the backrest.
5. Place the hooks of the seat frame (3) on the rods (4) of the drive train unit.
6. Push the seating frame down until an audible click is heard and the frame is securely attached to the drive train unit, both left and right. Check that the hooks (8) are locked in downward position.
If the seat frame does not click automatically, place the frame on the drive train unit and push the hooks (8) down manually.
7. Mount the arm supports (§3.6.2).
8. Mount the footrests (§3.6.1).
9. Slide the operating console into the support on the armrest (5). Tighten the star knob (6) and secure the cable with the clamps (7).

To disassemble the powered wheelchair:

1. Release the cable from the clamps on the armrest. Loosen the star knob (6) on the operating console support and slide the console out. Place the console in a temporary safe place.
2. Pull the hooks (8) on both sides of the lower frame upwards. The drive train unit is now released from the frame and will tilt backwards onto its support wheels.
3. Lift the seating frame up and away from the drive train unit.
4. Remove the arm supports.
5. Remove the footrests.
6. Fold the seating frame.
7. Place the operating console (2) into the designated support on the drive train unit and tighten the star knob (1).





2.6 First use and storage

 CAUTION Risk of battery damage

- Never completely discharge the battery.
- Do not interrupt the charging cycle; only disconnect the battery charger when the battery is fully charged.
- Make sure that your wheelchair is stored dry to prevent mould from growing and the upholstery from being damaged.
- Check the technical details for storage, see chapter 6.

Ensure that the battery has been fully charged before using your wheelchair, ask your dealer if this has already been done or not. To charge, follow the charging instructions in §3.7.

3 Using your wheelchair

**WARNING**

Risk of injuries

- First read previous chapters and inform yourself about the intended use. Do NOT use your wheelchair unless you have read and fully understood all instructions.
- Also read the instructions in the operator console manual and battery charger manual!
- In case of doubts or questions, do not hesitate to contact your local specialist dealer, your care provider or technical adviser to help you with this.

3.1 First ride

**CAUTION**

Risk of injuries and damage

- Always keep the swing range of footrest and operating console in mind to prevent bystanders from being injured or objects from being damaged.
- Always unplug the battery charger from the wheelchair before starting to drive.

- i**
- Make sure that you are familiar with the operation of your wheelchair before using it in crowded and possibly dangerous places. First exercise at a spacious, open area with little bystanders.
 - Investigate the effects of shifting the centre of gravity on the behaviour of the wheelchair, for example on up or down gradients, on laterally sloping ground, or when overcoming obstacles. Obtain support from an attendant.
 - The surface of the controller gets slightly warm during use.
 - While driving backwards, the speed is reduced.

1. Make sure that:

- the wheelchair is on a flat surface;
 - the battery is fully charged, see § 3.7;
 - The motor is coupled, see § 3.4;
 - the wheelchair is adapted to your needs and comfort, see §3.6;
 - you have the proper sitting position, see § 3.5.
2. Follow the instructions in the operating console manual.
 3. Switch on your wheelchair.
 4. Turn the speed control to the lowest speed setting.
 5. Exercise how to drive and make adjustments to the wheelchair.
 6. If you feel confident enough, you can try to drive at higher speed.
 7. Now try to turn, in forward and backward direction. Repeat this a few times.
 8. Make sure that your wheelchair stands stable, when ending the ride.
 9. Switch off your wheelchair.

3.2 Driving outdoors

**WARNING**

Risk of accident - Adjust your driving behaviour and speed.

- Take the local road traffic law into consideration; it may differ per country. This counts for driving on pavements, unpaved roads or paved roadways.
- Do not drive on roads with heavy traffic.
- Take the weather conditions into consideration. Avoid driving by moist weather, extreme heat, snow, black ice, freezing temperatures; see technical specifications in chapter 6.
- Make sure that you are well visible, also during daylight hours, by using fluorescent clothing and/or by using own lighting at the front and rear side of the wheelchair.

- Be aware of other road users to whom your wheelchair may be an obstacle. Pay special attention during turning and reversing. If you are not acquainted with how to drive backwards, first practice in an open area. Indicate the direction you are intending to go before turning.
- Try to drive straight in small passages to prevent getting trapped.
- Keep the braking distance in mind. Be aware that the braking distance depends on speed, surface, weather conditions, slope and weight of the user.

3.2.1 Cope with slopes, kerbs, obstacles or ramps

 CAUTION Risk of injuries by unexpected movement

- Use a restraining safety belt to secure yourself sitting in the wheelchair.
 - Pay attention if the road is sandy, has soft ground, holes or gaps that may cause entrapment of the wheels and/or decreasing of the traction of the driving wheels.
 - Do NOT drive on slopes, obstacles, steps or kerbs larger than the size described in the technical specifications in chapter 6.
 - Always approach a kerb from the front.
 - Do not put your wheelchair in free-wheel mode on a slope. The wheelchair may start moving, causing injuries to you or bystanders.
 - Do not use your wheelchair on an escalator or stairs.
 - Only use ramps approved by Vermeiren and do not exceed their maximum load.
 - To safely overcome obstacles or slopes, put the wheelchair in its most upright sitting position.
- i** When you stop on a slope, the brake will work automatically to prevent the wheelchair from running forward or backward.

CAUTION Risk of damage

- Always park your electric wheelchair on horizontal flat surfaces and on sites that are easily accessible.
- If necessary, take a short run-up to speed up the wheelchair to mount a slope, obstacle, kerb or ramp. Prevent that you or your wheelchair has to cope with a large recoil.
- Make sure that the wheelchair does not touch the ground or ramp due to the inclination of the wheelchair.
- Be aware that the braking distance on downhill slopes can be significantly larger than on level ground.

Procedure

- Start your drive according to the instructions in § 3.1, step 1.
- To move the wheelchair up or down stairs/steps, use lifting equipment or a ramp. If these are not available, it can be lifted manually by at least two persons, grasping the frame firmly with both hands. Do not use the backrest, footplate(s), armrests, or wheels to grasp the wheelchair.
- To cope with obstacles or inclinations:
 1. Adjust the wheelchair to its most stable position, see § 3.5.
 2. Drive as slow as possible to cope with the obstacle or inclination.

3.3 Operating console

- i** Put the joystick in the neutral (central) position before pressing the on/off button, otherwise the electronics will be blocked. To release this block, switch the operating console off and on again.

1. ON/OFF button
2. Battery charge indicator
3. Speed indicator
4. Horn button
5. Speed decrease button
6. Speed increase button
7. Joystick



3.3.1 Technical protections

For your own safety, and to prevent that the wheelchair gets damaged, movements are monitored by the electronics. This may result in speed decrease or complete stop.

- To avoid accidental battery run down, your wheelchair is equipped with an automatic power shutdown system. This system switches off the operating console automatically when it is not operated for a while. If this occurs, simply switch your console back on.
- Make sure that the free-wheel lever is in braking position BEFORE switching the wheelchair ON. Electromagnetic brakes do NOT function if the wheelchair is in free-wheel mode. This is indicated on the operating console. Driving is not possible.

3.3.2 Driving

1. Press the ON/OFF button (1) to switch on the wheelchair.
2. If the lights of the battery charge indicator (2) and speed indicator (3) go on, the wheelchair is powered and ready to go.
3. Check the battery status indicator. Charge the battery if necessary (see §3.7).
4. Adjust the driving speed: decrease the speed with the speed decrease button (5), or increase the speed with the speed increase button (6).
5. Start moving the wheelchair by operating the joystick (7) slowly forwards/backwards.
6. The speed will increase when you push the joystick further out of the centre.
7. To turn left or right, push the joystick to the left or right.
8. To brake, move the joystick to neutral position.
9. Press the horn button (4) to alert other road users if necessary.
10. After arrival, check the battery status and press the ON/OFF button to switch off the wheelchair.
11. Charge the battery if necessary.

3.4 Brake and free-wheel lever

 CAUTION Risk of injuries or damage

- Only operate the free-wheel lever when your wheelchair is turned OFF. An attendant should operate the free-wheel lever. NEVER operate it from sitting position.
- Do not use the free-wheel mode on slopes and inclinations.

i Make sure that the free-wheel lever is in its braking position BEFORE switching the wheelchair ON. Electromagnetic brakes do NOT function if the wheelchair is in free-wheel mode. This is indicated on the operating console. Driving is not possible.

Your wheelchair is equipped with electromagnetic brakes. The working of the brakes depends on the position of the free-wheel lever (1).

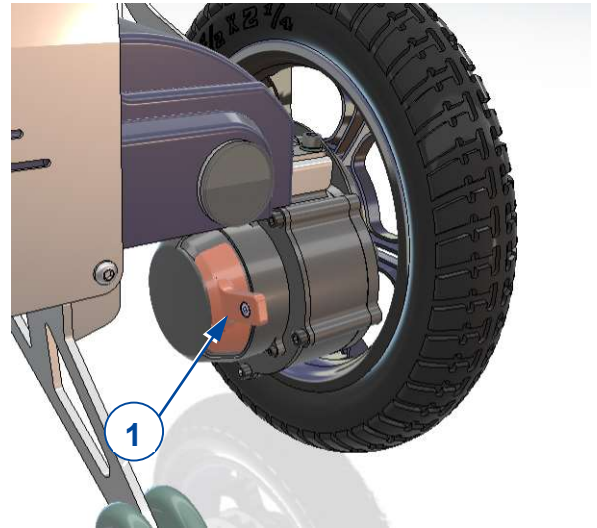
The EM brakes function automatically, **only if** free-wheel lever (1) is in braking position. In this situation, the brakes start braking if:

- the wheelchair is OFF;
- the wheelchair is ON and the joystick is released.

Releasing the joystick makes the wheelchair stop gently and activates the brakes.

Operation of free-wheel lever:

- Turn levers UP to put the wheelchair in free-wheel mode. Now, the motor is disconnected. The wheelchair can be moved manually.
- Turn levers DOWN to connect the motor to the drive. This should be done before starting the wheelchair.



3.5 Moving to/from wheelchair

 CAUTION Risk of injuries or damage

- In case you cannot perform the transfer in a safe manner, ask someone to assist you.
- Do not stand on the footplate(s) during transfer into or out of the wheelchair.

Transfer

1. Position the wheelchair as close as possible to you when sitting in your chair, couch, seat or bed.
2. Apply the brakes by turning the free-wheel lever to braking position, see § 3.4.
3. Fold the footplate(s) upwards to prevent standing on them.
4. If necessary, remove one armrest to make room, see § 3.6.2.
5. Transfer to/from the wheelchair using the strength of your arms or with the help of attendant(s) or lifting equipment.

Sitting in the wheelchair

1. Sit down on the seat with your lower back against the backrest.
2. Turn the footplate(s) down and put your feet on the footplates.
3. Replace the armrest, if applicable.
4. Make sure that your upper legs are horizontal and that your feet are in a comfortable position. Adjust if necessary.
5. Make sure that your arms are bent and are resting comfortably on the arm pads. Adjust if necessary.

Adjusting to stable position

For transport purposes and when you need to negotiate obstacles, the wheelchair must be adjusted to maximise its stability:

- Backrest upright
- Footplate folded up

3.6 Comfort adjustments

 CAUTION Risk of injuries or damage

- The following comfort adjustments can be done by the attendant or caretaker. All other adjustments are done by your specialist dealer according to the installation instructions, see preface.
- Make sure that your fingers, clothes, buckles don't get trapped during adjustment.

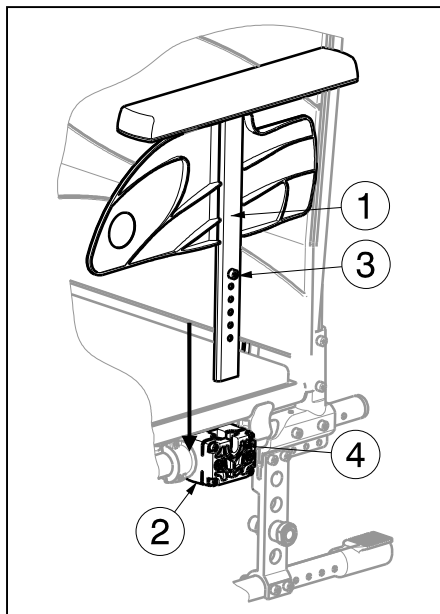
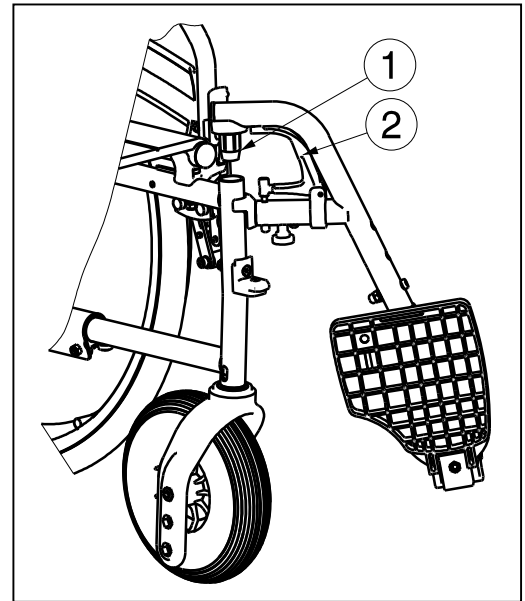
3.6.1 Mounting or removing the footrests

Mounting the footrests is done as follows:

1. Hold the footrest sideways at the outside of the wheelchair's frame and mount the tube hood ① into the frame.
2. Swing the footrest inwards until it clicks in position.
3. Swing the footplate downwards.

To take off the footrests:

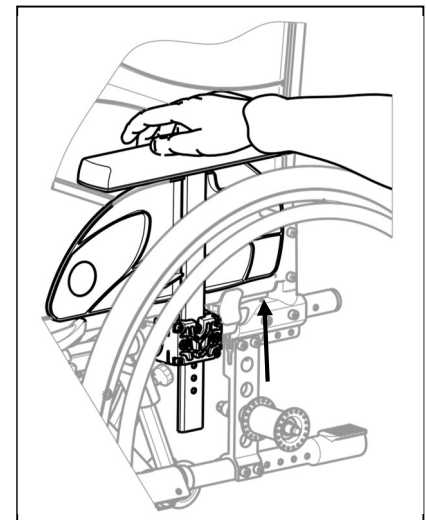
1. Pull lever ②.
2. Swing the footrest to the outside of the wheelchair until it comes loose from the guidance.
3. Pull the footrest from the tube hood ①.



3.6.2 Mounting or removing the armrests

The armrests of the wheelchair can be mounted by following instructions.

1. Mount the armrest ① in the armrest support ② until the screw ③ fits in the sleeve ④.
2. Make sure the armrest ① is firmly fixated.



To remove the armrest:

1. Grasp the arm pad and pull the armrest gently out of the armrest support.

3.6.3 Backrest height

The backrest height can be adjusted into 5 positions.

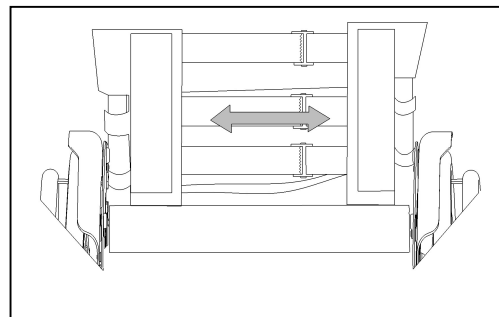
1. Remove the star knob (1).
2. Slide the backrest upholstery up/down to the desired height. Make sure that the hole for the star knob in the frame tube aligns with one of the holes in the upholstery.
3. Replace the star knob and retighten.



3.6.4 Backrest support

The backrest of the wheelchair has a suspension system with adjustable Velcro straps, to adjust the flexibility of the backrest.

1. Pull the backrest cushion from the Velcro straps of the backrest.
2. Loosen the Velcro straps.
3. Pull the respective strap to the desired position. The tension of the individual belts can be varied and the desired support of the back can be set.
4. Place the back cushion back over the backrest starting at the front and ending at the back.
5. Secure the Velcro connections by pressing the cushion against the backrest with your hand.
6. Make sure that all straps are secured with Velcro.



3.6.5 Push handle height

The push handles can be adjusted over a distance of 60 mm:

1. Loosen the star knob (1) .
2. Move the handgrip up/down to the desired height.
3. Retighten the star knob (1) .
4. Repeat for the other handle. Make sure that both handles are firmly secured.



3.7 Battery status and charging



WARNING

Risk of injuries and damage due to fire

- Only use the battery charger delivered with the wheelchair. The use of any other charger may be dangerous (fire hazard).
- The battery charger is only intended to charge the batteries delivered with the wheelchair, not to charge any other batteries.
- Do not adapt any of the delivered parts, like cables, plugs or battery charger. Never open or change the battery or the connection points.
- Protect the battery and battery charger against flames, high and low temperatures (see chapter 6), moisture, sunshine, severe shocks (for example dropping). Do NOT use the battery if this has been the case.
- Charge the battery with the battery charger, indoors, in a well-ventilated area, out of children's reach.

CAUTION

Risk of damage

- Battery self-discharge and the quiescent current of the connected users will drain the battery charge slowly. The battery may be irreversibly damaged if the battery is fully discharged. Therefore, make sure that the battery is charged on time (see 3.7).
- Read the storage and maintenance instructions in chapter 4 and technical details in chapter 6.
- Do not charge batteries below 0°C. Move the battery to a warmer place and start charging.
- Keep the connection point for the battery charger free of dust and other contamination.
- In case of any problems whereby the battery cannot be charged according to following instructions, please contact your specialist dealer.

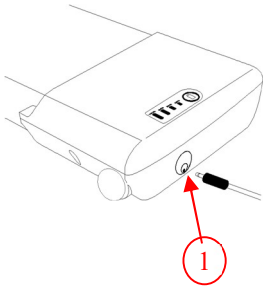
For all information on battery status indication, please read §3.7.

- i** It is recommended to unplug the battery charger from the mains when not in use. This is to prevent unnecessary energy consumption.

Always check the battery for damage before charging. Press the charge indicator button for 2 seconds to switch on the battery. When no LED of the charge indicator lights up, the battery may be damaged. When at least one, but not all LEDs of the charge indicator, is lit, then fully charge the battery pack before using for the first time.

Do not charge or use a damaged battery, contact your specialist dealer.

To ensure full battery capacity, completely charge the battery with the charger before using it for the first time. The battery can be recharged at any time on the wheelchair or while removed from the wheelchair.



Instructions to charge the battery:

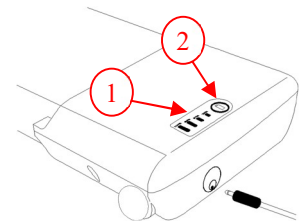
1. Switch the battery off.
2. If desired, remove the battery from the battery housing and prevent dirt or fluids from entering the charging socket.
3. Connect the charger plug to the battery pack ①.
4. Connect the charger mains plug into the wall socket.
5. The LED indicator on the battery charger will show the status of the charging process:
 - Red - Charging
 - Green - Standby / Fully Charged
6. Once the battery is fully charged, remove the battery charger from the wall socket and the battery.

3.7.1 Battery charge indicator

There are two battery charge indicators:

On the battery pack:

1. Press button ② on the battery pack.
2. The LED's of the battery charge indicator ① will indicate the battery charge level.



Operator console:

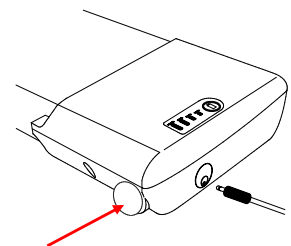
When the electric system is switched on, the battery indicator (2, §3.3) will indicate the battery charge level.

- All LEDs on: battery fully charged.
- Only red LED on or blinking: immediately recharge battery.

Because of the wiring, both indications can deviate a little bit. In that case, take the worst charge level indication.

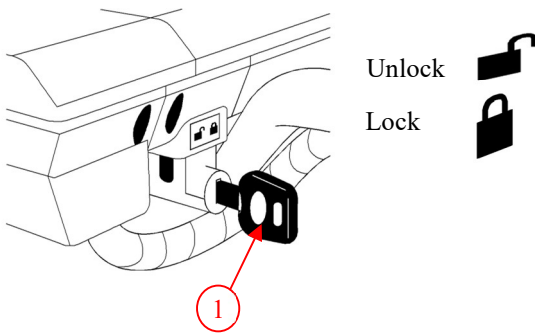
3.8 Switching the electric device On/Off

Press the on/off switch on the side of the battery.



3.9 Mounting / removing battery

The battery can be removed for easy charging away from the wheelchair.



To mount the battery:

1. Place the key ① and turn the key towards the unlock symbol.
2. Place the battery in the battery housing as far as possible. There is only 1 possible way to insert the battery.
3. Turn the key ① to the lock symbol.
4. Make sure that the battery is fixed well.
5. Remove the key ①. (Never remove the key while riding).

To remove the battery:

1. Place the key ①.
2. Turn the key ① to the unlock symbol.
3. Pull the battery gently out of the battery housing.

4 Maintenance

4.1 Time of maintenance

 CAUTION Risk of injuries and damage

Repairs and replacements may only be undertaken by trained persons and only genuine replacement parts of Vermeiren should be used.

i The last page of this manual contains a registration form for the specialist dealer to record each service.

The service frequency depends on the frequency and intensity of use. Contact your dealer to agree to a common timetable for inspection/maintenance/repair.

Read the user instructions of the applied battery charger regarding maintenance.

For the maintenance manual, refer to the Vermeiren website: www.vermeiren.com.

Before each use

Inspect the following points:

- All parts: present, undamaged and unworn.
- All parts: clean, see § 4.2.2.
- Wheels, seat, arm rests, footrests and headrest (if applied): well secured.
- Battery status: charge the battery when necessary, see §3.7.
- Operating console, battery, power module, motors, battery charger, lights and relevant cables: no damage such as wires that have become frayed, broken or exposed.
- Condition of wheels/tyres, see § 4.2.1.
- Condition of frame parts: no deformation, instability, weakness or loose connections.
- Seat, backrest, arm pads, calf pads and head rest (if applied): no excessive wear (like dented spots, damage or tears).

Contact your specialist dealer for possible repairs or part replacements.

Every month

If your wheelchair is stored for a longer period, you still need to charge the batteries every month. It is also possible to keep the battery charger connected to the battery and the mains during this period. For more information, see § 3.7.

Yearly or more often

Have your wheelchair inspected and serviced by your specialist dealer, at least once a year, or more often. The minimum maintenance frequency depends on use and should therefore be commonly agreed upon with your specialist dealer.

If stored

Make sure that your wheelchair is stored in a dry environment to prevent mould from growing, or the upholstery from being damaged.

4.2 Instructions for maintenance

4.2.1 Wheels and tyres

i Proper working of the brakes depends on the state of the tyres, that can change due to wear and contamination (water, oil, mud, ...).

- Keep your wheels free of wires, hair, sand and fibres.
- Check the profile of the tyres. If the tread depth is less than 1 mm, the tyres need to be replaced. Contact your specialist dealer for this matter.

4.2.2 Cleaning

CAUTION

Risk of damage by moisture

- Keep the operating console clean and protect it from water and rain.
- Never use a hose or high-pressure cleaner to clean the wheelchair.

Wipe all rigid parts of the wheelchair with a damp cloth (not drenched). If necessary, use a mild soap, suitable for varnishes and synthetics.

The upholstery can be cleaned with lukewarm water and a mild soap. Do not use abrasive cleaning agents to clean.

Keep the ventilation openings of the battery charger clean and free of accumulated dust. Blow away the dust and clean the battery charger enclosure with a slightly moistened cloth, if required.

4.2.3 Disinfection

CAUTION

Risk of damage

Disinfections may only be undertaken by trained persons. Consult your specialist dealer.

4.3 Troubleshooting

Even if you use your wheelchair properly, a technical problem may occur despite this. In this case, contact your local specialist dealer.



WARNING

Risk of injuries and damage to the wheelchair

- NEVER attempt to repair your wheelchair yourself.
- For failures in the operating console you need to contact your specialist dealer. He/She will decide if the console needs to be reprogrammed.

In case of failure, a fault code is displayed on the operating console, see §5.

The following symptoms may indicate a serious problem. Therefore, always contact your specialist dealer if you spot any of the following deviations:

- Strange sound;
- Frayed/damaged wiring harnesses;
- Cracked or broken connectors;
- Uneven tread wear at one of the tyres;
- Jerky movements;
- Wheelchair deflects to one side;
- Damaged or broken wheel assemblies;
- Wheelchair does not switch on (blown fuse);
- Wheelchair is powered but does not move, see 3.4.

4.4 Expected lifespan

The average lifespan of your wheelchair is 5 years. Depending on the frequency of use, driving circumstances and maintenance, the lifespan of your wheelchair will increase or decrease.

4.5 Reuse

Before reuse by another person, have the wheelchair disinfected, inspected and serviced according to the instructions in §4.1 and §4.2.

4.6 End of use

At end of life, you need to dispose of your wheelchair according to the local environmental legislation. The best way to do so, is to disassemble the wheelchair to facilitate the transport of recyclable parts.

5 Troubleshooting


WARNING

Risk of injuries and damage to the operating console or wheelchair

- NEVER attempt to repair the operating console yourself.
- For failures of the operating console, you need to contact your specialist dealer. He/She decides if the console needs to be reprogrammed.

In case of a possible problem, a system code is displayed by the blinking LEDs of the battery status indicator, see §3.3 (2). The following table summarises the possible system codes. Some problems can be solved by yourself. For all problems marked in grey, consult your specialist dealer.

Table 2: Troubleshooting

Code	Problem	Meaning
1	Empty battery / bad connection to battery	Check the connections to the batteries. If the connections are good, try charging the batteries.
2	Bad connection of left motor or encoder	Check the connections to the left hand motor and encoder.
3	Faulty wiring on left hand motor / stall condition	
4	Bad connection of right motor or encoder	Check the connections to the right hand motor and encoder.
5	Faulty wiring on right hand motor / stall condition	
7	Joystick fault	Make sure that the joystick is in the centre position before switching on the controller.
7 + S ¹	Communication fault	Make sure that the joystick module cable is securely connected and not damaged.
8	Possible controller fault	Make sure that all connections are secure.
9	Parking brake bad connection	Check the parking brake and motor connections. Make sure the controller connections are secure.
10	Excessive voltage	Excessive voltage is usually caused by a poor battery connection. Check the battery connections.

¹S = Flashing Speed Indicator LEDs.

6 Technical specifications

The technical details below are only valid for this wheelchair, at standard settings and optimal ambient conditions. Take these details into account during use. The values are no longer applicable if your wheelchair has been modified, damaged, or is severely worn. Be aware that the driving performance is influenced by ambient temperature, humidity, slopes (driving up/down), type of surface and battery status.

Table 1: Technical specifications

Brand	Vermeiren
Type	Electric wheelchair, Class A
Model	Verso
Maximum occupant mass	130 kg

Description	Dimensions
Overall length with leg rest	1078 mm (in shortest seat depth)
Overall width (depending on seat width)	610 mm 630 mm 650 mm 670 mm
Overall height	937 mm – 1002 mm
Total mass	31,3 kg
Mass of heaviest part	Rear frame: 16,2 kg
Energy consumption *	12,8 Ah: 15 km 17,5 Ah: 21 km
Rated slope	3°
Obstacle climbing	15 mm
Maximum speed forward	6 km/h
Max. braking distance from max. speed	1 m
Seat plane angle	5°
Effective seat depth	420 - 480 mm
Effective seat width	440 mm 460 mm 480 mm 500 mm
Seat surface height at front edge	521 mm
Backrest angle	5°
Backrest height	400 – 420 – 440 – 460 – 480 mm
Footrest to seat distance	370 – 500 mm
Leg to seat surface angle	105°
Armrest to seat distance	150 – 210 mm
Front location of armrest structure	322,5 mm – 370 mm
Minimum turning radius	1145 mm
Ground clearance	61 mm
Diameter rear wheels	12"
Type of rear wheels **	PU tyres
Diameter front wheels	200x50



Brand	Vermeiren
Type	Electric wheelchair, Class A
Model	Verso
Maximum occupant mass	130 kg

Type of front wheels **	PU tyres
Electrical description	
Battery	12,8 Ah 17,5 Ah
Driving motors	2 x 250W
Blow fuse	20 A
Strength tests according to	ISO 7176-8
Tests of power and control system according to	ISO 7176-14
Ignitability of upholstery according to	EN1021-2:2006
EMC compliance	ISO 7176-21
Degree of protection	IPX4
Noise level	< 65 dB (A)
Storage and use temperature	+5 °C ~ +41 °C
Operating temperature for electronics	-10°C ~ +40°C
Storage and use humidity	30% ~ 70%

We reserve the right to introduce technical changes. Measurement tolerance ± 15 mm / 1,5 kg / 1,5° .

*** The theoretical driving distance will be reduced if the wheelchair is used frequently on slopes, rough ground or to climb curbs.**

****Since different tyres may be used, please note the correct operating pressure of the tyres you use. For other tyre diameters refer to your specialist dealer.**

Table des matières

Table des matières	1
Avant-propos	2
1 Votre produit	3
1.1 Options.....	3
2 Avant l'utilisation	4
2.1 Usage prévu.....	4
2.2 Consignes générales de sécurité.....	4
2.3 Les symboles sur le fauteuil roulant.....	5
2.4 Transport.....	5
2.5 Montage/Démontage.....	6
2.6 Première utilisation et stockage	9
3 Utilisation de votre fauteuil roulant	10
3.1 Première utilisation.....	10
3.2 Rouler à l'extérieur.....	10
3.3 Console de commande	12
3.4 Frein et levier de déblocage.....	13
3.5 Se déplacer du/vers le fauteuil roulant.....	13
3.6 Réglages de confort.....	14
3.7 État de la batterie et recharge.....	16
3.8 Mise en marche et arrêt de l'appareil électrique.....	17
3.9 Montage/démontage de la batterie	18
4 Entretien	19
4.1 L'entretien	19
4.2 Instructions d'entretien	20
4.3 Résolution des problèmes.....	20
4.4 Durée de vie attendue.....	21
4.5 Réutilisation	21
4.6 Mise au rebut	21
5 Résolution des problèmes	22
6 Caractéristiques techniques	23

Avant-propos

Félicitations ! Vous êtes à présent propriétaire d'un fauteuil roulant Vermeiren !

Ce fauteuil roulant a été fabriqué par un personnel qualifié et responsable. Il a été conçu et produit conformément aux normes de qualité élevées appliquées par Vermeiren.

Merci de la confiance que vous accordez aux produits de Vermeiren. Ce manuel est destiné à vous aider dans l'utilisation de ce fauteuil roulant et de ses options de fonctionnement. Veuillez le lire attentivement. Vous pourrez ainsi vous familiariser avec le fonctionnement, les capacités et les limites de votre fauteuil roulant.

Si vous avez encore des questions après la lecture de ce manuel, n'hésitez pas à prendre contact avec votre revendeur spécialisé. Il vous aidera volontiers.

Remarque importante

Pour assurer votre sécurité et prolonger la durée de vie de votre produit, prenez-en grand soin, et faites-le contrôler et entretenir régulièrement.

Ce manuel est le reflet des derniers développements du produit. Vermeiren a le droit d'apporter des modifications à ce type de produit sans être tenu d'adapter ou de remplacer des produits similaires fournis précédemment.

Les images sont fournies afin de clarifier les instructions de ce manuel. Les détails du produit illustré peuvent diverger de votre produit.

Informations disponibles

Sur notre site Internet <http://www.vermeiren.com/>, vous trouverez toujours la version la plus récente des informations suivantes. Veuillez consulter régulièrement ce site Internet pour connaître les éventuelles mises à jour.

Les personnes malvoyantes peuvent télécharger la version électronique de ce manuel et la lire au moyen d'une application de texte-parole.



Ce manuel d'utilisation
Pour l'utilisateur et le revendeur spécialisé



Instructions d'installation (instructions relatives aux réglages des détails et au (dé-)montage)
Pour le revendeur spécialisé



Manuel d'entretien des fauteuils roulants
Pour le revendeur spécialisé



Déclaration de conformité CE

1 Votre produit



- | | |
|-------------------------|--|
| 1. Dossier | 7. Roues avant |
| 2. Console de commande | 8. Roues arrière/Roues motrices avec moteurs |
| 3. Accoudoir | 9. Batterie |
| 4. Siège | 10. Croix |
| 5. Repose-pieds | 11. Plaque d'identification |
| 6. Palette repose-pieds | |

1.1 Options

- Prenez contact avec votre revendeur spécialisé pour connaître les options possibles. Il vous conseillera volontiers.


2 Avant l'utilisation

2.1 Usage prévu

Ce paragraphe vous donne une brève description de l'usage prévu de votre fauteuil roulant. Des avertissements pertinents ont également été ajoutés aux instructions dans les autres paragraphes. Nous aimerions ainsi attirer votre attention sur un usage inapproprié éventuel qui pourrait survenir.

- Ce fauteuil roulant convient à un usage à l'intérieur et à l'extérieur.
- Ce fauteuil roulant est conçu et fabriqué uniquement pour le transport d'une (1) personne d'un poids maximum de 130 kg. Il n'est pas destiné au transport de marchandises ou d'objets, ni à tout autre usage que celui décrit précédemment.
- Il peut être commandé par l'utilisateur assis dans le fauteuil roulant ou être poussé par un accompagnateur. Vous ne devez PAS utiliser ce fauteuil roulant sans accompagnateur si vous souffrez de handicaps physiques ou mentaux qui pourraient vous mettre, vous-même ou d'autres personnes, en danger pendant la conduite. C'est pourquoi vous devez d'abord consulter votre médecin et vous assurer que votre revendeur spécialisé est informé de cet avis.
- Utilisez uniquement des accessoires et des pièces de rechange approuvés par Vermeiren.
- Consultez également les détails techniques et les limites de votre fauteuil roulant au chapitre 6.
- La garantie sur ce produit est basée sur une utilisation et un entretien normaux, tels que décrits dans le présent manuel. Les dommages à votre produit dus à un usage inapproprié ou à un manque d'entretien auront pour effet d'annuler la garantie.

2.2 Consignes générales de sécurité

 ATTENTION Risques de dommages corporels ou matériels

Veuillez lire et suivre les instructions stipulées dans le présent manuel d'utilisation. Autrement, vous pourriez vous blesser ou votre fauteuil roulant pourrait être endommagé.

Tenez compte des avertissements généraux suivants pendant l'emploi :

- N'utilisez pas votre fauteuil roulant si vous êtes sous l'influence de l'alcool, de médicaments ou d'autres substances qui peuvent influencer vos capacités de conduite.
- N'oubliez pas que certaines parties de votre fauteuil roulant peuvent devenir très chaudes ou très froides en fonction de la température ambiante, des rayons du soleil, de dispositifs de chauffage ou du moteur d'entraînement pendant l'utilisation. Faites par conséquent attention lorsque vous les touchez. Portez des vêtements de protection s'il fait froid. Après utilisation, attendez jusqu'à ce que le fauteuil roulant/moteur soit refroidi.
- Avant de démarrer le fauteuil roulant, prenez conscience de l'environnement/situation où vous vous trouvez. Adaptez-y votre vitesse avant de démarrer. Nous vous conseillons d'utiliser la vitesse la plus basse pour rouler à l'intérieur. Dans le cadre d'un usage à l'extérieur, vous pouvez passer à une vitesse appropriée dans laquelle vous vous sentez à l'aise et en sécurité.
- Tenez TOUJOURS compte du fait que votre fauteuil roulant peut s'arrêter brutalement en raison d'une batterie déchargée ou d'une sécurité qui empêche tout dégât supplémentaire au fauteuil roulant. Vérifiez également les causes possibles mentionnées au § 4.3. Mettez votre ceinture de sécurité pour éviter les blessures.
- Votre fauteuil roulant a subi un test de conformité électromagnétique et est conforme à cette norme, cf. chapitre 6. Les sources de champ magnétique, comme les téléphones mobiles, les générateurs électriques ou de sources d'énergie à haute puissance, peuvent cependant influencer la performance de conduite de votre fauteuil électrique. L'électronique de votre

fauteuil électrique peut à son tour également affecter d'autres appareils électroniques comme les systèmes d'alarme des magasins et les portes automatiques. Nous vous recommandons par conséquent de vérifier si votre fauteuil roulant ne présente pas de dommage ou d'usure qui pourrait encore augmenter l'interférence (cf. également le chapitre 4).

- Roulez uniquement sur des surfaces planes où les deux roues motrices touchent le sol et où il y a un contact suffisant pour utiliser le fauteuil roulant prudemment.
- Ne réalisez pas de modifications ou de remplacements aux points d'attache du fauteuil roulant ou aux composants ou éléments du châssis et de la structure sans consulter le fabricant du fauteuil roulant.
- Assurez-vous que vos mains, vêtements, ceintures, boucles ou bijoux ne puissent pas se coincer dans les roues ou dans d'autres parties mobiles pendant l'utilisation.

Sachez que votre fauteuil roulant peut interférer avec certains types de systèmes antivol, en fonction des réglages utilisés. Cela peut provoquer le déclenchement de l'alarme du magasin.

Tout incident grave [MDR (EU) 2017/745 §2 (65)] survenu en relation avec le dispositif doit être signalé au fabricant et à l'autorité compétente de l'État membre dans lequel l'utilisateur et/ou le patient est établi.

2.3 Les symboles sur le fauteuil roulant

Les symboles de la liste suivante concernent votre fauteuil roulant. Vous trouverez les symboles dans les normes ISO correspondantes (ISO 7000, ISO 7001 et CEI 417).



Poids maximum de l'utilisateur en kg



Usage à l'intérieur uniquement (chargeur de batterie)



Déclivité sûre maximale en ° (degrés).



Vitesse maximale



Indication du type



Risque de coincement

2.4 Transport

ATTENTION

Risque de dommages

Prenez des mesures pour protéger le fauteuil roulant contre tout endommagement pendant le transport.

2.4.1 Dégagement de l'espace

Utilisez la console de commande pour entraîner le fauteuil roulant à sa destination.

Vous pouvez également mettre le fauteuil roulant en mode déblocage (cf. §3.4) et utiliser la barre de poussée pour le déplacer.

2.4.2 Transport par avion

Lorsque vous transportez le fauteuil par avion, verrouillez et débranchez la batterie avant de le remettre au personnel de l'aéroport (voir §3.9 et §3.8). La batterie peut rester dans le fauteuil. Consultez votre compagnie aérienne pour connaître la procédure à suivre.



2.4.3 Transport par véhicule, comme bagage

La meilleure façon de transporter votre fauteuil roulant électrique dans la voiture est de le conduire en utilisant des rampes. Si vous n'avez pas l'habitude de conduire le fauteuil roulant électrique à l'aide de rampes, vous pouvez mettre le fauteuil roulant en position neutre et le pousser dans la voiture à l'aide des rampes. Si nécessaire, démontez le fauteuil roulant.

1. En tant qu'utilisateur du fauteuil roulant, réalisez le transfert vers un siège de véhicule, cf. §3.5.
2. Retirez toutes les pièces mobiles avant le transport (repose-pieds, supports d'accoudoir, etc.).
3. Rangez les parties mobiles en toute sécurité derrière le siège passager ou dans le coffre.
4. Conduisez ou poussez le fauteuil roulant électrique dans la voiture en utilisant des rampes, ou soulevez le fauteuil roulant dans la voiture avec l'aide de 2 personnes en saisissant les parties fixes du châssis.
5. Attachez solidement les parties solides du châssis dans le véhicule.
6. Placez le fauteuil roulant en mode conduite (en enclenchant les freins de stationnement) et vérifiez que la console de commande est éteinte.

2.5 Montage/Démontage



ATTENTION

Risque de dommages corporels

- Veillez à ne pas vous coincer les doigts, des vêtements ou des boucles pendant le (dé-)montage.

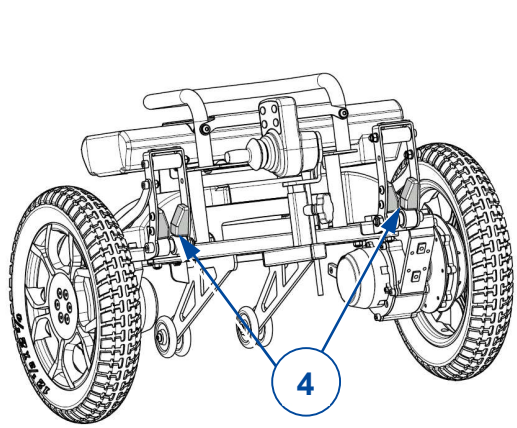
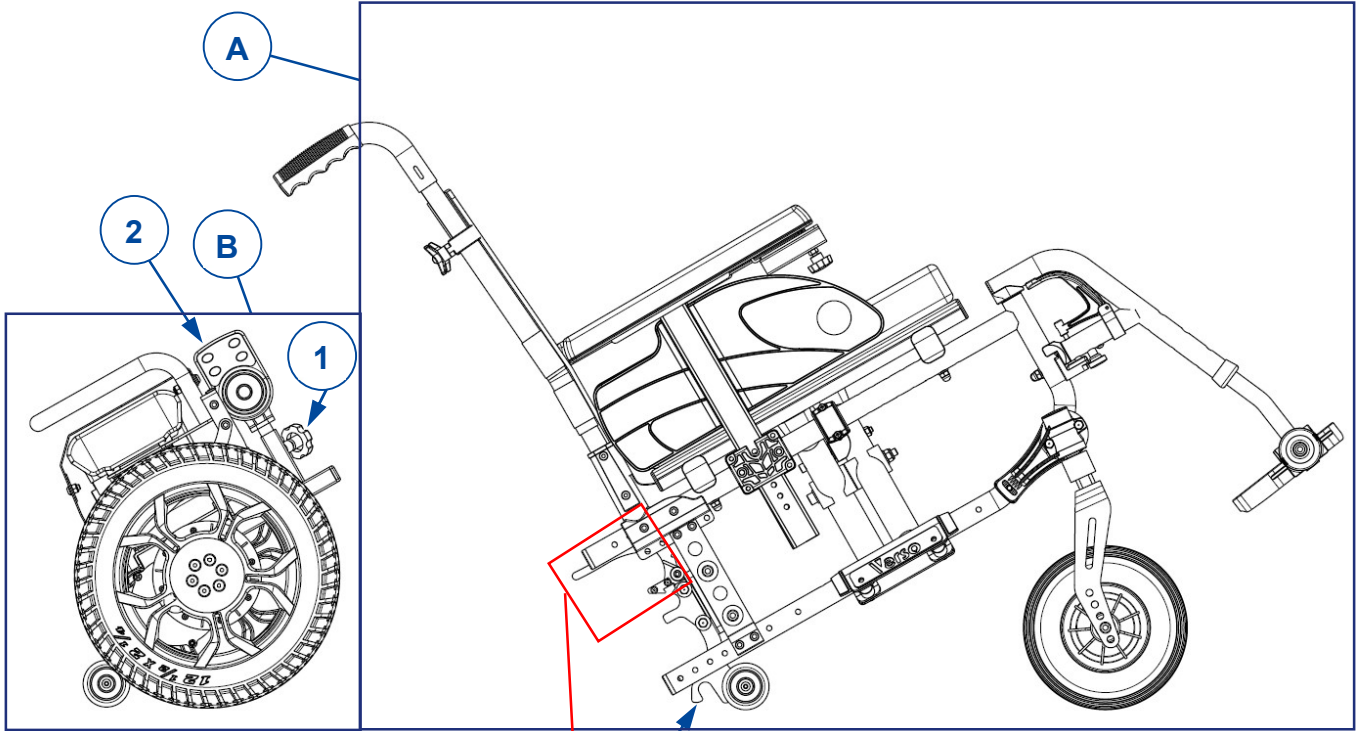
Votre revendeur vous livre le fauteuil roulant entièrement monté et vous explique les différents éléments de fonctionnement et leur utilisation. Nous fournissons également une explication plus détaillée des différentes parties pour le transport

Pour assembler le fauteuil roulant électrique :


1. Dépliez le cadre d'assise (A).
2. Placez le cadre d'assise sur les roues avant et les roues de support arrière.
3. Placez l'unité de transmission (B) derrière le cadre d'assise.
4. Dévissez la molette (1) et retirez la console de commande (2) de l'unité de transmission. Placez provisoirement la console dans un endroit sûr, mettez-la par exemple sur le dossier.
5. Placez les crochets du cadre du siège (3) sur les tiges (4) de l'unité de transmission.
6. Poussez le cadre d'assise vers le bas jusqu'à ce qu'un clic audible se fasse entendre et que le cadre soit solidement fixé à l'unité de transmission, aussi bien à gauche qu'à droite. Vérifier que les crochets (8) sont bloqués en position basse. Si le cadre d'assise ne s'enclenche pas automatiquement, placer le cadre sur l'unité de transmission et pousser les crochets (8) vers le bas manuellement.
7. Montez les supports d'accoudoir (§3.6.2).
8. Montez les repose-pieds (§0).
9. Faites glisser la console de commande dans le support sur l'accoudoir (5). Serrez la molette (6) et attachez le câble avec les pinces (7).

Pour démonter le fauteuil roulant électrique :

1. Libérez le câble des pinces situées sur l'accoudoir. Dévissez la molette (6) du support de la console de commande et faites glisser la console vers l'extérieur. Placez provisoirement la console dans un endroit sûr.
2. Tirez les crochets (8) vers le haut des deux côtés du cadre inférieur. L'unité de transmission est maintenant libérée du cadre et bascule vers l'arrière sur ses roues de support.
3. Soulevez le cadre d'assise et enlevez-le de l'unité de transmission.
4. Retirez les supports d'accoudoir.
5. Enlevez les repose-pieds.
6. Pliez le cadre d'assise.
7. Placez la console de commande (2) dans le support prévu à cet effet sur l'unité de transmission et serrez la molette (1).



2.6 Première utilisation et stockage

 ATTENTION Risque d'endommagement de la batterie

- Ne déchargez jamais complètement la batterie.
- N'interrompez pas le cycle de recharge ; débranchez uniquement le chargeur de batterie lorsque la batterie est complètement chargée.
- Assurez-vous que votre fauteuil roulant est entreposé dans un endroit sec pour éviter la formation de moisissure et l'endommagement du rembourrage.
- Vérifiez les détails techniques pour le stockage, cf. chapitre 6.


Assurez-vous que la batterie est complètement chargée avant d'utiliser le fauteuil roulant, demandez au revendeur si cela a déjà été fait ou non. Pour recharger, suivez les instructions de recharge au § 3.7.

3 Utilisation de votre fauteuil roulant

 **AVERTISSEMENT** Risque de dommages corporels

- Lisez d'abord les chapitres précédents et informez-vous à propos de l'usage prévu. N'utilisez PAS votre fauteuil roulant sans avoir d'abord lu et bien compris toutes les instructions.
- Lisez également les instructions du manuel relatif à la console l'opérateur et de celui relatif au chargeur de la batterie !
- En cas de doutes ou de questions, n'hésitez pas à prendre contact avec votre revendeur spécialisé local, votre prestataire de soins ou votre conseiller technique qui pourra vous aider.

3.1 Première utilisation


 **ATTENTION** Risque de dommages corporels et matériels

- Tenez toujours compte de l'amplitude du repose-pied et de la console de commande pour ne pas blesser les personnes ou endommager les objets aux alentours.
- Débranchez toujours le chargeur de la batterie du fauteuil roulant avant de démarrer

- i**
- Assurez-vous d'être bien familiarisé avec le fonctionnement du fauteuil roulant avant de l'utiliser dans des endroits très fréquentés et éventuellement dangereux. Exercez-vous d'abord dans un endroit spacieux et ouvert, avec peu de personnes aux alentours.
 - Examinez les effets d'un déplacement du centre de gravité sur le comportement du fauteuil roulant, par exemple sur des déclivités ascendantes ou descendantes, sur un sol en pente latéralement, ou en surmontant des obstacles. Demandez l'aide d'un accompagnateur.
 - La surface du dispositif de commande chauffe légèrement pendant l'emploi.
 - Lors de la marche arrière, la vitesse est réduite.

1. Assurez-vous que :
 - le fauteuil roulant est sur une surface plane ;
 - la batterie est complètement chargée, cf. § 3.7 ;
 - Le moteur est couplé, cf. § 3.4;
 - le fauteuil roulant est adapté à vos besoins et à votre confort, cf. §3.6;
 - vous avez la bonne position assise, cf. § 3.5.
2. Suivez les instructions du manuel de la console de commande.
3. Mettez le fauteuil roulant en marche.
4. Tournez la commande sur la vitesse minimale.
5. Exercez-vous à conduire et réalisez les réglages au fauteuil roulant.
6. Quand vous vous sentirez suffisamment à l'aise, essayez de rouler à une vitesse plus élevée.
7. Essayez ensuite de tourner, en marche avant et en marche arrière. Répétez ces manœuvres quelques fois.
8. Assurez-vous que votre fauteuil roulant est bien stable quand vous arrêtez la course.
9. Éteignez le fauteuil roulant.


3.2 Rouler à l'extérieur

 **AVERTISSEMENT** Risque d'accident - Adaptez votre comportement de conduite et votre vitesse.

- Respectez le code de la route, il peut différer d'un pays à l'autre. Ceci est valable pour la conduite sur les trottoirs, les routes ou les chaussées pavées ou non-pavées.
- Ne roulez pas sur des routes où le trafic dense.
- Tenez compte des conditions climatiques. Évitez de rouler par temps humide, chaleur extrême, neige, verglas et températures inférieures à zéro. Cf. les spécifications techniques au chapitre 6.

- Assurez-vous d'être bien visible, également pendant les heures de clarté, en utilisant des vêtements fluorescents ou votre propre éclairage à l'avant et à l'arrière du fauteuil roulant.
- Tenez compte des autres usagers de la route pour qui votre fauteuil roulant peut constituer un obstacle. Accordez une attention spéciale au moment de tourner et de reculer. Si vous n'êtes pas habitué à rouler en marche arrière, exercez-vous d'abord dans un endroit dégagé. Indiquez la direction que vous avez l'intention de prendre avant de tourner.
- Essayez de rouler tout droit dans les passages étroits pour éviter de vous coincer.
- Tenez compte de la distance de freinage. N'oubliez pas que la distance de freinage dépend de la vitesse, de la surface, des conditions climatiques et du poids de l'utilisateur.

3.2.1 Prenez garde aux pentes, bordures, obstacles ou rampes

 ATTENTION Risque de blessures en cas de mouvement inattendu

- Attachez votre ceinture de sécurité lorsque vous êtes assis dans le fauteuil roulant.
 - Faites attention si la route est sablonneuse, si le sol est mou, et aux trous ou aux fissures dans la route qui peuvent coincer les roues ou diminuer la traction des roues motrices.
 - Ne roulez PAS sur des pentes, des obstacles, des marches ou des bordures plus larges que la dimension décrite dans les spécifications techniques au chapitre 6.
 - Abordez toujours un trottoir par l'avant.
 - Ne mettez pas votre fauteuil roulant en mode déblocage dans une pente. Le fauteuil roulant peut commencer à se déplacer et vous blesser, vous ou les personnes aux alentours.
 - N'utilisez pas votre fauteuil roulant dans un escalator ou dans des escaliers.
 - Utilisez uniquement les rampes approuvées par Vermeiren et ne dépassez pas leur charge maximale.
 - Pour franchir des obstacles ou des pentes en toute sécurité, mettez le fauteuil roulant en position relevée.
- i** Lorsque vous vous arrêtez dans une pente, le frein sera automatiquement actionné pour empêcher le fauteuil roulant d'avancer ou de reculer.

ATTENTION Risque de dommages

- Stationnez toujours votre fauteuil roulant électrique sur des surfaces horizontales planes et à des endroits facilement accessibles.
- Si nécessaire, accélérez légèrement le fauteuil roulant pour monter une pente, un obstacle, un trottoir ou une rampe. Prenez garde au danger de recul.
- Assurez-vous que le fauteuil roulant ne touche pas le sol ou la rampe lors de l'inclinaison.
- Il faut savoir que la distance de freinage en descente peut être nettement plus importante que sur un terrain plat.

Procédure

- Commencez à conduire selon les instructions du § 3.1, étape 1.
- Pour monter ou descendre le fauteuil roulant en cas d'escaliers/marches, utilisez un équipement de levage ou une rampe. Si ceux-ci ne sont pas disponibles, il peut être soulevé manuellement par au moins deux personnes, saisissant le châssis fermement des deux mains. N'utilisez pas le dossier, la (les) palette(s) repose-pied(s), les accoudoirs, ou encore les roues pour saisir le fauteuil roulant.
- Prenez garde aux obstacles ou aux pentes :
 1. Réglez le fauteuil roulant à sa position la plus stable, cf. § 3.5.
 2. Roulez le plus lentement possible pour gérer l'obstacle ou la pente.

3.3 Console de commande

i Mettez le joystick en position neutre (au centre) avant d'appuyer sur le bouton marche/arrêt pour ne pas bloquer l'électronique. Pour débloquer, éteignez et allumez la console de commande.

1. Bouton Marche/Arrêt
2. Indicateur de charge de la batterie
3. Indicateur de vitesse
4. Klaxon
5. Bouton de diminution de la vitesse
6. Bouton d'augmentation de la vitesse
7. Joystick



3.3.1 Protections techniques


Pour votre propre sécurité, et éviter que le fauteuil roulant ne soit endommagé, les mouvements sont surveillés par l'électronique. Cela peut entraîner une diminution de la vitesse ou un arrêt complet.

- Pour éviter une décharge accidentelle de la batterie, votre fauteuil roulant est équipé d'un système d'arrêt automatique. Ce système éteint la console automatiquement lorsqu'elle n'est pas utilisée pendant une période prolongée. Si cela se produit, rallumez simplement votre console.
- Assurez-vous que le levier de déblocage est en position de freinage AVANT de mettre le fauteuil roulant en MARCHÉ. Les freins électromagnétiques ne fonctionnent PAS si le fauteuil roulant est en mode déblocage. Cela est indiqué sur la console de fonctionnement. La conduite est impossible.

3.3.2 Conduite

1. Appuyez sur le bouton Marche/Arrêt (1) pour mettre le fauteuil roulant en marche.
2. Si les voyants de l'indicateur de charge de la batterie (2) et de l'indicateur de vitesse (3) s'allument, le fauteuil roulant est sous tension et prêt à fonctionner.
3. Vérifiez l'indicateur d'état de la batterie. Chargez la batterie si nécessaire (cf. §3.7).
4. Réglez la vitesse de conduite : diminuez la vitesse avec le bouton de diminution de la vitesse (5), ou augmentez la vitesse avec le bouton d'augmentation de la vitesse (6).
5. Commencez à faire bouger le fauteuil roulant en actionnant doucement le joystick vers l'avant/arrière.
6. La vitesse augmentera lorsque vous éloignerez le joystick du centre.
7. Pour tourner à gauche ou à droite, poussez le joystick vers la gauche ou la droite.
8. Pour freiner, déplacez le joystick en position neutre.
9. Appuyez sur le klaxon (4) pour alerter les autres usagers de la route si nécessaire.
10. Après l'arrivée, vérifiez l'état de la batterie et appuyez sur le bouton Marche/Arrêt pour éteindre le fauteuil roulant.
11. Chargez la batterie si nécessaire.

3.4 Frein et levier de déblocage

 ATTENTION Risque de dommages corporels ou matériels

- N'actionnez le levier de déblocage que lorsque votre fauteuil est à l'ARRÊT ! Un accompagnateur doit actionner le levier de déblocage. Ne l'actionnez JAMAIS en position assise.
 - N'utilisez pas le mode déblocage dans les pentes et inclinaisons.
- i** Assurez-vous que le levier de déblocage est en position de freinage AVANT de mettre le fauteuil roulant en MARCHE. Les freins électromagnétiques ne fonctionnent PAS si le fauteuil roulant est en mode déblocage. Cela est indiqué sur la console de fonctionnement. La conduite est impossible.

Votre fauteuil est équipé de freins électromagnétiques. Le fonctionnement des freins dépend de la position du levier de déblocage (1).

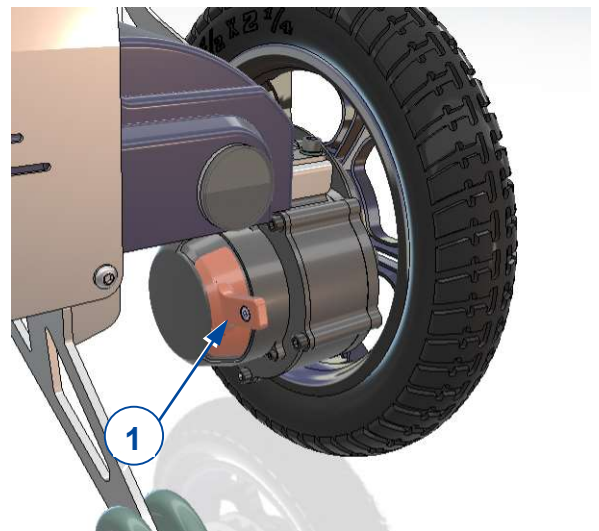
Les freins EM ne fonctionnent automatiquement **que si** le levier de déblocage (1) est en position de freinage. Dans cette situation, les freins commencent à freiner si :

- le fauteuil roulant est ÉTEINT ;
- le fauteuil roulant est ALLUMÉ et le joystick est libéré.


Libérer le joystick permet au fauteuil roulant de s'arrêter en douceur et active les freins.

Fonctionnement du levier de déblocage :

- Tournez le levier VERS LE HAUT pour mettre le fauteuil roulant en mode déblocage. Le moteur est alors déconnecté. Le fauteuil roulant peut être déplacé manuellement.
- Tournez les leviers VERS LE BAS pour connecter le moteur à l'entraînement. Ceci doit être effectué avant de démarrer le fauteuil roulant.



3.5 Se déplacer du/vers le fauteuil roulant

 ATTENTION Risque de dommages corporels ou matériels

- Si vous ne pouvez pas réaliser le transfert de manière sûre, demandez à quelqu'un de vous aider.
- Ne vous reposez pas sur la ou les palettes repose-pieds pendant le transfert de ou vers le fauteuil roulant.

Transfert

1. Positionnez le fauteuil roulant aussi près de vous que possible lorsque vous êtes assis sur une chaise, un fauteuil, un siège ou un lit.
2. Actionnez les freins en tournant le levier de déblocage en position de freinage, cf. § 3.4.
3. Repliez la ou les palettes repose-pieds vers le haut pour éviter de vous appuyer sur elles.
4. Si nécessaire, retirez un accoudoir pour faire de la place, cf. § 3.6.2.
5. Faites le transfert du ou vers le fauteuil roulant à la force de vos bras, ou avec l'aide d'un ou plusieurs accompagnateurs ou d'un équipement de levage.

S'asseoir sur le fauteuil roulant

1. Asseyez-vous sur le siège, le bas du dos contre le dossier.

2. Abaissez la ou les palettes repose-pieds et mettez-y les pieds.
3. Remplacez l'accoudoir, le cas échéant.
4. Assurez-vous que le haut des jambes est horizontal et que les pieds sont dans une position confortable. Réglez si nécessaire.
5. Assurez-vous que vos bras sont pliés et reposent confortablement sur les manchettes. Ajustez si nécessaire.

Réglez en position stable

Pour le transport et quand vous devez franchir des obstacles, le fauteuil roulant doit être réglé pour maximiser sa stabilité :

- Dossier vertical
- Repose-pieds replié

3.6 Réglages de confort



ATTENTION

Risque de dommages corporels ou matériels

- Les réglages de confort suivants peuvent être effectués par l'accompagnateur ou le personnel soignant. Tous les autres réglages sont effectués par votre revendeur spécialisé, conformément aux instructions d'installation, cf. l'avant-propos.
- Veiller à ne pas vous coincer les doigts, des vêtements ou des boucles pendant le réglage.

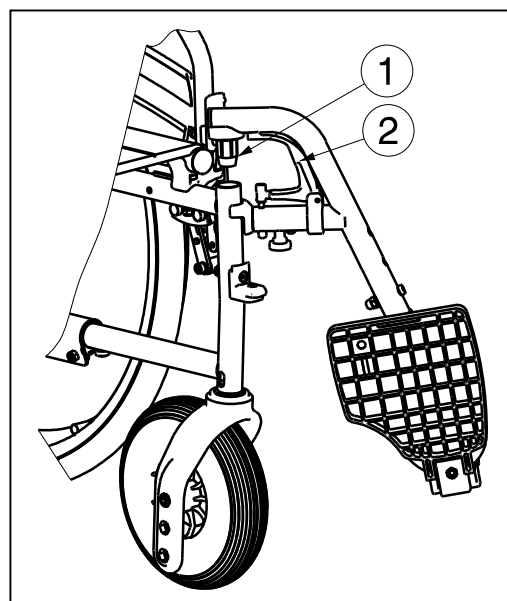
3.6.1 Montage et démontage des repose-pieds

Le montage des repose-pieds s'effectue comme suit :

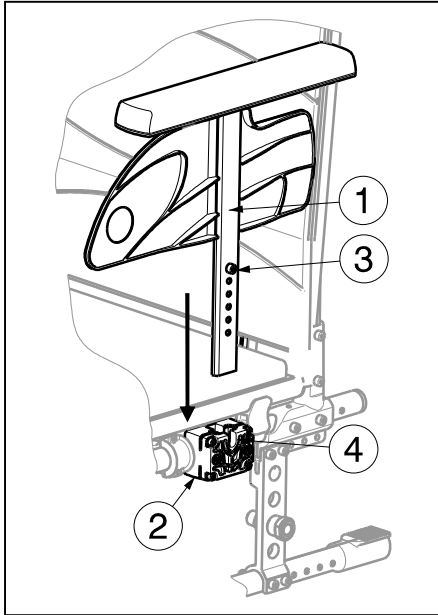
1. Maintenez le repose-pieds sur le côté, à l'extérieur du cadre du fauteuil roulant, et placez le capuchon du tube ① dans le cadre.
2. Basculez le repose-pieds vers l'intérieur jusqu'à ce qu'il se bloque en position.
3. Basculez la palette repose-pieds vers le bas.

Pour retirer les repose-pieds :

1. Tirez le levier ②.
2. Faites pivoter le repose-pieds vers l'extérieur du fauteuil roulant jusqu'à ce qu'il se détache du guidage.
3. Retirez le repose-pieds par le capuchon du tube ①.

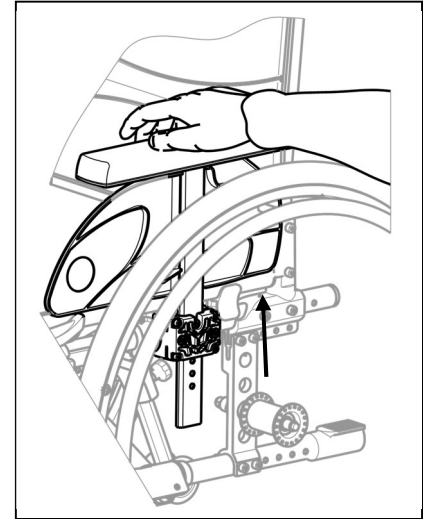


3.6.2 Montage et démontage des accoudoirs



Les accoudoirs du fauteuil roulant peuvent être montés en suivant les instructions.

1. Montez l'accoudoir ① dans le support d'accoudoir ② jusqu'à ce que la vis ③ s'insère dans la douille ④.
2. Assurez-vous que l'accoudoir ① est bien fixé.



Pour retirer l'accoudoir :

1. Saisissez la manchette de l'accoudoir et tirez doucement sur l'accoudoir pour le sortir de son support.

3.6.3 Hauteur du dossier

La hauteur du dossier peut être réglée dans 5 positions.

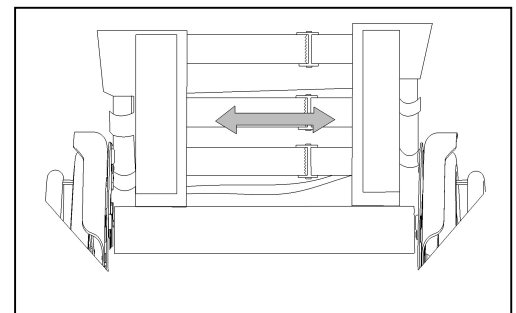
1. Retirez la molette (1).
2. Faites glisser le rembourrage du dossier vers le haut/bas jusqu'à la hauteur souhaitée. Veillez à ce que le trou pour la molette dans le tube du cadre soit aligné avec un des trous du rembourrage.
3. Remettez la molette en place et serrez-la.



3.6.4 Support de dossier

Le dossier du fauteuil roulant est doté d'un système de suspension avec des bandes Velcro ajustables, pour régler la flexibilité du dossier.

1. Tirez le coussin du dossier au départ des bandes Velcro du dossier.
2. Desserrez les bandes Velcro.
3. Tirez la bande respective dans la position souhaitée. La tension des ceintures individuelles peut varier et le support souhaité du dossier peut être réglé.
4. Remettez le coussin pour le dos sur le dossier en commençant par l'avant et en terminant par l'arrière.
5. Fermez les raccords en Velcro en pressant à la main le coussin contre le dossier.
6. Assurez-vous que toutes les sangles sont bien attachées avec le Velcro.



3.6.5 Hauteur des poignées de poussée

Les poignées de poussée peuvent être réglées sur une distance de 60 mm :

1. Desserrez la molette (1).
2. Déplacez la poignée vers le haut/bas à la hauteur désirée.
3. Resserrez la molette (1).
4. Répétez pour l'autre poignée. Assurez-vous que les deux poignées sont bien serrées.



3.7 État de la batterie et recharge



AVERTISSEMENT

Risque de blessures et de dommages dus au feu

- Utilisez uniquement le chargeur de batterie fourni avec le fauteuil roulant. L'utilisation de tout autre chargeur peut être dangereuse (risque d'incendie).
- Le chargeur de batterie est uniquement destiné à la charge des batteries fournies avec le fauteuil roulant, et non à celle d'autres batteries.
- N'apportez aucune modification aux différentes pièces, comme les câbles, prises ou chargeur de batterie. N'ouvrez et ne changez jamais la batterie ou les points de raccordement.
- Protégez la batterie et son chargeur des flammes, des températures élevées et basses (cf. chapitre 6), de l'humidité, des rayons du soleil et des chocs importants (par exemple chute). N'utilisez PAS la batterie si cela a été le cas.
- Chargez la batterie au moyen du chargeur, à l'intérieur, dans un espace bien aéré et hors de la portée des enfants.

ATTENTION

Risque de dommages

- L'autodécharge de la batterie et le courant de repos des utilisateurs connectés videront lentement la batterie. La batterie peut subir des dommages irréversibles si elle est entièrement déchargée. Assurez-vous par conséquent de la recharger à temps (cf.3.7).
- Lisez les instructions de stockage et d'entretien au chapitre 4 et les détails techniques au chapitre 6.
- Ne rechargez pas les batteries en dessous de 0°C. Déplacez la batterie à un endroit plus chaud et démarrez la recharge.
- Débarrassez le point de raccordement de la batterie de toute poussière et autre contamination.
- En cas de problème empêchant la charge de la batterie conformément à ces instructions, veuillez prendre contact avec votre revendeur spécialisé.

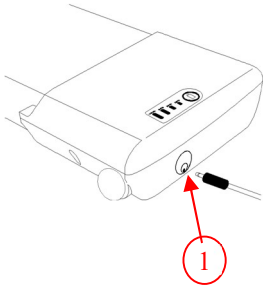
Pour toute information sur l'indication de l'état de la batterie, veuillez lire le § 3.7.

- i** Il est recommandé de débrancher le chargeur de la batterie du secteur quand il n'est pas utilisé. Ceci afin d'empêcher toute consommation d'énergie inutile.

Vérifiez toujours que la batterie n'est pas endommagée avant de la charger. Appuyez sur le bouton indicateur de charge pendant 2 secondes pour mettre la batterie en marche. Si aucun voyant de l'indicateur de charge ne s'allume, la batterie est peut-être endommagée. Si au moins un des voyants de l'indicateur de charge est allumé, mais pas tous, chargez complètement la batterie avant de l'utiliser pour la première fois.

Ne chargez pas et n'utilisez pas une batterie endommagée, prenez contact avec votre revendeur spécialisé.

Pour garantir la pleine capacité de la batterie, chargez-la complètement à l'aide du chargeur avant de l'utiliser pour la première fois. La batterie peut être rechargée à tout moment sur le fauteuil roulant ou lorsqu'elle est retirée du fauteuil.



Instructions pour recharger la batterie :

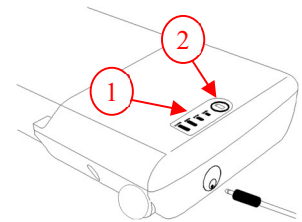
1. Éteignez la batterie.
 2. Si vous le souhaitez, retirez la batterie de son logement en évitant que des saletés ou des liquides ne pénètrent dans la prise de charge.
 3. Branchez la fiche du chargeur sur le bloc-batterie ①.
 4. Branchez la fiche secteur du chargeur dans la prise murale.
5. Le voyant du chargeur de batterie indique l'état du processus de charge :
- Rouge - Chargement
 - Vert - Veille / Chargement complet
6. Lorsque la batterie est complètement chargée, retirez le chargeur de la prise murale et de la batterie.

3.7.1 Indicateur de charge de la batterie

Il y a deux indicateurs de charge de la batterie :

Sur le bloc-batterie :

1. Appuyez sur le bouton ② du bloc-batterie.
2. Les voyants de l'indicateur de charge de la batterie ① indiquent le niveau de charge de la batterie.



Console de l'opérateur :



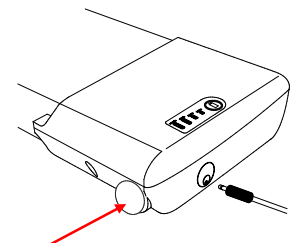
Lorsque le système électrique est allumé, l'indicateur de batterie (2, §3.3) affiche le niveau de charge de la batterie.

- Tous les voyants sont allumés : la batterie est entièrement chargée.
- Seul le voyant rouge est allumé ou clignote : rechargez immédiatement la batterie.

En raison du câblage, les deux indications peuvent varier légèrement. Dans ce cas, prenez l'indication du niveau de charge le plus défavorable.

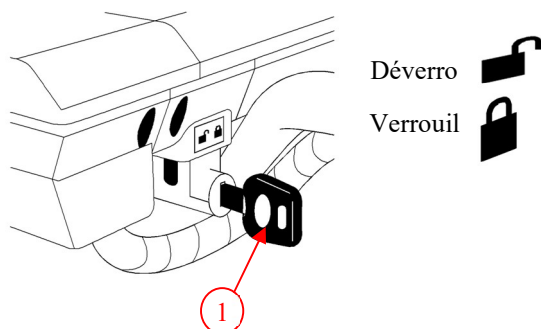
3.8 Mise en marche et arrêt de l'appareil électrique

Appuyez sur l'interrupteur marche/arrêt situé sur le côté de la batterie.



3.9 Montage/démontage de la batterie

La batterie peut être retirée pour être rechargée facilement en dehors du fauteuil roulant.



Pour monter la batterie :

1. Placez la clé ① et tournez-la vers le symbole de déverrouillage.
2. Placez la batterie dans son logement le plus loin possible. Il n'y a qu'une seule façon possible d'insérer la batterie.
3. Tournez la clé ① jusqu'au symbole de verrouillage.
4. Assurez-vous que la batterie est bien fixée.
5. Retirez la clé ①. (Ne retirez jamais la clé pendant la conduite).

Pour retirer la batterie :

1. Placez la clé ①.
2. Tournez la clé ① jusqu'au symbole de déverrouillage.
3. Retirez doucement la batterie de son logement.

4 Entretien

4.1 L'entretien



ATTENTION

Risque de dommages corporels et matériels

Les réparations et les remplacements ne peuvent être réalisés que par des personnes formées, et seules des pièces de rechange d'origine de Vermeiren peuvent être utilisées.

i La dernière page de ce manuel contient un formulaire d'enregistrement pour permettre au revendeur spécialisé de consigner chaque entretien.

La fréquence d'entretien dépend de la fréquence et de l'intensité de l'utilisation. Prenez contact avec votre revendeur pour convenir d'un rendez-vous pour une inspection/un entretien/une réparation.

Lisez le manuel d'utilisation du chargeur de batterie concernant l'entretien.

Pour le manuel d'entretien, consultez le site Web de Vermeiren : www.vermeiren.com.

Avant chaque utilisation

Inspectez les points suivants :

- Toutes les pièces : sont présentes, non endommagées et non usées.
- Toutes les pièces : sont propres, cf. § 4.2.2.
- Les roues, siège, accoudoirs, repose-pieds et appuie-tête (le cas échéant) : bien fixés.
- État de la batterie : chargez la batterie lorsque nécessaire, cf. §3.7.
- Console de commande, batterie, module d'alimentation, moteurs, chargeur de batterie, éclairage et câbles pertinents : aucun dommage, comme des fils effilochés, cassés ou dénudés.
- État des roues/pneus, cf. § 4.2.1.
- État des éléments du châssis : pas de déformation, d'instabilité, de faiblesse ou de raccords lâches.
- Siège, dossier, manchettes, repose-jambes et appuie-tête (le cas échéant) : pas d'usure excessive (comme des bosses, dégâts ou déchirures).

Prenez contact avec votre revendeur spécialisé pour les réparations et les remplacements de pièces éventuels.

Chaque mois

Si votre fauteuil roulant est remis pendant une période prolongée, vous devez quand même charger la batterie tous les mois. Il est également possible de laisser le chargeur de la batterie connecté à la batterie et au secteur pendant cette période. Pour de plus amples informations, cf. § 3.7.

Chaque année ou plus souvent

Faites inspecter et entretenir votre fauteuil roulant par votre revendeur spécialisé, au moins une fois par an, ou plus souvent. La fréquence d'entretien minimale dépend de l'usage et doit être déterminée de commun accord avec votre revendeur spécialisé.

En cas d'entreposage

Assurez-vous que votre fauteuil roulant est entreposé dans un environnement au sec pour éviter la formation de moisissure et l'endommagement du rembourrage.

4.2 Instructions d'entretien

4.2.1 Roues et pneus

i Un fonctionnement correct des freins dépend de l'état des pneus, qui peut changer en raison de l'usure et de la contamination (eau, huile, boue...).

- Éliminez les fils, cheveux, le sable et les fibres de vos roues.
- Vérifiez le profil des pneus. Si la profondeur de la sculpture est inférieure à 1 mm, les pneus doivent être remplacés. Prenez contact avec votre revendeur spécialisé à ce propos.

4.2.2 Nettoyage

ATTENTION

Risque de dommages dus à l'humidité

- Gardez la console de commande propre et protégez-la de l'eau et de la pluie.
- N'utilisez jamais un tuyau ou un nettoyeur à haute pression pour nettoyer le fauteuil roulant.

Essuyez toutes les parties rigides du fauteuil roulant avec un chiffon humide (pas détrempé). Si nécessaire, utilisez un savon doux, approprié pour les laques et les synthétiques.

Le rembourrage peut être nettoyé à l'eau tiède additionnée de savon doux. N'utilisez pas de produits de nettoyage abrasifs.

Gardez les ouvertures de ventilation du chargeur de batterie propres et exemptes de poussière accumulée. Soufflez la poussière et nettoyez l'ouverture du chargeur de la batterie avec un tissu légèrement humide, si nécessaire.

4.2.3 Désinfection

ATTENTION

Risque de dommages

La désinfection ne peut être réalisée que par des personnes qualifiées. Renseignez-vous auprès de votre revendeur spécialisé à cet égard.

4.3 Résolution des problèmes

Même si vous utilisez votre fauteuil roulant de façon appropriée, les problèmes techniques ne sont pas exclus.

Dans un tel cas, prenez contact avec votre revendeur spécialisé local.



AVERTISSEMENT

Risque de blessures et de dommages au fauteuil roulant

- N'essayez JAMAIS de réparer votre fauteuil roulant vous-même.
- Pour les dysfonctionnements de la console de commande, vous devez prendre contact avec votre revendeur spécialisé. Il décidera s'il est nécessaire de reprogrammer la console.

En cas de panne, un code d'erreur s'affiche sur la console de commande, cf. §5.

Les alertes suivantes peuvent indiquer un problème grave. Par conséquent, prenez toujours contact avec votre revendeur spécialisé si vous détectez l'une des anomalies suivantes :

- Bruit anormal ;
- Faisceaux de câbles effilochés/endommagés ;
- Connecteurs fissurés ou cassés ;
- Usure inégale du profil des pneus ;
- Mouvements saccadés ;
- Le fauteuil roulant dévie d'un côté ;

- Ensembles de roues endommagés ou cassés ;
- Le fauteuil roulant ne s'allume pas (fusible grillé) ;
- Le fauteuil roulant est alimenté mais ne bouge pas, cf. 3.4.

4.4 Durée de vie attendue

La durée de vie moyenne de votre fauteuil roulant est de 5 ans. Selon la fréquence d'utilisation, les circonstances de conduite et d'entretien, la durée de vie de votre fauteuil roulant augmentera ou diminuera.

4.5 Réutilisation

Avant toute réutilisation par une autre personne, faites désinfecter, inspecter et entretenir le fauteuil roulant conformément aux instructions du §4.1 et du §4.2.

4.6 Mise au rebut

À la fin de sa durée de vie, votre fauteuil roulant doit être éliminé conformément à la législation environnementale locale. Il est recommandé de démonter le fauteuil roulant afin de faciliter le transport des matériaux recyclables.

5 Résolution des problèmes

**AVERTISSEMENT**

Risque de dommages corporels et matériels à la console de commande ou au fauteuil roulant

- N'essayez JAMAIS de réparer la console de commande vous-même.
- En cas de panne de la console de commande, veuillez prendre contact avec votre revendeur spécialisé. Il décide si la console doit être reprogrammée.

En cas de problème éventuel, un code système est affiché par les voyants de l'indicateur d'état de la batterie qui clignotent, cf. § 3.3(2). Le tableau suivant résume les codes système possibles. Vous pouvez résoudre certains problèmes vous-même. Pour tous les problèmes indiqués en gris, consultez votre revendeur spécialisé.

Tableau 2 : Résolution des problèmes

Code	Problème	Signification
1	Batterie vide/mauvaise connexion à la batterie	Vérifiez les connexions aux batteries. Si les connexions sont bonnes, essayez de charger les batteries.
2	Mauvaise connexion de l'encodeur ou du moteur gauche	Vérifiez les connexions à l'encodeur et au moteur gauche.
3	Câblage défectueux sur le moteur gauche/décrochage	
4	Mauvaise connexion de l'encodeur ou du moteur droit	Vérifiez les connexions à l'encodeur et au moteur droit.
5	Câblage défectueux sur le moteur droit/décrochage	
7	Erreur du joystick	Assurez-vous que le joystick est en position centrale avant d'allumer le dispositif de commande.
7 + S ¹	Erreur de communication	Assurez-vous que le câble du module de joystick est bien connecté et qu'il n'est pas endommagé.
8	Erreur possible du dispositif de commande	Assurez-vous que tous les raccords sont bien fixés.
9	Mauvaise connexion du frein de stationnement	Vérifier les connexions du frein de stationnement et du moteur. Assurez-vous que les connexions du dispositif de commande sont bien fixées.
10	Tension excessive	Une tension excessive est généralement due à une mauvaise connexion de la batterie. Vérifiez les connexions de la batterie.

¹S = voyants clignotants de l'indicateur de vitesse.

6 Caractéristiques techniques

Les détails techniques ci-dessous concernent uniquement ce fauteuil roulant, avec des réglages standard et dans des conditions ambiantes optimales. Veuillez tenir compte de ces détails pendant l'utilisation. Les valeurs ne sont plus valables si votre fauteuil roulant a été modifié, endommagé ou présente une usure sérieuse. N'oubliez pas que les performances de conduite sont influencées par la température ambiante, l'humidité, les pentes (en montée ou descente), le type de surface et l'état de la batterie.

Tableau 1 : Caractéristiques techniques

Marque	Vermeiren
Type	Fauteuil roulant électrique, classe A
Modèle	Verso
Poids maximum de l'occupant	130 kg
Description	Dimensions
Longueur hors tout avec repose-jambes	1078 mm (profondeur d'assise la plus courte)
Largeur hors tout (selon la largeur du siège)	610 mm
	630 mm
	650 mm
	670 mm
Hauteur générale	937 mm – 1002 mm
Masse totale	31,3 kg
Poids de la pièce la plus lourde	Cadre arrière : 16,2 kg
Consommation d'énergie*	12,8 Ah : 15 km
	17,5 Ah : 21 km
Pente nominale	3°
Franchissement d'obstacle	15 mm
Vitesse maximale en marche avant	6 km/h
Distance de freinage max. à vitesse max.	1 m
Inclinaison du siège	5°
Profondeur de siège réelle	420 - 480 mm
Largeur de siège réelle	440 mm
	460 mm
	480 mm
	500 mm
Hauteur de surface du siège sur le rebord de devant	521 mm
Angle du dossier	5°
Hauteur du dossier	400 – 420 – 440 – 460 – 480 mm
Distance entre le repose-pieds et le siège	370 – 500 mm
Angle entre la surface du siège et la jambe	105°
Distance entre l'accoudoir et le siège	150 – 210 mm
Emplacement à l'avant de la structure d'accoudoir	322,5 mm – 370 mm
Angle de braquage minimum	1145 mm
Garde au sol	61 mm
Diamètre des roues arrière	12"
Type de roues arrière **	Pneus en PU

Marque	Vermeiren
Type	Fauteuil roulant électrique, classe A
Modèle	Verso
Poids maximum de l'occupant	130 kg

Diamètres des roues avant	200x50
Type de roues avant **	Pneus en PU
Description électrique	
Batterie	12,8 Ah 17,5 Ah
Moteurs de traction	2 x 250 W
Fusible	20 A
Tests de résistance selon	ISO 7176-8
Tests de puissance et système de commande selon	ISO 7176-14
Inflammabilité de rembourrage conforme à	EN1021-2:2006
Conformité CEM	ISO 7176-21
Niveau de protection	IPX4
Niveau de bruit	< 65 dB (A)
Température d'entreposage et d'utilisation	+5 °C ~ +41 °C
Température de fonctionnement de l'électronique	-10 °C ~ +40 °C
Humidité d'entreposage et d'utilisation	30% ~ 70%

Nous nous réservons le droit d'apporter des changements techniques. Tolérance de mesure ± 15 mm / 1,5 kg / 1,5°.

(*) La distance de conduite théorique sera réduite si le fauteuil roulant est utilisé fréquemment en pentes, sur un terrain accidenté ou en côtes.

****Étant donné que différents pneus peuvent être utilisés, veuillez noter la pression de fonctionnement correcte des pneus que vous utilisez. Pour d'autres diamètres de pneus, adressez-vous à votre revendeur spécialisé.**

Inhoud

Inhoud	1
Voorwoord	2
1 Uw product	3
1.1 Opties.....	3
2 Voor gebruik	4
2.1 Beoogd gebruik	4
2.2 Algemene veiligheidsmaatregelen	4
2.3 Symbolen op de rolstoel.....	5
2.4 Transport.....	5
2.5 Montage/Demontage.....	6
2.6 Eerste gebruik en opslag	8
3 Uw rolstoel gebruiken	9
3.1 De eerste rit	9
3.2 Buiten rijden	9
3.3 Besturing.....	11
3.4 Rem en vrijloophendel	12
3.5 Transfer in/uit de rolstoel.....	12
3.6 Aanpassingen voor comfort	13
3.7 Batterijstatus en opladen.....	15
3.8 Aan/uitzetten van het elektrisch apparaat	16
3.9 Monteren / verwijderen van de batterij	17
4 Onderhoud	18
4.1 Tijdstippen voor onderhoud.....	18
4.2 Instructies voor onderhoud.....	18
4.3 Probleemoplossing.....	19
4.4 Verwachte levensduur.....	19
4.5 Hergebruik	19
4.6 Beëindiging van gebruik.....	20
5 Probleemoplossing	21
6 Technische specificaties	22

Proficiat! U bent eigenaar van een Vermeiren-rolstoel!

Deze rolstoel werd vervaardigd door gekwalificeerd en toegewijd personeel. Hij werd ontworpen en geproduceerd volgens hoge kwaliteitsnormen, bewaakt door Vermeiren.

Bedankt voor uw vertrouwen in de producten van Vermeiren. Om u te ondersteunen bij het gebruik van deze rolstoel en zijn bedieningsmogelijkheden, bieden we u deze handleiding aan. Lees deze informatie zorgvuldig door: het zal u helpen om vertrouwd te raken met de besturing, mogelijkheden en beperkingen van uw rolstoel.

Indien u na het lezen van deze handleiding nog vragen heeft, aarzel dan niet om contact op te nemen met uw vakhandelaar. Hij/Zij zal u met plezier verder helpen.

Belangrijke opmerking

Om uw veiligheid te garanderen, en om de levensduur van uw product te verlengen, raden we u aan om er goed zorg voor te dragen en om regelmatig nazicht en onderhoud te laten uitvoeren.

Deze handleiding houdt rekening met de recentste productontwikkelingen. De Firma Vermeiren behoudt zich het recht voor om wijzigingen aan dit type product door te voeren zonder verplicht te zijn om voordien geleverde producten aan te passen of te vervangen.

Afbeeldingen van het product worden gebruikt om de instructies in deze handleiding te verduidelijken. Details van het afgebeelde product kunnen afwijken van uw aangekochte product.

Beschikbare informatie

Op onze website <http://www.vermeiren.com/> kan u steeds de meest recente versie terugvinden van de informatie in deze handleiding. Consulteer deze website regelmatig voor mogelijke updates.

Mensen met een visuele beperking kunnen de elektronische versie van deze handleiding downloaden en laten voorlezen door een tekst-naar-spraak programma.



Deze gebruiksaanwijzing
Voor de gebruiker en vakhandelaar



Instructies voor installatie (gedetailleerde aanpassingen en (de)montage)
Voor de vakhandelaar



Onderhoudshandleiding voor rolstoelen
Voor de vakhandelaar



EC-conformiteitsverklaring

1 Uw product



- | | |
|--------------|--|
| 1. Rug | 7. Voorwiel |
| 2. Besturing | 8. Achterwiel / Aandrijfwiel met motor |
| 3. Armsteun | 9. Batterij |
| 4. Zit | 10. Kruis |
| 5. Voetsteun | 11. Identificatieplaat |
| 6. Voetplaat | |

1.1 Opties

Neem contact op met uw vakhandelaar voor meer informatie over opties. Hij geeft u graag advies.

2 Voor gebruik

2.1 Beoogd gebruik

In dit hoofdstuk wordt kort beschreven wat het beoogde gebruik van uw rolstoel inhoudt. Bijkomende relevante waarschuwingen worden gegeven bij de instructies in andere hoofdstukken. Op deze manier proberen we u te waarschuwen voor mogelijk verkeerd gebruik.

- Deze rolstoel is geschikt voor gebruik binnen en buiten.
- Deze rolstoel is uitsluitend ontworpen voor het vervoer/transfer van één (1) persoon met een maximumgewicht van 130 kg. Het is niet bedoeld om goederen of objecten te vervoeren, noch voor enig ander gebruik dan hiervoor beschreven.
- Deze rolstoel kan bediend worden door de gebruiker die in de rolstoel zit, of hij kan geduwd worden door een begeleider. Gebruik deze rolstoel NIET indien u lijdt aan psychische of mentale beperkingen waardoor u uzelf of andere mensen in gevaar kan brengen bij het rijden. Consulteer daarom eerst uw dokter, en informeer uw vakhandelaar over zijn/haar advies.
- Gebruik enkel accessoires en reserveonderdelen die werden goedgekeurd door Vermeiren.
- Lees eerst alle technische details en limieten van uw rolstoel in hoofdstuk 5.
- De garantie op dit product is gebaseerd op normaal gebruik en onderhoud zoals beschreven in deze handleiding. De garantie vervalt bij schade die werd veroorzaakt door verkeerd gebruik of gebrek aan onderhoud.

2.2 Algemene veiligheidsmaatregelen



VOORZICHTIG

Gevaar voor letsel en/of beschadiging

Lees de instructies in deze handleiding en volg ze nauwkeurig op. Zo niet, kan dit leiden tot lichamelijk letsel of beschadiging aan uw rolstoel.

Houd rekening met de volgende algemene waarschuwingen tijdens het gebruik:

- Gebruik de rolstoel niet indien u onder invloed bent van alcohol, medicijnen of andere substanties die uw rijvermogen verminderen.
- Houd er rekening mee dat sommige onderdelen van uw rolstoel zeer warm of koud kunnen worden door omgevingstemperatuur, de zon, verwarmingstoestellen of de motor tijdens gebruik. Wees daarom voorzichtig bij het aanraken. Draag beschermende kleding bij koud weer. Na gebruik, wacht tot de rolstoel/motor is afgekoeld.
- Wees u bewust van uw omgeving/situatie vooraleer de rolstoel in te schakelen. Pas uw snelheid hieraan aan bij vertrek. We adviseren om de laagste snelheidsinstelling te gebruiken wanneer u binnenshuis rijdt. Bij buitengebruik kan u de snelheid aanpassen tot een snelheid waarbij u zich veilig en comfortabel voelt.
- Houd er ALTIJD rekening mee dat uw rolstoel plots kan stoppen door een ontladen batterij, of een beveiliging die voorkomt dat uw rolstoel schade oploopt. Lees ook de mogelijke oorzaken zoals vermeld in §4.3. Gebruik uw veiligheidsgordel om letsel te voorkomen.
- Uw rolstoel werd getest op elektromagnetische compatibiliteit en voldoet aan de standaard, zie hoofdstuk 6. Toch kunnen elektromagnetische velden de rijprestatie van uw rolstoel beïnvloeden, bijvoorbeeld bij gsm's, stroomgeneratoren of energiebronnen met hoog vermogen. De elektronica van uw rolstoel kan echter ook andere elektrische apparaten beïnvloeden, zoals alarmsystemen in winkels en automatische deuren. We raden daarom aan om uw rolstoel regelmatig te checken op schade of slijtage aangezien dit de storing kan vergroten (zie ook hoofdstuk 4).
- Rijd enkel op vlakke oppervlakken waarbij beide aandrijfwielen de grond raken, en waarbij voldoende contact met de grond mogelijk is voor veilig gebruik van de rolstoel.
- Er mogen geen aanpassingen of veranderingen gemaakt worden aan de beveiligingspunten of structurele onderdelen van de rolstoel zonder de producent van de rolstoel te contacteren.

- Houd tijdens gebruik uw vingers, gespen, kledij en juwelen uit de buurt van de wielen of bewegende onderdelen.

Houd er rekening mee dat uw rolstoel, afhankelijk van de gebruikte instelling, bij sommige diefstalsystemen interferentie kan geven. Hierdoor kan het winkelalarm in werking gesteld worden.

Ieder ernstig incident [MDR (EU) 2017/745 §2 (65)] dat zich heeft voorgedaan met trekking tot het product dient gerapporteerd te worden aan de producent en de bevoegde autoriteit van de lidstaat waarin de gebruiker en/of patiënt gevestigd is.

2.3 Symbolen op de rolstoel

De volgende symbolen zijn van toepassing op uw rolstoel. De symbolen kan u terugvinden in de relevante ISO-standaard (ISO 7000, ISO 7001 en IEC 417).



Maximum gewicht van de gebruiker in kg



Enkel gebruik voor binnen (batterijlader)



Maximale veilige helling in ° (graden)



Maximale snelheid



Type aanduiding



Risico voor knellen

2.4 Transport

VOORZICHTIG

Gevaar voor beschadiging

Neem maatregelen om te voorkomen dat de rolstoel beschadigd raakt tijdens transport.

2.4.1 Uit de weg zetten

Gebruik het bedieningspaneel om de rolstoel naar zijn bestemming te bewegen.

Zet anders de rolstoel in vrijloopmodus (zie §3.4) en gebruik de duwstang om de rolstoel te bewegen.

2.4.2 Transport in een vliegtuig

Bij transport per vliegtuig vergrendelt en ontkoppelt u eerst de batterij voordat u de rolstoel overdraagt aan het luchthavenpersoneel (zie §3.9 en §3.8). De batterij kan in de rolstoel gelaten worden. Neem contact op met de luchtvaartmaatschappij voor de correcte afhandelsprocedure.



2.4.3 Transport per voertuig, als bagage

De beste manier om de elektrische rolstoel in de auto te transporteren is door gebruik te maken van oprijplaten. Wanneer u geen ervaring heeft met de rolstoel op oprijplaten te rijden, kan u de rolstoel ook in vrijloop plaatsen en deze via oprijplaten in de auto duwen. Indien nodig, demonteer de rolstoel.

1. Als rolstoelgebruiker, maak de transfer naar een autozit, zie §3.5.
2. Verwijder alle losse onderdelen alvorens te transporteren (voetsteunen, armsteunen, enz.).
3. Berg de verwijderbare onderdelen veilig op achter de passagiersstoel of in het bagagecompartiment.
4. Rijd of duw de elektronische rolstoel in de auto met behulp van oprijplaten, of til de rolstoel in de auto door de vaste onderdelen van het frame vast te nemen. Doe dit laatste met 2 personen.
5. Maak de vaste onderdelen van het frame goed vast aan het voertuig.
6. Plaats de rolstoel in rijmodus (inschakelen van de parkeerremmen) en controleer dat de besturing uitgeschakeld is.

2.5 Montage/Demontage



VOORZICHTIG

Gevaar voor letsel

- Zorg ervoor dat uw vingers, kledij, gespen niet geklemd raken bij de (de)montage.

Uw vakhandelaar levert de rolstoel volledig gemonteerd en legt de verschillende bedieningselementen en hun gebruik uit. Voor transportdoeleinden bieden wij hieronder ook een verdere, gedetailleerde uitleg van de verschillende onderdelen.

Om de elektrische rolstoel te monteren:

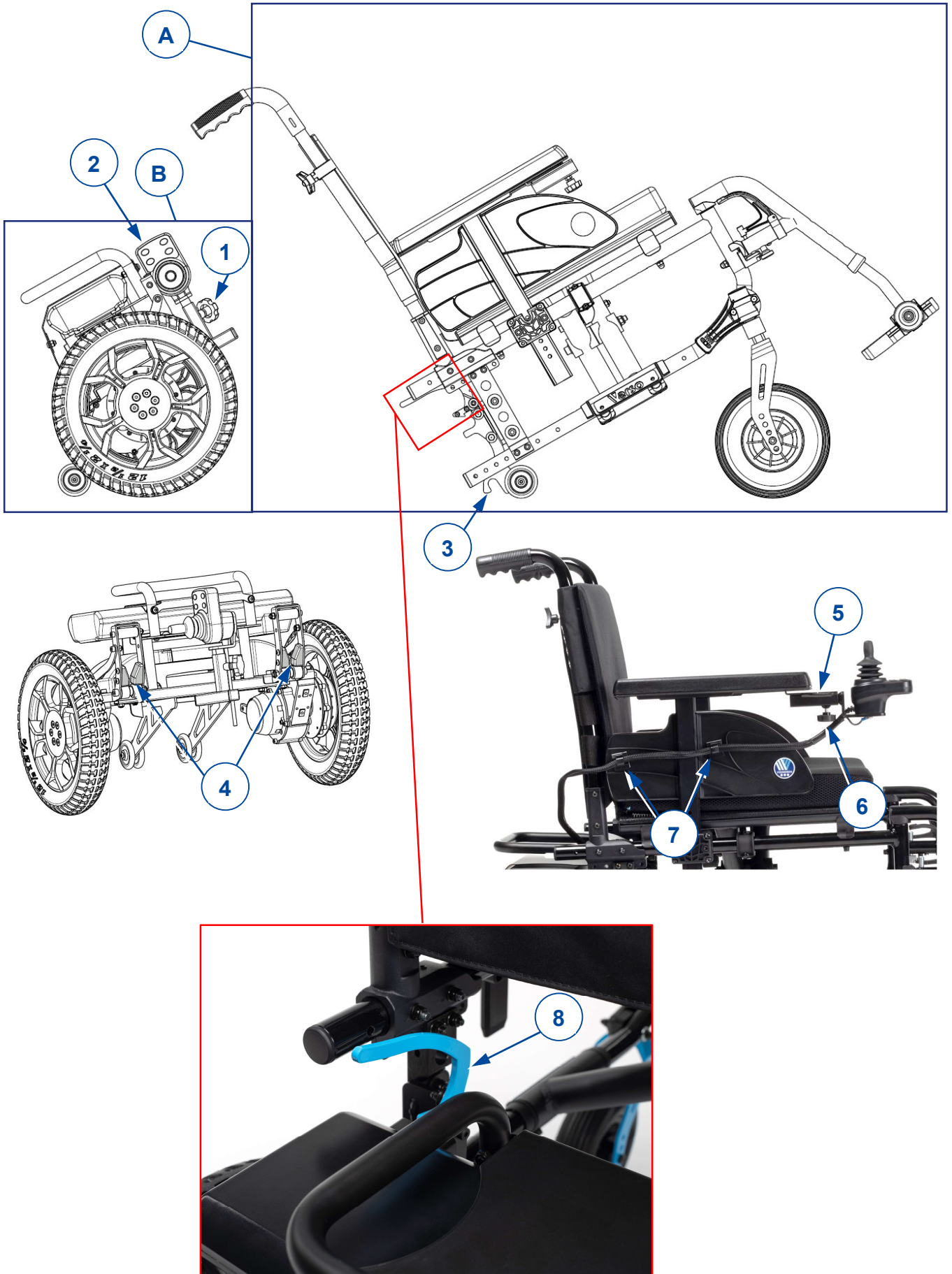
1. Vouw het zitframe (A) open.
2. Plaats het zitframe op de voorwielen en de steunwieltjes achteraan.
3. Plaats de aandrijfeenheid (B) achter het zitframe.
4. Draai sterknop (1) los en verwijder de besturing (2) van de aandrijfeenheid. Plaats de bediening tijdelijk op een veilige plek, bv. Over de rugleuning.
5. Plaats de haken van het zitframe (3) op de stangen (4) van de aandrijfeenheid.
6. Duw het zitframe omlaag tot u een duidelijke klik hoort en het frame stevig bevestigd is aan de aandrijfeenheid, zowel rechts als links. Controleer of de hendels (8) naar beneden zijn vergrendeld.

Als het zitframe niet automatisch klikt, plaats dan het frame op de aandrijfeenheid en duw de hendels (8) handmatig omlaag.

7. Plaats de armsteunen (§3.6.1).
8. Plaats de voetsteunen (§3.6.2).
9. Schuif de bediening in de bevestiging op de armsteun (5). Draai de sterknop (6) stevig aan en beveilig de kabel in de klemmen (7).

Om de elektrische rolstoel te demonteren:

1. Haal de kabel uit de klemmen op de armsteun. Draai de sterknop (6) van de bedieningsbevestiging los en schuif de bediening eruit. Plaats de bediening tijdelijk op een veilige plek.
2. Trek de hendels (8) aan beide kanten van het frame gelijktijdig omhoog. De aandrijfeenheid is nu losgekoppeld van het frame en zal achterover kantelen op de steunwieltjes.
3. Til het zitframe omhoog en weg van de aandrijfeenheid.
4. Verwijder de armsteunen.
5. Verwijder de voetsteunen.
6. Vouw het zitframe.
7. Plaats de bediening (2) in de daarvoor voorziene bevestiging op de aandrijfeenheid, en draai de sterknop (1) stevig aan.



2.6 Eerste gebruik en opslag

 VOORZICHTIG Gevaar voor beschadiging aan de batterij

- Laat de batterij nooit volledig ontladen.
- Onderbreek de oplaadcyclus niet: koppel de batterijlader enkel los wanneer de batterij volledig opgeladen is.
- Zorg ervoor dat uw rolstoel droog wordt bewaard om schimmel of schade aan de bekleding te voorkomen. Indien nodig, gebruik een afdekkap.
- Ga de technische details voor opslag na in hoofdstuk 6.

Zorg ervoor dat de batterij volledig werd opgeladen voor het eerste gebruik. Vraag aan uw vakhandelaar of dit reeds gebeurde. Om de batterij te laden, volgt u de instructies in §3.7.

3 Uw rolstoel gebruiken



WAARSCHUWING

Gevaar voor letsel

- Lees eerst de voorgaande hoofdstukken en informeer uzelf over het beoogde gebruik. Gebruik uw rolstoel NIET voordat u alle instructies gelezen en begrepen heeft.
- Lees ook de instructies in de besturingshandleiding en de handleiding van de batterijlader!
- Als u nog vragen heeft of als u ergens aan twijfelt, aarzel dan niet om contact op te nemen met uw lokale vakhandelaar, zorgverlener, of technisch adviseur om u te helpen.

3.1 De eerste rit



VOORZICHTIG

Gevaar voor letsel of beschadiging

- Houd steeds rekening met de draaicirkel van de voetsteun en besturing om te voorkomen dat voorbijgangers verwond raken, of dat objecten beschadigd raken.
- Koppel steeds de batterijlader los van de rolstoel vooraleer te rijden.

- i**
- Zorg ervoor dat u vertrouwd bent met de werking van uw rolstoel vooraleer deze te gebruiken op drukke en mogelijk gevaarlijke plaatsen. Oefen eerst in een grote open ruimte met weinig omstaanders.
 - Onderzoek het effect van een veranderd zwaartepunt op het gedrag van de rolstoel, bijvoorbeeld op hellingen, op zijdelingse hellingen of bij het overwinnen van hindernissen. Vraag hulp aan een begeleider.
 - Het oppervlak van de besturing wordt een beetje warm tijdens gebruik.
 - Bij het achteruit rijden wordt de snelheid verminderd.

1. Zorg ervoor dat:
 - de rolstoel op een vlakke ondergrond staat;
 - de batterij volledig is opgeladen, zie §3.7;
 - de motor gekoppeld werd, zie §3.4;
 - de rolstoel werd aangepast aan uw noden en comfort, zie §3.6;
 - u de correcte zitpositie heeft, zie §3.5.
2. Volg de instructies uit de handleiding van de besturing.
3. Zet uw rolstoel aan.
4. Draai de snelheidsregelaar naar de laagste stand.
5. Oefen op het rijden met en verstellen van de rolstoel.
6. Als u zich zeker genoeg voelt, kan u aan een hogere snelheid proberen te rijden.
7. Probeer nu te draaien, zowel voorwaarts als achterwaarts. Herhaal dit enkele keren.
8. Zorg ervoor dat uw rolstoel stabiel staat wanneer u de rit beëindigt.
9. Schakel uw rolstoel uit.

3.2 Buiten rijden




WAARSCHUWING

Gevaar voor ongeval - Pas uw rijstijl en snelheid aan.

- Houd rekening met de lokale verkeerswetgeving; deze kan verschillen van land tot land. Dit geldt voor het rijden op de stoep, onverharde en verharde wegen.
- Houd rekening met de weersomstandigheden. Vermijd het rijden bij vochtig weer, extreme hitte, sneeuw, ijzel en vriestemperaturen; zie de technische specificaties in hoofdstuk 6.
- Rijd niet op wegen met druk verkeer.
- Zorg ervoor dat u goed zichtbaar bent, ook tijdens de dag, door het dragen van fluorescerende kledij en/of door extra verlichting te gebruiken aan de voor- en achterzijde van de rolstoel.

- Wees u bewust van andere weggebruikers voor wie uw rolstoel een hindernis kan vormen. Let extra op bij het draaien en achteruit rijden. Als u niet vertrouwd bent met achteruit rijden, oefen dan eerst in een open ruimte. Geef de richting aan waarin u gaat vooraleer af te slaan.
- Probeer recht in smalle doorgangen te rijden om te voorkomen dat u geklemd raakt.
- Houd de remafstand in gedachten. Houd er rekening mee dat de remafstand beïnvloed wordt door snelheid, rijoppervlak, weersomstandigheden, helling en gewicht van de gebruiker.

3.2.1 Omgaan met hellingen, stoepranden, hindernissen en oprijplaten

 **VOORZICHTIG** Gevaar voor letsel door onvoorziene beweging

- Gebruik een veiligheidsgordel om uzelf te beveiligen in de rolstoel.
 - Pas op als de weg zanderig is of zachte grond, gaten of spleten heeft waardoor de wielen kunnen vastlopen en/of de tractie van de aandrijfwielen vermindert.
 - Rijd NIET op hellingen, hindernissen, treden of stoepranden die groter zijn dan beschreven in de technische specificaties van hoofdstuk 6.
 - Benader een stoeprand altijd van de voorkant.
 - Zet uw rolstoel nooit in vrijloopmodus op een helling. De rolstoel kan beginnen te bewegen, wat verwondingen bij uzelf of omstaanders kan veroorzaken.
 - Gebruik uw rolstoel niet op roltrappen of trappen.
 - Gebruik enkel rampen die goedgekeurd werden door Vermeiren en overschrijd hun maximaal toegestane belasting niet.
 - Om veilig obstakels of hellingen te nemen, zet u de rolstoel in de meest rechtop zittende positie.
- i** Wanneer u stopt op een helling, zal de rem automatisch in werking treden om te voorkomen dat de rolstoel vooruit of achteruit rolt.

WAARSCHUWING Gevaar voor beschadiging

- Parkeer uw elektrische rolstoel steeds op een horizontaal vlak oppervlak, en op plaatsen die makkelijk bereikbaar zijn.
- Indien nodig, maak snelheid met een korte aanloop om hellingen, hindernissen, stoepranden of rampen op te rijden. Vermijd dat u of uw rolstoel te maken krijgt met een grote terugslag.
- Zorg ervoor dat de rolstoel de grond of ramp niet raakt door de kanteling.
- Denk eraan dat de remafstand bergafwaarts aanzienlijk groter kan zijn dan op vlakke grond.

Procedure

- Start met rijden volgens de instructies in §3.1, stap 1.
- Gebruik hef materiaal of een ramp om de rolstoel op/af treden of trappen te bewegen. Indien deze niet voorhanden zijn, kan de rolstoel worden opgetild door ten minste twee personen, waarbij het onderframe stevig met beide handen moeten worden vastgehouden. Houd de rolstoel hierbij niet vast aan de rugsteun, voetplaat/voetplaten, armsteunen of wielen.
- Omgaan met hindernissen of hellingen:
 1. Verstel de rolstoel naar de meest stabiele positie, zie §3.5.
 2. Rijd zo langzaam mogelijk om de hindernis of helling te nemen.

3.3 Besturing

i Zet de joystick in neutrale (centrale) positie vooraleer de aan/uit-knop in te drukken, anders zal de elektronica blokkeren. Om deze blokkering op te heffen, schakelt u de besturing uit en weer aan.

1. AAN/UIT knop
2. Indicator batterijstatus
3. Snelheidsindicator
4. Claxon
5. Knop voor vermindering snelheid
6. Knop voor verhoging snelheid
7. Joystick



3.3.1 Technische bescherming

Om uw eigen veiligheid te garanderen, en om te voorkomen dat de rolstoel beschadigd raakt, worden alle bewegingen bewaakt door de elektronica. Dit kan leiden tot afname in snelheid of volledige stilstand.

- Om onopzettelijke batterij-ontlading te voorkomen, is uw rolstoel voorzien van een automatisch uitschakelsysteem. Dit systeem schakelt automatisch de besturing uit zodra deze even niet gebruikt wordt. Als dit gebeurt, schakel dan gewoon de besturing weer aan.
- Zorg ervoor dat de vrijloophendel in repositie staat VOORDAT u de rolstoel AAN zet. Elektromagnetische remmen NIET als de rolstoel in vrijloopmodus staat. Dit wordt aangegeven op de besturing. Rijden is niet mogelijk.

3.3.2 Rijden

1. Duw op de AAN/UIT-knop (1) om de rolstoel aan te zetten.
2. Als de lampjes van de batterijstatusindicator (2) en de snelheidsindicator (3) aan gaan, staat uw rolstoel aan en is hij klaar voor gebruik.
3. Controleer de batterij-indicator. Laad de batterij indien nodig (zie §3.7).
4. Pas de rijsnelheid aan: verlaag de snelheid met de knop voor vermindering snelheid (5), of verhoog de snelheid met de knop voor verhoging snelheid (6).
5. Beweeg de rolstoel door de joystick (7) zachtjes naar voor/achter te duwen.
6. De snelheid zal toenemen als u de joystick verder uit het midden wegduwt.
7. Om naar links of rechts te draaien, duwt u de joystick naar links of rechts.
8. Om te remmen, beweegt u de joystick naar neutrale positie.
9. Druk indien nodig de claxonknop (4) om andere weggebruikers te waarschuwen.
10. Controleer bij aankomst de batterijstatus en duw op de AAN/UIT-knop om de rolstoel uit te schakelen.
11. Laad de batterij op, indien nodig.

3.4 Rem en vrijloophendel

 **VOORZICHTIG** Gevaar voor letsel of beschadiging

- Bedien de vrijloophendel enkel wanneer de rolstoel **UIT** staat! Een begeleider moet de vrijloophendel bedienen indien u een mobiliteitsbeperking heeft. Bedien de hendel **NOOIT** vanuit zittende positie.
- Gebruik de vrijloopmodus nooit op hellingen.

i Zorg ervoor dat de vrijloophendel in rempositie staat **VOORDAT** u de rolstoel **AAN** zet. Elektromagnetische remmen werken **NIET** als de rolstoel in vrijloopmodus staat. Dit wordt aangegeven op de besturing. Rijden is niet mogelijk.

Uw rolstoel is uitgerust met elektromagnetische remmen. De werking van deze remmen hangt af van de positie van de vrijloophendel (1).

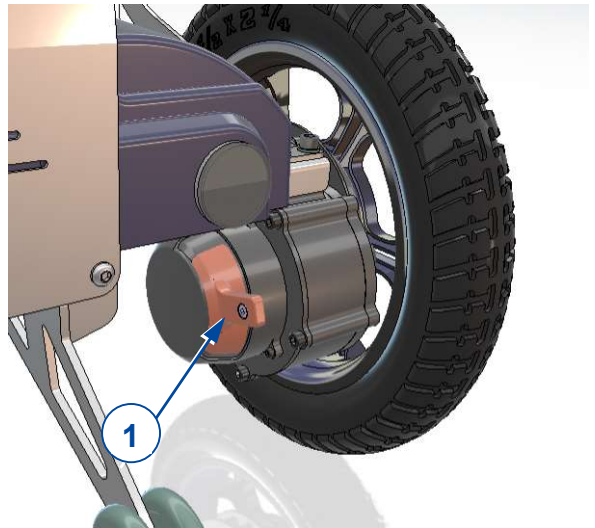
De EM-remmen werken automatisch, enkel wanneer de vrijloophendel (1) in rempositie staat. In dit geval zullen de remmen beginnen werken als:

- de rolstoel **UIT** staat;
- de rolstoel **AAN** staat en de joystick wordt losgelaten.

Wanneer u de joystick loslaat, stop de rolstoel stilaan en activeren de remmen.

De vrijloophendel bedienen:

- Draai de hendels naar **BOVEN** om de rolstoel in vrijloopmodus te zetten. De motor is nu losgekoppeld. De rolstoel kan manueel verplaatst worden.
- Draai de hendels naar **BENEDEN** om de motor te koppelen aan de aandrijving. Dit moet gebeuren vooraleer u de rolstoel aanzet.



3.5 Transfer in/uit de rolstoel

 **VOORZICHTIG** Gevaar voor letsel of beschadiging

- Als u de transfer niet op een veilige manier kan uitvoeren, vraag dan hulp.
- Ga niet op de voetplaat/voetplaten staan om in of uit de rolstoel te stappen.

Transfer

1. Plaats de rolstoel zo dicht mogelijk bij de stoel, zetel of het bed waarop u zit.
2. Schakel de remmen in door de vrijloophendel in rempositie te draaien, zie § 3.4.
3. Vouw de voetplaat/voetplaten omhoog om te voorkomen dat u erop gaat staan.
4. Indien nodig, verwijder een van de armsteunen, zie §3.6.2.
5. Beweeg naar/uit uw rolstoel door kracht te zetten op uw armen, of met behulp van een begeleider of liftmaterieel.

Zitten in de rolstoel


1. Ga zitten op de zit met uw onderrug tegen de rugsteun.
2. Draai de voetplaat/voetplaten naar beneden en plaats uw voeten erop.
3. Indien nodig, plaats de armsteunen terug.
4. Zorg ervoor dat uw bovenbenen horizontaal zijn, met uw voeten in een comfortabele positie. Maak aanpassingen indien nodig.
5. Zorg ervoor dat uw armen gebogen zijn en dat ze comfortabel rusten op de armsteunen. Maak aanpassingen indien nodig.

Verstellen naar stabiele positie

Voor transport, en wanneer u hindernissen moet nemen, is het nodig dat de rolstoel afgesteld wordt voor maximale stabiliteit:

- Rugsteun rechtop
- Voetplaat omhoog gevouwen

3.6 Aanpassingen voor comfort

 **VOORZICHTIG** Gevaar voor letsel of beschadiging

- De volgende aanpassingen voor comfort kunnen gedaan worden door de begeleider. Alle andere instellingen worden gedaan door de vakhandelaar volgens de installatiehandleiding, zie voorwoord.
- Houd tijdens de verstelling uw vingers, gespen, kledij en juwelen uit de buurt van bewegende onderdelen.

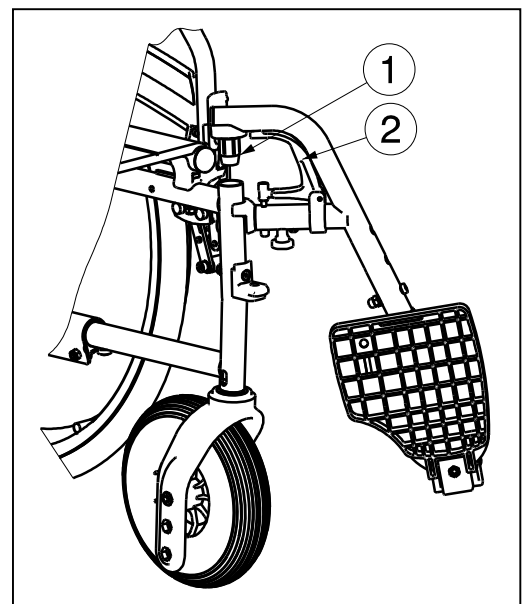
3.6.1 Voetsteunen plaatsen of verwijderen

Het plaatsen van de voetsteunen gaat als volgt:

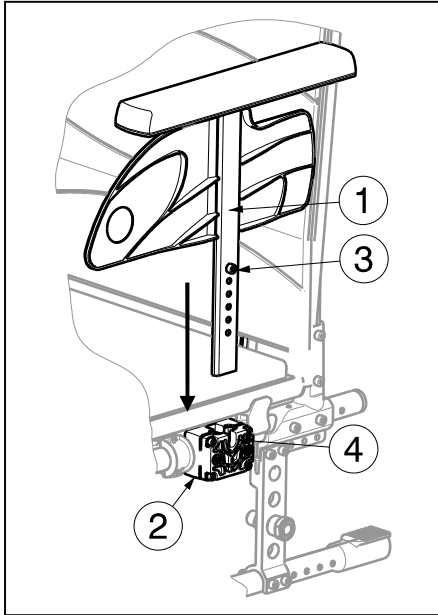
1. Houd de voetsteun zijdelings aan de buitenkant van het frame van de rolstoel en monteer de voetsteun met de dop ① in het frame.
2. Zwenk de voetsteun naar binnen tot deze vastklikt.
3. Vouw de voetplaat naar beneden.

Om de voetsteunen te verwijderen gaat u als volgt te werk:

1. Trek aan de hendel ②.
2. Draai de voetsteun naar buiten tot deze uit de geleiding komt.
3. Trek de voetsteun omhoog uit dop ①.

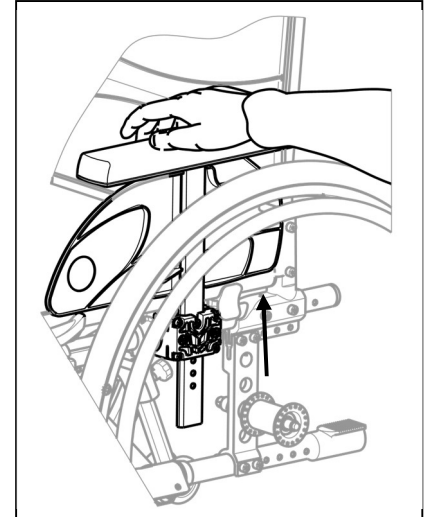


3.6.2 De armsteunen plaatsen of verwijderen



De armsteunen van de rolstoel kunnen worden gemonteerd met volgende instructies.

1. Monteer de armsteun ① in de armsteunhouder ② totdat de schroef ③ in de sleuf ④ past.
2. Controleer dat de armsteun ① goed is vastgemaakt.



Om de armsteun te verwijderen:

1. Neem de armlegger vast en trek de armsteun voorzichtig uit de armsteunhouder.

3.6.3 Rughoogte

De hoogte van de rug kan worden ingesteld in 5 standen.

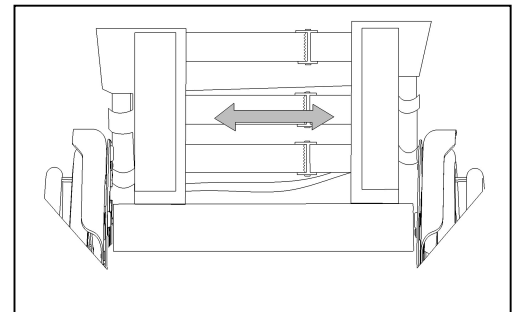
1. Verwijder de stervormige knop (1).
2. Schuif de bekleding van de rugleuning omhoog/omlaag tot de gewenste hoogte. Zorg ervoor dat het gat voor de stervormige knop in de framebuis uitgelijnd is met een van de gaten in de bekleding.
3. Plaats de stervormige knop terug en draai deze vast.



3.6.4 Ondersteuning rugsteun

De rug van de rolstoel heeft een ophangstelsel met verstelbare klittenbanden om de flexibiliteit van de rug aan te passen.

1. Haal het kussen van de rugsteun door het los te trekken van de klittenbanden.
2. Maak de klittenbanden van het suspensiesysteem los.
3. Trek de banden aan tot de gewenste positie. De spanning van de individuele banden kan aangepast worden om de gewenste ondersteuning van de rug te verkrijgen.
4. Plaats het rugkussen terug over de rugsteun, beginnend aan de voorkant.
5. Beveilig de klittenbandsluitingen door het kussen met uw hand tegen de rugsteun te duwen.
6. Zorg ervoor dat klittenbanden stevig bevestigd zijn.




3.6.5 Handvathoogte

De handvatten kunnen traploos versteld worden over een afstand van 60 mm:

1. Zet de sterknop (1) los.
2. Beweeg het handvat omhoog/omlaag tot de gewenste hoogte.
3. Draai de sterknop (1) terug goed vast.
4. Herhaal voor het andere handvat. Zorg ervoor dat beide handvatten stevig zijn vastgezet.



3.7 Batterijstatus en opladen

 **WAARSCHUWING** Gevaar voor letsel of beschadiging door brand

- Gebruik enkel de batterijlader die geleverd werd bij uw rolstoel. Het gebruiken van een andere lader kan gevaarlijk zijn (brandgevaar).
- De lader is enkel bedoeld om de batterijen op te laden die geleverd werden bij uw rolstoel, geen andere batterijen.
- Maak geen aanpassingen aan de geleverde onderdelen, bijv. kabels, stekkers of de batterijlader. Open of vervang nooit de batterij of de aansluitpunten.
- Bescherm de batterij en batterijlader tegen vlammen, hoge en lage temperaturen (zie hoofdstuk 6), vochtigheid, zon, hevige schokken (bijvoorbeeld vallen). Gebruik de batterij NIET als ze is blootgesteld aan een van de voornoemde omstandigheden.
- Laad de batterij op met de geleverde lader, binnenshuis, in een goed geventileerde ruimte, buiten het bereik van kinderen.

 **VOORZICHTIG** Gevaar voor beschadiging

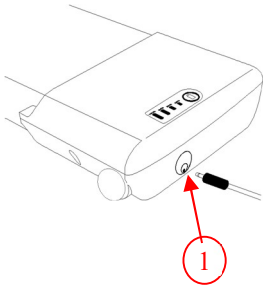
- Automatische ontlading van de batterij en de ruststroom van de verbonden gebruikers zullen de batterij langzaam ontladen. De batterij kan onherstelbaar beschadigd raken indien ze volledig ontladen wordt. Zorg er daarom steeds voor dat de batterij tijdig wordt opgeladen (zie §3.7).
- Lees de instructies voor bewaring en onderhoud in hoofdstuk 4, en de technische details in hoofdstuk 6.
- Laad batterijen niet op onder 0°. Verplaats de batterij naar een warmere plaats en begin het opladen.
- Houd het aansluitpunt voor de batterijlader vrij van stof of vuil.
- In geval van problemen waardoor de batterij niet opgeladen kan worden volgens de gebruiksaanwijzing van de lader, neem dan contact op met uw vakhandelaar.

Voor alle informatie over weergave van de batterijstatus, raadpleeg §3.7.

- i** We raden aan om de batterij los te koppelen van de rolstoel wanneer deze een tijdje niet gebruikt wordt. Zo voorkomt u onnodige energieconsumptie.

Controleer de accu altijd op beschadigingen voordat u deze oplaadt. Druk op de batterij indicator knop gedurende 2 seconden om de batterij aan te zetten. Wanneer geen enkele LED van de laadtoestand indicator oplicht, kan de batterij beschadigd zijn. Wanneer ten minste één, maar niet alle LEDs van de indicator branden, laad dan de batterij volledig alvorens voor de eerste keer te gebruiken.

Laad geen beschadigde batterij en gebruik deze niet, contacteer hiervoor uw vakhandelaar.



Om een volledige batterijcapaciteit te garanderen, laad u de batterij volledig op in de lader alvorens voor de eerste keer te gebruiken. De batterij kan altijd worden herladen op de rolstoel of wanneer verwijderd uit de rolstoel.

Instructies om de batterij op te laden:

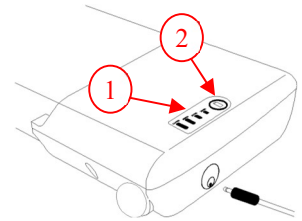
1. Schakel de batterij uit.
2. Indien gewenst, verwijder de batterij van de batterij behuizing en voorkom dat vuil of vloeistoffen in de laadbus kunnen indringen.
3. Sluit de lader plug aan op de batterij ①.
4. Sluit de lader hoofdplug aan op het stopcontact.
5. De LED indicator op de batterijlader geeft de status van het laadproces weer:
 - Rood - Laden
 - Groen - Standby / Volledig geladen
6. Eens de batterij volledig is opgeladen, verwijder de batterijlader van het stopcontact en de batterij.

3.7.1 Indicator batterijstatus

Er zijn twee batterij laadtoestand indicators:

Op de batterij:

1. Druk de toets ② op de batterij.
2. De LED's van de batterij laadtoestand indicator ① geven de laadtoestand weer.



Bedieningspaneel:

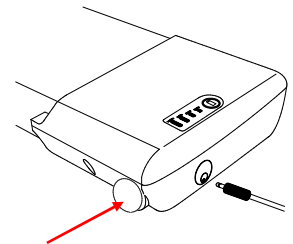
Wanneer het elektrische systeem is ingeschakeld, zal de accu-indicator (2, §3.3) het laadniveau van de accu aangeven.

- Alle LEDs aan: de batterij is volledig opgeladen.
- Enkel rode LED aan of knipperend: laad meteen de batterij op.

Door de bedrading kunnen beide indicaties iets afwijken van elkaar. In dit geval, neemt u de slechtste laadtoestand indicatie.

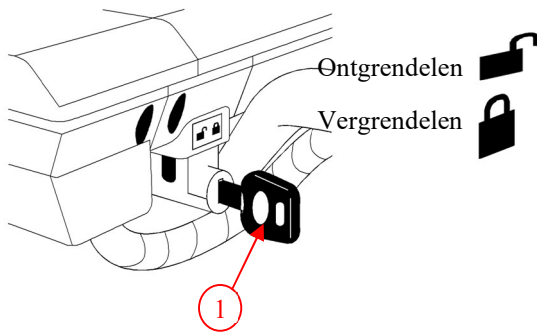
3.8 Aan/uitzetten van het elektrisch apparaat

Druk op de AAN/UIT knop aan de zijkant van de batterij.



3.9 Monteren / verwijderen van de batterij

De batterij is verwijderbaar om op te laden uit de rolstoel.



Om de batterij te monteren:

1. Plaats de sleutel ① en draai de sleutel naar het symbool ontgrendelen.
2. Plaats de batterij in de batterijbehuizing zo ver als mogelijk. Er is slechts één mogelijke manier om de batterij te monteren.
3. Draai de sleutel ① naar het symbool vergrendelen.
4. Controleer dat de batterij terug goed is vastgemaakt.
5. Verwijder de sleutel ① (Verwijder de sleutel nooit wanneer u aan het rijden bent).

Om de batterij te verwijderen:

1. Plaats de sleutel ①.
2. Draai de sleutel ① naar het symbool ontgrendelen.
3. Trek de batterij voorzichtig uit de batterij behuizing.

4 Onderhoud

4.1 Tijdstippen voor onderhoud

 **VOORZICHTIG** Gevaar voor letsel of beschadiging

Reparaties en vervangingen mogen enkel uitgevoerd worden door opgeleid personeel, en enkel originele onderdelen van Vermeiren mogen hierbij gebruikt worden.

i De laatste pagina van deze handleiding bevat een registratieformulier, bedoeld voor de vakhandelaar om ieder onderhoud te registreren.

De onderhoudsfrequentie hangt af van de frequentie en intensiteit van gebruik. Neem contact op met uw vakhandelaar om een tijdschema vast te leggen voor nazicht/onderhoud/repairatie.

Lees de gebruiksaanwijzing van de batterijlader voor specifieke onderhoudsinstructies.

Voor de onderhoudshandleiding kan u onze website raadplegen: www.vermeiren.com.

Voor ieder gebruik

Kijk de volgende punten na:

- Alle onderdelen: aanwezig en niet beschadigd of versleten.
- Alle onderdelen: schoon, zie §4.2.2.
- Wielen, zit, armsteunen, voetsteunen en hoofdsteun (indien van toepassing): stevig bevestigd.
- Batterijstatus: laad de batterij op indien nodig, zie §3.7.
- Besturing, batterij, vermogensmodule, motors, batterijlader, lichten en relevante kabels: geen schade zoals gerafelde, gebroken of blootgestelde draden.
- Staat van de wielen/banden, zie §4.2.1.
- Staat van de frameonderdelen: geen vervorming, instabiliteit, zwakte of losse verbindingen.
- Zit, rugsteun, armleggers, kuitsteunen en hoofdsteun (indien van toepassing): geen overmatige slijtage (bijv. gedeukte plekken, schade of scheuren).

Contacteer uw vakhandelaar voor eventuele reparaties of vervanging van onderdelen.

Iedere maand

Als uw rolstoel voor een periode wordt opgeslagen, raden we aan om de batterijen nog steeds iedere maand op te laden. Het is ook mogelijk om de batterijlader gekoppeld te houden aan de batterij en de netspanning tijdens deze periode. Voor meer informatie, zie §3.7.

Jaarlijks of vaker

Laat uw rolstoel nakijken en onderhouden door uw vakhandelaar, ten minste één keer per jaar of vaker. De minimale onderhoudsfrequentie is afhankelijk van het gebruik en moet daarom besproken worden met uw vakhandelaar.

Bij opslag

Zorg ervoor dat uw rolstoel droog wordt bewaard om schimmel of schade aan de bekleding te voorkomen.

4.2 Instructies voor onderhoud

4.2.1 Wielen en banden

i De goede werking van de remmen hangt af van de staat van de banden, die onderhevig zijn aan slijtage en verontreiniging (water, olie, modder,...).

- Houd de wielen vrij van draden, haar, zand en vezels.
- Kijk het profiel van de banden na. Als de profieldiepte minder dan 1 mm bedraagt, moeten de banden vervangen worden. Contacteer hiervoor uw vakhandelaar.

4.2.2 Ontsmetting

WAARSCHUWING

Gevaar voor beschadiging door vocht

- Houd de besturing schoon en bescherm ze tegen water en regen.
- Gebruik nooit een tuinslang of hogedrukreiniger om de rolstoel schoon te maken.

Veeg alle harde onderdelen van de rolstoel schoon met een vochtig doek (niet doorweekt). Indien nodig, gebruik een milde zeep die geschikt is voor vernis en synthetische materialen. De bekleding kan schoon worden gemaakt met lauw water en een milde zeep. Gebruik geen agressieve schoonmaakmiddelen.

Houd de ventilatieopeningen op de batterijlader schoon en vrij van stof. Blaas het stof weg en maak de batterijlader schoon met een vochtig doek indien nodig.

4.2.3 Ontsmetting

VOORZICHTIG

Gevaar voor beschadiging

Ontsmetting mag enkel worden uitgevoerd door getraind personeel. Neem contact op met uw vakhandelaar.

4.3 Probleemoplossing

Ook wanneer u de rolstoel correct gebruikt, is het toch mogelijk dat er een technisch probleem optreedt. Neem in dat geval contact op met uw vakhandelaar.

**WAARSCHUWING**

Gevaar voor letsel of beschadiging aan de rolstoel

- Probeer **NOOIT** zelf uw rolstoel te repareren.
- Bij storingen in de besturing dient u contact op te nemen met uw vakhandelaar. Hij /Zij zal beslissen of de besturing geherprogrammeerd moet worden.

Bij storing wordt een foutcode weergegeven op de besturing, zie §5.

De volgende tekenen kunnen wijzen op een ernstig probleem. Neem daarom steeds contact op met uw vakhandelaar als u een van de volgende afwijkingen opmerkt:

- Vreemde geluiden;
- Gerafelde/beschadigde kabelboom;
- Gebarsten of gebroken aansluitingen;
- Oneven bandenslijtage op een van de banden;
- Schokkerige bewegingen;
- De rolstoel buigt af naar één kant;
- Beschadigde of kapotte wielmontages;
- De rolstoel start niet op (defecte zekering);
- De rolstoel staat aan maar beweegt niet, zie § 3.4.

4.4 Verwachte levensduur

De gemiddelde levensduur van uw rolstoel is 5 jaar. De levensduur zal toenemen of afnemen afhankelijk van de gebruiksfrequentie, rijomstandigheden en onderhoud.

4.5 Hergebruik

Voor ieder hergebruik door een nieuw persoon moet de rolstoel ontsmet, geïnspecteerd en onderhouden worden volgens de instructies in §4.1 en §4.2.

4.6 Beëindiging van gebruik

Op het einde van de levensduur moet u de rolstoel vernietigen volgens de lokale milieuwetgeving. De beste manier om dit te doen, is de rolstoel te demonteren om het vervoer van de recycleerbare onderdelen te vergemakkelijken.

5 Probleemoplossing

⚠ WAARSCHUWING Gevaar voor letsel of beschadiging aan de besturing of rolstoel

- Probeer **NOOIT** zelf de besturing te repareren.
- Bij storingen in de besturing dient u contact op te nemen met uw vakhandelaar. Hij /Zij zal beslissen of de besturing geherprogrammeerd moet worden.

Bij mogelijke problemen wordt een systeemcode weergegeven door de knipperende LEDs op de batterijstatusindicator, zie §3.3 (2). De volgende tabel somt de mogelijke systeemcodes op. Sommige problemen kan u zelf oplossen. Voor alle storingen in het grijs dient u echter uw vakhandelaar te contacteren.

Tabel 2: Probleemoplossing

Code	Probleem	Betekenis
1	Lege batterij / slechte connectie batterij	Controleer de aansluiting naar de batterijen. Als de aansluiting in orde is, probeer dan de batterijen op te laden.
2	Slechte connectie linker motor of encoder	Controleer de verbindingen naar de linker motor en encoder.
3	Slechte bedrading aan linker motor / blokkeertoestand	
4	Slechte connectie rechter motor of encoder	Controleer de verbindingen naar de rechter motor en encoder.
5	Slechte bedrading aan linker motor / blokkeertoestand	
7	Storing joystick	Controleer of de joystick in de neutrale positie staat als u de rolstoel inschakelt.
7 + S ¹	Communicatiestoring	Zorg ervoor dat de joystick module kabel goed bevestigd en onbeschadigd is.
8	Mogelijke storing besturing	Controleer of alle verbindingen in orde zijn.
9	Slechte verbinding parkeerrem	Controleer de parkeerrem en motorverbindingen. Zorg ervoor dat de controllerverbindingen in orde zijn.
10	Te hoge spanning	Te hoge spanning wordt vaak veroorzaakt door slechte batterijverbinding. Controleer alle batterijverbindingen.

¹S = Blinkende LEDs Snelheidsindicator

6 Technische specificaties

Onderstaande technische gegevens zijn enkel geldig voor deze rolstoel, met standaard instellingen en optimale omgevingscondities. Houd bij gebruik rekening met deze details. Deze waarden zijn niet meer van toepassing als uw rolstoel werd gewijzigd, of wanneer hij beschadigd of ernstig versleten is. Houd er rekening mee dat de rijprestatie beïnvloed wordt door omgevingstemperatuur, luchtvochtigheid, hellingen (op/neer), soort oppervlak en batterijstatus.

Tabel 1: Technische specificaties

Merk	Vermeiren
Type	Elektronische rolstoel, klasse A
Model	Verso
Max. gebruikersgewicht	130 kg

Omschrijving	Afmetingen
Totale lengte met voetplaat	1078 mm (in kortste zitdiepte)
Totale breedte (afhankelijk van zitbreedte)	610 mm 630 mm 650 mm 670 mm
Totale hoogte	937 mm – 1002 mm
Totale massa	31,3 kg
Massa zwaarste onderdeel	Achterframe: 16,2 kg
Energieconsumptie *	12,8 Ah: 15 km 17,5 Ah: 21 km
Nominale helling	3°
Maximum hoogte hindernis	15 mm
Max. snelheid voorwaarts	6 km/h
Max. remafstand bij hoogste snelheid	1 m
Hoek zit	5°
Zitdiepte	420 - 480 mm
Zitbreedte	440 mm 460 mm 480 mm 500 mm
Zithoogte	521 mm
Hoek rug	5°
Hoogte rug	400 – 420 – 440 – 460 – 480 mm
Afstand tussen voetplaat en zit	370 – 500 mm
Hoek been tot zit	105°
Afstand armsteun tot zit	150 – 210 mm
Voorste positie armsteunen	322,5 mm – 370 mm
Draaicirkel	1145 mm
Grondspeling	61 mm
Diameter achterwielen	12"
Type achterwielen **	PU wielen
Diameter voorwielen	200x50

Merk	Vermeiren
Type	Elektronische rolstoel, klasse A
Model	Verso
Max. gebruikersgewicht	130 kg

Type voorwielen **	PU wielen
Omschrijving elektriciteit	
Batterij	12,8 Ah 17,5 Ah
Aandrijfmotoren	2 x 250W
Zekering	20 A
Sterktetesten volgens	ISO 7176-8
Testen voor vermogen en besturing volgens	ISO 7176-14
Brandweerstand van de bekleding volgens	EN1021-2:2006
EMC-compatibiliteit volgens	ISO 7176-21
Beschermingsklasse	IPX4
Geluidsdruk	< 65 dB (A)
Opslag- en gebruikstemperatuur	+5 °C ~ +41 °C
Werkings temperatuur van de elektronica	-10°C ~ +40°C
Opslag en gebruiksluchtvochtigheid	30% ~ 70%

We behouden ons het recht voor om technische wijzigingen te introduceren. Meettolerantie ± 15 mm / 1,5 kg / 1,5°.

*** De theoretische actieradius zal worden verlaagd als de rolstoel vaak wordt gebruikt op hellingen, ruw terrein of stoepranden.**

****Omdat verschillende banden gebruikt kunnen worden, controleer de correcte bandendruk voor de band die u gebruikt. Raadpleeg uw vakhandelaar voor andere diameters van de banden.**

Inhalt	1
Vorwort	2
1 Ihr Produkt	3
1.1 Optionen	3
2 Vor der Verwendung	4
2.1 Vorgesehene Verwendung	4
2.2 Allgemeine Sicherheitshinweise	4
2.3 Symbole am Rollstuhl	5
2.4 Transport	5
2.5 Montage/Demontage	6
2.6 Erstbenutzung und Lagerung	9
3 Benutzung des Rollstuhls	10
3.1 Erste Fahrt	10
3.2 Fahren im Freien	10
3.3 Bedienkonsole	12
3.4 Bremse und Freilaufhebel	13
3.5 Transfer in den/aus dem Rollstuhl	13
3.6 Komforteinstellungen	14
3.7 Akkustatus und Aufladung	16
3.8 Ein- und Ausschalten des Elektrogeräts	17
3.9 Einsetzen / Entnehmen des Akkus	18
4 Wartung	19
4.1 Wartungstermine	19
4.2 Wartungshinweise	19
4.3 Störungsbeseitigung	20
4.4 Voraussichtliche Nutzungsdauer	21
4.5 Wiederbenutzung	21
4.6 Nutzungsende	21
5 Störungsbeseitigung	22
6 Technische Daten	23

Vorwort

DE

Herzlichen Glückwunsch! Sie sind nun Besitzer eines Vermeiren-Rollstuhls!

Dieser Rollstuhl wurde von versierten und engagierten Mitarbeitern gefertigt. Es entspricht hinsichtlich Konstruktion und Fertigung den hohen Qualitätsstandards von Vermeiren.

Vielen Dank für Ihr Vertrauen in Produkte von Vermeiren. Dieses Handbuch soll Ihnen bei der Benutzung dieses Rollstuhls und seiner Bedienmöglichkeiten helfen. Lesen Sie es daher bitte aufmerksam durch, um sich mit der Bedienung, den Fähigkeiten und Beschränkungen Ihres Rollstuhls vertraut zu machen.

Sollten Sie nach der Lektüre dieses Handbuchs noch Fragen haben, können Sie sich jederzeit an Ihren Fachhändler wenden. Er wird Ihnen gerne in dieser Angelegenheit weiterhelfen.

Wichtiger Hinweis

Um Ihre Sicherheit zu gewährleisten und die Nutzungsdauer Ihres Produkts zu verlängern, sollten Sie es gut behandeln und regelmäßig überprüfen und/oder warten lassen.

Dieses Handbuch enthält die neuesten Produktentwicklungen. Vermeiren behält sich das Recht vor, Veränderungen an dieser Art von Produkt vorzunehmen, ohne eine Verpflichtung einzugehen, ähnliche bereits ausgelieferte Produkte anzupassen oder auszutauschen.

Die Abbildungen dienen zur Verdeutlichung der Anweisungen in diesem Handbuch. Das gezeigte Produkt kann in Details von Ihrem Produkt abweichen.

Verfügbare Informationen

Auf unserer Webseite <http://www.vermeiren.com/> finden Sie stets die aktuellste Version der folgenden Informationen. Informieren Sie sich bitte regelmäßig auf dieser Website nach eventuell verfügbaren Aktualisierungen.

Sehbehinderte Menschen können sich die elektronische Version dieses Handbuchs herunterladen und mit Hilfe einer Sprachsyntheselösung („Text-to-Speech-Software“) vorlesen lassen.



Dieses Benutzerhandbuch
Für Benutzer und Fachhändler



Montageanleitung (Hinweise zur Feineinstellung und (De)Montage)
Für Fachhändler



Servicehandbuch für Rollstühle
Für Fachhändler



EG-Konformitätserklärung

1 Ihr Produkt



- | | |
|------------------|--|
| 1. Rückenlehne | 7. Vorderräder |
| 2. Bedienkonsole | 8. Hinterräder / Antriebsräder mit Motor |
| 3. Armlehne | 9. Akku |
| 4. Sitz | 10. Kreuz |
| 5. Fußstütze | 11. Typenschild |
| 6. Fußplatte | |

1.1 Optionen

Für die Optionen wenden Sie sich bitte an Ihren Fachhändler. Er berät Sie gern.

2 Vor der Verwendung

2.1 Vorgesehene Verwendung

Dieser Abschnitt enthält eine kurze Beschreibung der vorgesehenen Benutzung Ihres Rollstuhls. Darüber hinaus enthalten die Anweisungen in den anderen Abschnitten zusätzliche Warnhinweise. Auf diese Weise wollen wir Sie auf die Möglichkeit einer unsachgemäßen Benutzung hinweisen.

- Dieser Rollstuhl ist für den Innen- und Außenbereich geeignet.
- Er ist ausschließlich dafür konzipiert und gefertigt, eine (1) Person mit einem Gewicht von maximal 130 kg zu transportieren. Er ist nicht dafür vorgesehen, Sachen oder Objekte zu transportieren oder zu anderen Zwecken als zuvor beschrieben benutzt zu werden.
- Dieser Rollstuhl kann vom darin sitzenden Benutzer bedient oder von einer Begleitperson geschoben werden. Sie dürfen diesen Rollstuhl NICHT benutzen, wenn Sie unter seelischen oder körperlichen Beeinträchtigungen leiden, die Sie oder andere Personen beim Fahren des Rollstuhls in Gefahr bringen könnten. Suchen Sie daher bitte zunächst Ihren Arzt auf und stellen Sie sicher, dass Ihr Fachhändler über dessen Rat informiert ist.
- Verwenden Sie ausschließlich von Vermeiren genehmigte Zubehör- oder Ersatzteile.
- Sehen Sie sich auch die technischen Daten und die Einschränkungen Ihres Rollstuhls in Abschnitt 6 an.
- Die Garantie für dieses Produkt beruht auf dessen normaler Benutzung und Wartung wie in diesem Handbuch beschrieben. Schäden an Ihrem Produkt, die auf unsachgemäße Benutzung oder mangelnde Wartung zurückzuführen sind, führen zum Erlöschen der Garantie.

2.2 Allgemeine Sicherheitshinweise

**VORSICHT**

Gefahr von Personen- und/oder Sachschäden

Bitte lesen und befolgen Sie die Anweisungen in dieser Bedienungsanleitung, da andernfalls Verletzungsgefahr besteht oder Ihr Rollstuhl beschädigt werden könnte.

Beachten Sie bei der Benutzung die folgenden allgemeinen Warnhinweise:

- Benutzen Sie Ihren Rollstuhl nicht, wenn Sie unter dem Einfluss von Alkohol, Medikamenten oder anderen Substanzen stehen, die Ihre Fahrtüchtigkeit beeinträchtigen könnten.
- Beachten Sie, dass einige Komponenten Ihres Rollstuhls durch Einflüsse wie Umgebungstemperatur, Sonneneinstrahlung, Heizvorrichtungen oder Motorbetrieb sehr heiß oder kalt werden können. Seien Sie daher vorsichtig beim Berühren. Tragen Sie bei kaltem Wetter Schutzbekleidung. Warten Sie nach der Benutzung, bis sich der Rollstuhl/Motor abgekühlt hat.
- Achten Sie vor dem Einschalten des Rollstuhls darauf, in welcher Umgebung/Situation Sie sich befinden. Stellen Sie Ihre Geschwindigkeit entsprechend ein, bevor Sie losfahren. Wir empfehlen, beim Fahren in Innenräumen die langsamste Geschwindigkeitseinstellung zu wählen. Beim Fahren im Freien können Sie eine Geschwindigkeit wählen, bei der Sie sich wohl und sicher fühlen.
- Beachten Sie STETS, dass Ihr Rollstuhl bei entlademem Akku oder zur Vermeidung etwaiger Schäden am Rollstuhl plötzlich anhalten kann. Überprüfen Sie auch die in Abschnitt 4.3 genannten Ursachen. Benutzen Sie den Sicherheitsgurt, um Verletzungen zu vermeiden.
- Ihr Rollstuhl wurde auf elektromagnetische Verträglichkeit geprüft und erfüllt die entsprechende Norm (siehe Abschnitt 6). Dennoch können Quellen elektromagnetischer Felder wie Mobiltelefone, Stromgeneratoren oder Energiequellen mit hoher Leistung die Fahrleistung Ihres Rollstuhls beeinträchtigen. Andererseits kann auch die Elektronik Ihres Rollstuhls Einfluss auf andere elektronische Geräte wie Alarmanlagen in Geschäften und Automattüren haben. Wir empfehlen daher, Ihren Rollstuhl regelmäßig auf Beschädigungen und Verschleiß zu

überprüfen, weil dadurch solche Störeinwirkungen verstärkt werden können (siehe auch Abschnitt 4).

- Fahren Sie nur auf ebenen Flächen, so dass sich beide Antriebsräder auf dem Boden befinden und ausreichend Kontakt für einen sicheren Betrieb des Rollstuhls haben.
- Ohne vorherige Rücksprache mit dem Hersteller sollten Fixierungspunkte oder Struktur- und Rahmenteile oder -komponenten des Rollstuhls weder verändert noch ersetzt werden.
- Achten Sie während des Betriebs darauf, dass Finger, Kleidung, Gürtel, Schnallen oder Schmuck nicht von den Rädern oder anderen beweglichen Teilen erfasst werden.

Denken Sie bitte daran, dass Ihr Rollstuhl je nach den verwendeten Einstellungen einige Diebstahlsicherungen stören kann. Dadurch kann der Alarm ausgelöst werden.

Jedes schwerwiegende Vorkommnis [MDR (EU) 2017/745 §2 (65)], das im Zusammenhang mit dem Produkt aufgetreten ist, sollte dem Hersteller und der zuständigen Behörde des Mitgliedstaats, in dem der Anwender und/oder Patient ansässig ist, gemeldet werden.

2.3 Symbole am Rollstuhl

Die nachstehend aufgeführten Symbole gelten für Ihren Rollstuhl. Symbole sind in der entsprechenden ISO-Norm (ISO 7000, ISO 7001 und IEC 417) zu finden.



Maximalgewicht des Benutzers (in kg)



Nur Innenbenutzung (nur Akkuladegerät)



Maximale Neigungssicherheit in ° (Grad).



Höchstgeschwindigkeit



Typbezeichnung



Einklemmgefahr

2.4 Transport

VORSICHT

Beschädigungsgefahr

Treffen Sie Vorkehrungen, um den Rollstuhl vor Transportschäden zu schützen.

2.4.1 Beiseiteschaffen

Benutzen Sie die Bedienkonsole, um den Rollstuhl an den gewünschten Stellplatz zu bewegen. Alternativ bringen Sie den Rollstuhl in den Freilaufmodus (siehe Abschnitt 3.4) und benutzen den Schiebebügel.

2.4.2 Transport im Flugzeug

Wenn Sie den Rollstuhl im Flugzeug transportieren, verriegeln Sie den Akku und klemmen ihn ab, bevor Sie den Rollstuhl dem Flughafenpersonal übergeben (siehe §3.9 und §3.8). Der Akku kann im Rollstuhl verbleiben. Erkundigen Sie sich bitte bei Ihrer Fluggesellschaft nach dem richtigen Verfahren.



2.4.3 Transport in einem Fahrzeug (als Gepäck)

Die beste Art, Ihren elektrischen Rollstuhl zu transportieren, besteht darin, ihn mit Hilfe von Rampen in das Fahrzeug zu fahren. Falls Sie ungeübt im Befahren von Rampen sind, können Sie den Rollstuhl in den neutralen Modus bringen und ihn dann über die Rampen ins Fahrzeug schieben. Demontieren Sie den Rollstuhl gegebenenfalls.

1. Als Rollstuhlfahrer auf einen Fahrzeugsitz umsteigen (siehe Abschnitt 3.5).
2. Entfernen Sie vor einem Transport alle beweglichen Teile (Fußstützen, Armlehnen usw.).
3. Legen Sie die beweglichen Teile sicher hinter dem Fahrzeugsitz oder im Kofferraum ab.
4. Fahren oder schieben Sie den elektrischen Rollstuhl über Rampen ins Fahrzeug oder heben Sie ihn mit Hilfe von zwei Personen hinein, indem Sie an den festen Rahmenteil anfassend.
5. Verzurren Sie die festen Teile des Rahmens sicher am Fahrzeug.
6. Bringen Sie den Rollstuhl in den Fahrmodus (Handbremsen betätigen) und kontrollieren Sie, ob die Bedienkonsole ausgeschaltet ist.

2.5 Montage/Demontage



VORSICHT

Verletzungsgefahr

- Achten Sie bei der De/Montage darauf, dass Finger, Kleidung oder Schnallen nicht von beweglichen Teilen erfasst werden.

Ihr Händler liefert den Rollstuhl vollständig montiert und erklärt Ihnen die verschiedenen Bedienelemente und deren Benutzung. Außerdem stellen wir hier eine weitere ausführliche Erläuterung der verschiedenen Teile für Transportzwecke bereit

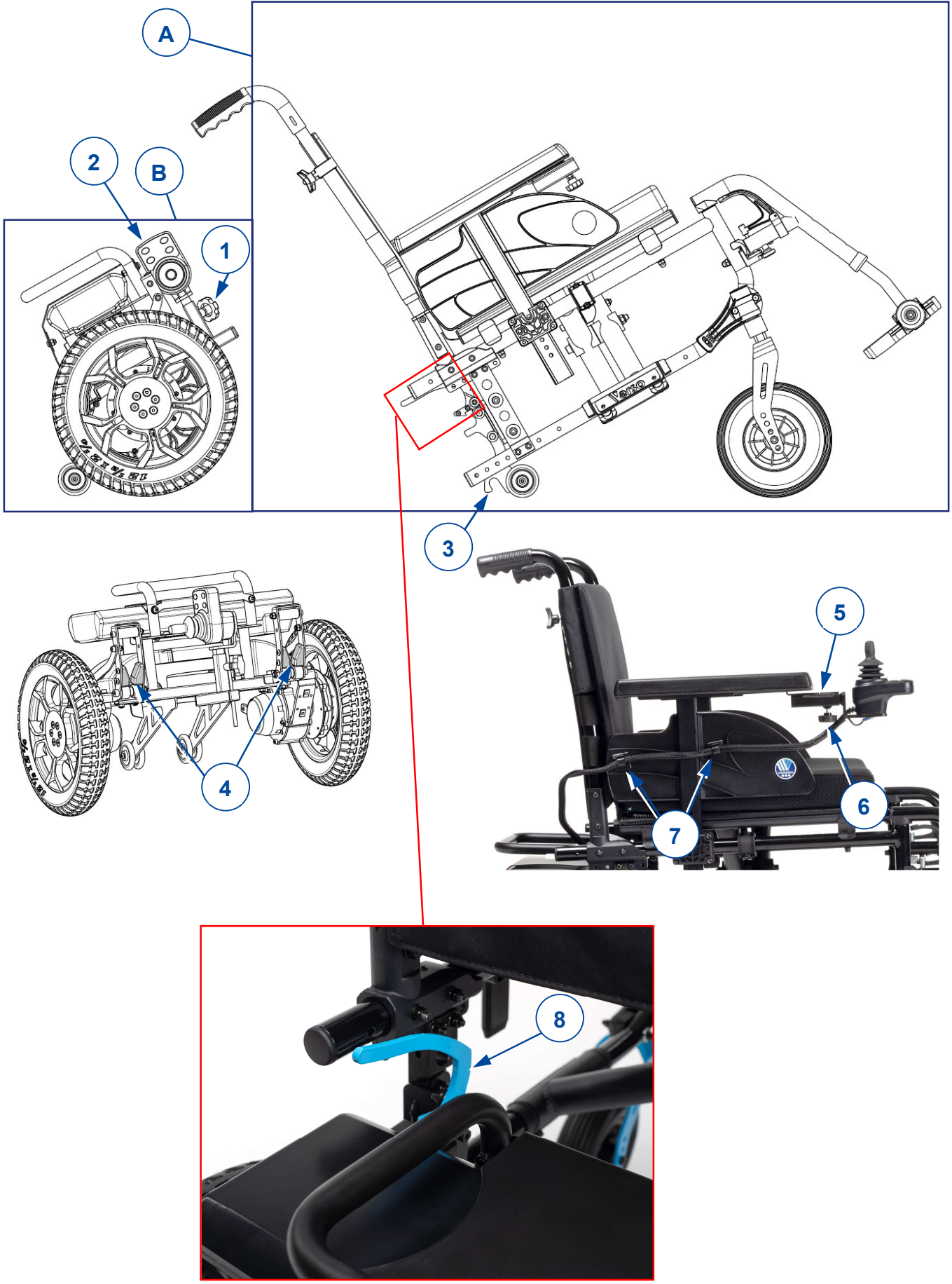
Montage des Elektrorollstuhls:

1. Den Sitzrahmen (A) auseinanderklappen.
2. Den Sitzrahmen auf die Vorderräder und die hinteren Stützräder aufsetzen.
3. Die Antriebseinheit (B) hinter dem Sitzrahmen positionieren.
4. Den Sterngriff (1) abschrauben und die Bedienkonsole (2) von der Antriebseinheit abnehmen. Stellen Sie die Konsole vorübergehend an einem sicheren Ort ab, beispielsweise über der Rückenlehne.
5. Die Haken des Sitzrahmens (3) auf die Stangen (4) der Antriebseinheit aufsetzen.
6. Drücken Sie den Sitzrahmen nach unten, bis ein hörbares Klicken zu hören ist und der Rahmen sicher an der Antriebsstrangeinheit befestigt ist, sowohl links als auch rechts. Prüfen Sie, ob die Haken (8) in der unteren Position eingerastet sind.
Wenn der Sitzrahmen nicht automatisch einrastet, setzen Sie den Rahmen auf die Antriebseinheit und drücken Sie die Haken (8) manuell nach unten.
7. Bringen Sie die Armlehnen an (§3.6.2).
8. Bringen Sie die Fußstützen an (§3.6.1).
9. Schieben Sie die Bedienkonsole in die Armlehnenstütze (5) ein. Ziehen Sie den Sterngriff (6) fest und sichern Sie das Kabel mit den Klemmen (7).

So demontieren Sie den Elektrorollstuhl:

1. Lösen Sie das Kabel aus den Klemmen an der Armlehne. Lösen Sie den Sterngriff (6) an der Bedienkonsolenhalterung und schieben Sie die Konsole heraus. Stellen Sie die Konsole vorübergehend an einem sicheren Ort ab.
2. Ziehen Sie die Haken (8) an beiden Seiten des unteren Rahmens nach oben. Damit ist die Antriebseinheit nun vom Rahmen getrennt und kippt nach hinten auf ihre Stützräder.
3. Ziehen Sie den Sitzrahmen nach oben heraus und von der Antriebseinheit weg.
4. Bauen Sie die Armlehnen aus.
5. Entfernen Sie die Fußstützen.
6. Klappen Sie den Sitzrahmen zusammen.
7. Setzen Sie die Bedienkonsole (2) in die dafür vorgesehene Halterung an der Antriebseinheit ein und ziehen Sie den Sterngriff (1) fest.

DE



2.6 Erstbenutzung und Lagerung

 VORSICHT Gefahr eines Akkuschadens

- Achten Sie darauf, den Akku niemals vollständig zu entladen.
- Unterbrechen Sie den Ladezyklus nicht und trennen Sie das Ladegerät erst ab, wenn der Akku vollständig aufgeladen ist.
- Achten Sie darauf, dass Ihr Rollstuhl trocken untergebracht ist, um zu verhindern, dass sich Schimmel bildet und die Polsterung beschädigt wird.
- Informieren Sie sich über die technischen Details der Lagerung (siehe Abschnitt 6).

Achten Sie darauf, dass der Akku vollständig aufgeladen ist, bevor Sie Ihren Rollstuhl benutzen. Erkundigen Sie sich bei Ihrem Händler, ob dies bereits geschehen ist oder nicht. Befolgen Sie zum Aufladen die Anweisungen in Abschnitt 3.7.

3 Benutzung des Rollstuhls

**WARNUNG**

Verletzungsgefahr

- Lesen Sie zunächst die vorangegangenen Kapitel und informieren Sie sich über den Verwendungszweck. Benutzen Sie den Rollstuhl NICHT, bevor Sie alle Anweisungen aufmerksam gelesen und vollständig verstanden haben.
- Lesen Sie auch die Anweisungen im Handbuch zur Bedienkonsole und zum Ladegerät!
- Bei Zweifeln oder Fragen wenden Sie sich bitte zwecks Hilfe an Ihren Fachhändler, Pflegedienst oder Fachberater.

3.1 Erste Fahrt

**VORSICHT**

Gefahr von Personen- oder Sachschäden

- Berücksichtigen Sie stets den Schwenkbereich der Fußstütze und der Bedienkonsole, um keine Passanten zu verletzen oder Gegenstände zu beschädigen.
- Trennen Sie immer das Ladegerät vom Rollstuhl ab, bevor Sie losfahren.

- i**
- Stellen Sie sicher, dass Sie mit dem Betrieb Ihres Rollstuhls vertraut sind, bevor Sie ihn an überfüllten und damit möglicherweise gefährlichen Orten benutzen. Üben Sie zunächst in einem weiträumigen, freien Bereich mit wenigen Passanten.
 - Erkunden Sie, wie sich eine Schwerpunktverlagerung auf das Fahrverhalten des Rollstuhls auswirkt, indem Sie beispielsweise Steigungen hinauf- und herunterfahren, Schrägpässagen befahren oder Hindernisse überwinden. Lassen Sie sich hierbei von einem Assistenten helfen.
 - Während des Betriebs kann die Oberfläche der Bedienkonsole etwas warm werden.
 - Beim Rückwärtsfahren ist die Geschwindigkeit reduziert.

1. Stellen Sie sicher, dass
 - der Rollstuhl auf einer ebenen Fläche steht
 - der Akku voll aufgeladen ist; siehe § 3.7;
 - der Motor angekoppelt ist (siehe § 3.4)
 - der Rollstuhl auf Ihre Erfordernisse und Komfortwünsche abgestimmt ist (siehe § 3.6)
 - Sie die korrekte Sitzposition eingenommen haben (siehe Abschnitt 3.5)
2. Befolgen Sie die Anweisungen im Handbuch zur Bedienkonsole.
3. Schalten Sie den Rollstuhl ein.
4. Stellen Sie die Geschwindigkeitssteuerung auf die geringste Geschwindigkeit ein.
5. Üben Sie, wie man fährt und Einstellungen am Rollstuhl vornimmt.
6. Sobald Sie sich sicher genug fühlen, können Sie dies bei höherer Geschwindigkeit wiederholen.
7. Versuchen Sie nun, vorwärts und rückwärts um die Kurve zu fahren. Wiederholen Sie dies einige Male.
8. Achten Sie darauf, dass Ihr Rollstuhl stabil steht, wenn Sie anhalten.
9. Schalten Sie den Rollstuhl aus.

3.2 Fahren im Freien

**WARNUNG**

Unfallgefahr – Passen Sie Ihr Fahrverhalten und Ihre Geschwindigkeit entsprechend an.

- Halten Sie sich an die jeweils geltenden Straßenverkehrsvorschriften. Dies gilt für das Befahren von Gehwegen sowie unbefestigten oder befestigten Straßen.
- Fahren Sie nicht auf Straßen mit starkem Verkehrsaufkommen.

- Berücksichtigen die jeweiligen Witterungsbedingungen. Vermeiden Sie es, bei feuchtem Wetter, extremer Hitze, Schnee, Glatteis, Minustemperaturen zu fahren (siehe technische Daten in Abschnitt 6).
- Achten Sie darauf, dass Sie auch bei Tag stets gut zu sehen sind, indem Sie fluoreszierende Kleidung tragen und/oder selbst eine Beleuchtung vorn und hinten am Rollstuhl anbringen.
- Achten Sie auf andere Verkehrsteilnehmer, für die Ihr Rollstuhl ein Hindernis sein könnte. Seien Sie besonders achtsam beim Wenden und beim Rückwärtsfahren. Falls Sie noch nicht darin versiert sind, rückwärts zu fahren, sollten Sie dies zunächst an einem ruhigen Ort üben. Zeigen Sie an, wohin Sie fahren wollen, bevor Sie Ihre Fahrtrichtung wechseln.
- Versuchen Sie, enge Passagen gerade zu durchfahren, um nicht steckenzubleiben.
- Berücksichtigen Sie Ihren Bremsweg. Beachten Sie, dass der Bremsweg von Geschwindigkeit, Oberflächenbeschaffenheit, Wetterbedingungen, Gefälle und Gewicht des Benutzers abhängig ist.

3.2.1 Befahren von Steigungen/Gefällen, Bordsteinen, Hindernissen oder Rampen

 **VORSICHT** Verletzungsgefahr bei unerwarteter Bewegung

- Legen Sie zu Ihrem eigenen Schutz den Sicherheitsgurt im Rollstuhl an.
 - Achten Sie darauf, ob der Weg sandig ist, einen weichen Untergrund beziehungsweise Löcher oder Spalten aufweist, in die die Räder hineingeraten beziehungsweise die die Traktionskraft der Antriebsräder verringern können.
 - Befahren Sie KEINE Böschungen, Hindernisse, Stufen oder Randsteine, die größer als vom Hersteller beschrieben sind (siehe technische Daten in Abschnitt 6).
 - Fahren Sie immer rechtwinklig an einen Randstein heran.
 - Bringen Sie den Rollstuhl an einer Böschung nicht in den Freilaufmodus. Der Rollstuhl könnte sich in Bewegung setzen und Sie oder Passanten verletzen.
 - Benutzen Sie den Rollstuhl nicht auf einer Rolltreppe.
 - Benutzen Sie ausschließlich von Vermeiren zugelassene Rampen und überschreiten Sie nie deren Maximalbelastung.
 - Um Hindernisse oder Steigungen sicher zu überwinden, bringen Sie den Rollstuhl in eine möglichst aufrechte Sitzposition.
- i** Wenn Sie an einer Böschung anhalten, wird automatisch die Bremse aktiviert, um zu verhindern, dass der Rollstuhl vor- oder zurückrollt.

VORSICHT Beschädigungsgefahr

- Parken Sie Ihren elektrischen Rollstuhl auf einer ebenen Fläche und so, dass er leicht zugänglich ist.
- Nehmen Sie ggf. etwas Anlauf, um den Rollstuhl zum Überfahren eines Hindernisses oder Randsteins zu beschleunigen. Vermeiden Sie es, dass der Rollstuhl stark zurückprallt.
- Stellen Sie sicher, dass der Rollstuhl aufgrund seiner Schräglage nicht den Boden oder die Rampe berührt.
- Denken Sie daran, dass der Bremsweg auf abschüssigen Passagen erheblich länger als auf ebenem Grund sein kann.

Vorgehensweise

- Beginnen Sie Ihre Fahrt entsprechend den Anweisungen in Abschnitt 3.1, Schritt 1.
- Benutzen Sie eine Hebevorrichtung oder Rampe, um den Rollstuhl an Treppen/Stufen hinauf- oder herunterzuschaffen. Sollte dies nicht möglich sein, kann er manuell von mindestens drei Personen transportiert werden, indem sie ihn mit beiden Händen am Rahmen ergreifen. Heben Sie den Rollstuhl weder an der Rückenlehne, den Fuß- oder Armlehnen noch an den Rädern an.
- Bewältigen von Hindernissen oder Steigungen:

1. Bringen Sie den Rollstuhl in eine möglichst stabile Stellung (siehe Abschnitt 3.5).
2. Fahren Sie so langsam wie möglich, um das Hindernis oder die Steigung zu bewältigen.

3.3 Bedienkonsole

- i** Bringen Sie den Joystick in die Neutral(Mittel)stellung, bevor Sie die EIN/AUS-Taste betätigen. Andernfalls wird die Elektronik gesperrt. Um diese Sperre aufzuheben, schalten Sie die Bedienkonsole aus und dann wieder ein.

1. Ein- / Aus-Taste (ON/OFF)
2. Akkuladestandsanzeige
3. Geschwindigkeitsanzeige
4. Signalhorn Taste
5. Taste zum Verringern der Geschwindigkeit
6. Taste zum Erhöhen der Geschwindigkeit
7. Joystick



3.3.1 Technische Schutzvorkehrungen

Zu Ihrer eigenen Sicherheit und zur Vermeidung von Schäden am Rollstuhl werden die Bewegungen von der Elektronik überwacht. Dies kann zu einer Verringerung der Geschwindigkeit oder zum vollständigen Stillstand führen.


- Um zu verhindern, dass der Akku versehentlich entladen wird, hat Ihr Rollstuhl ein automatisches Abschaltssystem. Dieses System schaltet die Bedienkonsole automatisch aus, wenn sie eine Zeit lang nicht benutzt wird. In einem solchen Fall schalten Sie die Konsole einfach wieder ein.
- Achten Sie darauf, dass sich der Freilaufhebel in der Bremsstellung befindet, BEVOR Sie den Rollstuhl einschalten. Die elektromagnetischen Bremsen funktionieren NICHT, wenn sich der Rollstuhl im Freilaufmodus befindet. Dies wird auf der Bedienkonsole angezeigt. Fahren ist dann nicht möglich.

3.3.2 Fahren

1. Zum Einschalten des Rollstuhls drücken Sie die ON/OFF-Taste (1).
2. Wenn die Leuchten der Akkuladeanzeige (2) und der Geschwindigkeitsanzeige (3) aufleuchten, ist der Rollstuhl eingeschaltet und fahrbereit.
3. Kontrollieren Sie die Akkustatusanzeige. Laden Sie den Akku ggf. auf (siehe Abschnitt 3.7).
4. Stellen Sie die Fahrgeschwindigkeit ein: Verringern Sie die Geschwindigkeit mit der Taste zum Verringern der Geschwindigkeit (5), oder erhöhen Sie die Geschwindigkeit mit der Taste zum Erhöhen der Geschwindigkeit (6).
5. Beginnen Sie, den Rollstuhl zu bewegen, indem Sie den Joystick (7) langsam vorwärts/rückwärts bewegen.
6. Die Geschwindigkeit nimmt zu, je stärker der Joystick aus seiner Mittelstellung gedrückt wird.
7. Um nach links oder rechts zu fahren, drücken Sie den Joystick entsprechend nach links bzw. rechts.
8. Um abzubremsen, bringen Sie den Joystick in die Neutralstellung.
9. Drücken Sie bei Bedarf die Hupentaste (4), um andere Verkehrsteilnehmer zu warnen.

- Überprüfen Sie nach der Ankunft den Akkustatus und drücken Sie die ON/OFF-Taste, um den Rollstuhl auszuschalten.
- Laden Sie den Akku ggf. auf.

3.4 Bremse und Freilaufhebel

 **ACHTUNG** Gefahr von Verletzungen oder Schäden

- Betätigen Sie den Freilaufhebel nur, wenn Ihr Rollstuhl AUS ist! Der Freilaufhebel sollte von einem Assistenten bedient werden. Betätigen Sie den Freilaufhebel NIEMALS, wenn Sie Ihre Sitzposition eingenommen haben.
- Benutzen Sie den Freilaufmodus niemals an Steigungen oder Gefällen.

i Achten Sie darauf, dass sich der Freilaufhebel in der Bremsstellung befindet, BEVOR Sie den Rollstuhl einschalten. Die elektromagnetischen Bremsen funktionieren NICHT, wenn sich der Rollstuhl im Freilaufmodus befindet. Dies wird auf der Bedienkonsole angezeigt. Fahren ist dann nicht möglich.

Ihr Rollstuhl hat elektromagnetische Bremsen. Die Funktionsweise der Bremsen ist von der Stellung des Freilaufhebels (1) abhängig.

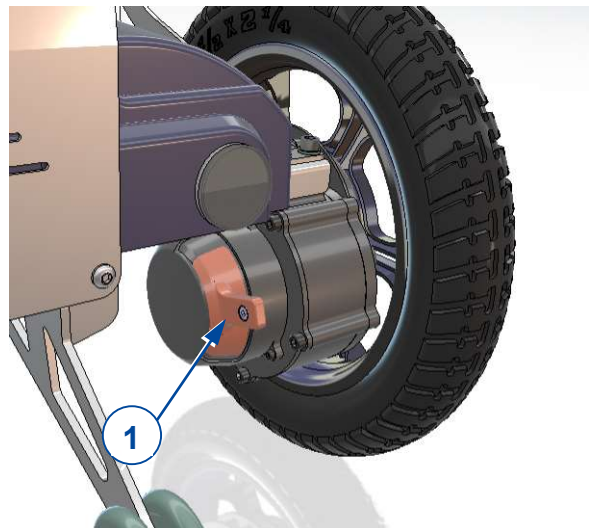
Diese Bremsen funktionieren automatisch, **jedoch nur**, wenn sich der Freilaufhebel (1) in der Bremsstellung befindet. In folgenden Fällen wird Bremse aktiviert:

- der Rollstuhl ist AUS
- der Rollstuhl ist AN und der Joystick wird losgelassen

Wenn der Joystick losgelassen wird, stoppt der Rollstuhl langsam und die Bremsen werden aktiviert.

Bedienung des Freilaufhebels:

- Drehen Sie die Hebel hoch (UP), um den Rollstuhl in den Freilaufmodus zu versetzen. Der Motor ist nun abgetrennt. Der Rollstuhl kann manuell bewegt werden.
- Drehen Sie die Hebel hinunter (DOWN), um den Motor mit dem Antrieb zu verbinden. Dies sollte erfolgen, bevor der Rollstuhl gestartet wird.



3.5 Transfer in den/aus dem Rollstuhl

 **ACHTUNG** Gefahr von Verletzungen oder Schäden

- Falls Sie den Vorgang allein nicht sicher bewältigen können, bitten Sie jemanden um Hilfe.
- Stellen Sie sich beim Umsetzen in den oder aus dem Rollstuhl nicht auf die Fußplatten.

Transfer

- Stellen Sie den Rollstuhl möglichst dicht neben sich, wenn Sie in einem Sessel, auf einem Sofa, Stuhl oder Bett sitzen.
- Um die Bremsen zu aktivieren, drehen Sie den Freilaufhebel (13) in die Bremsstellung (siehe § 3.4).
- Klappen Sie die Fußplatte(n) nach unten, um sich nicht auf sie zu stellen.
- Klappen Sie ggf. eine Armlehne zurück, um mehr Platz zu haben (siehe Abschnitt 3.6.2).
- Bewegen Sie sich aus eigener Kraft mit den Armen oder mit Hilfe von Dritten in den Rollstuhl hinein oder aus ihm heraus.

Sitzen im Rollstuhl

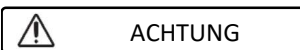
1. Setzen Sie sich so hin, dass Ihr unterer Rücken an der Rückenlehne anliegt
2. Klappen Sie die Fußplatte(n) wieder herunter und stellen Sie Ihre Füße darauf.
3. Klappen Sie die Armlehne ggf. wieder herunter.
4. Achten Sie darauf, dass Ihre Oberschenkel horizontal sind und Ihre Füße eine bequeme Stellung haben. Nehmen Sie ggf. Anpassungen vor.
5. Achten Sie darauf, dass Ihre Arme gebeugt sind und bequem auf den Armpolstern aufliegen. Nehmen Sie ggf. Anpassungen vor.

Herstellen einer stabilen Position

Wenn der Rollstuhl transportiert werden soll oder Sie Hindernisse damit bewältigen wollen, muss er seine maximale Stabilität haben:

- Rückenlehne aufrecht
- Fußplatte hochgeklappt

3.6 Komforteinstellungen

**ACHTUNG**

Gefahr von Verletzungen oder Schäden

- Die folgenden Komforteinstellungen können vom Begleit- oder Pflegepersonal vorgenommen werden. Alle sonstigen Einstellungen sind vom Fachhändler gemäß den Montageanweisungen vorzunehmen (siehe Vorwort).
- Achten Sie bei Einstellungen am Rollstuhl darauf, dass Finger, Kleidung oder Schnallen nicht von beweglichen Teilen erfasst werden.

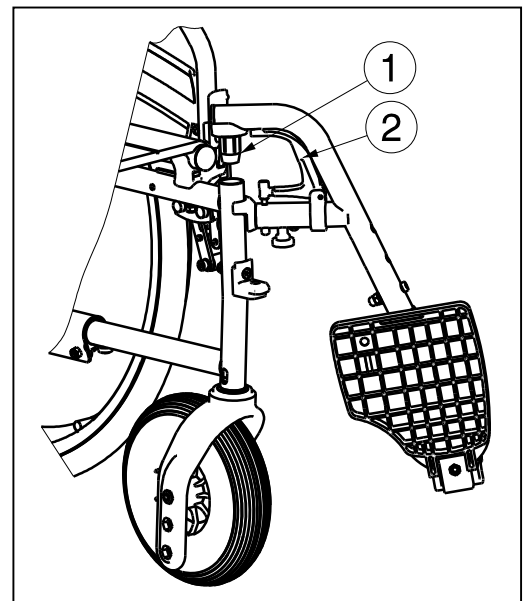
3.6.1 Montage oder Demontage der Fußstützen

Bei der Montage der Fußstützen geht man wie folgt vor:

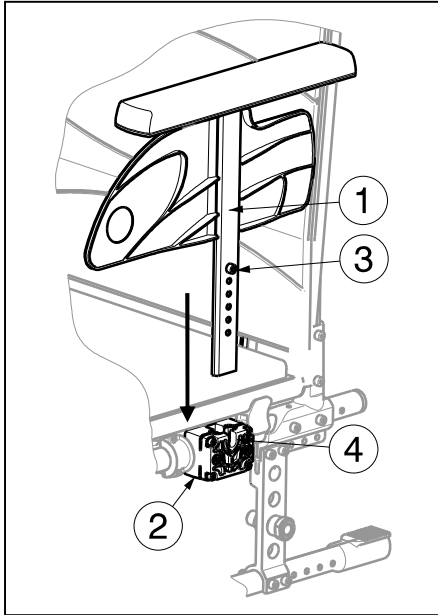
1. Halten Sie die Fußstütze seitlich an der Außenseite des Rollstuhlrahmens und setzen Sie die Rohrhaube ① in den Rahmen ein.
2. Schwenken Sie die Fußstütze nach innen, bis sie einrastet.
3. Schwenken Sie die Fußplatte nach unten.

Zum Abnehmen der Fußstützen:

1. Ziehen Sie den Hebel ②.
2. Schwenken Sie die Fußstütze nach außen, bis sie sich aus der Führung löst.
3. Ziehen Sie die Fußstütze aus der Rohrhaube ①.

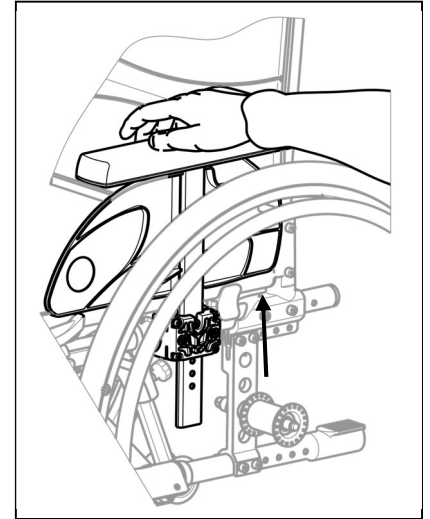


3.6.2 Anbringen oder Abnehmen der Armlehnen



Die Armlehnen des Rollstuhls können wie folgt angebracht werden.

1. Befestigen Sie die Armlehne ① in der Armlehnenhalterung, ② bis die Schraube ③ in die Hülse passt ④.
2. Sicherstellen, dass die Armlehne ① gut befestigt ist.



Zum Ausbauen der Armlehne:

1. Ergreifen Sie die Armlehne und ziehen Sie sie vorsichtig aus der Armlehnenhalterung heraus.

3.6.3 Höhe der Rückenlehne

Die Rückenlehne besitzt 5 Höheneinstellungen.

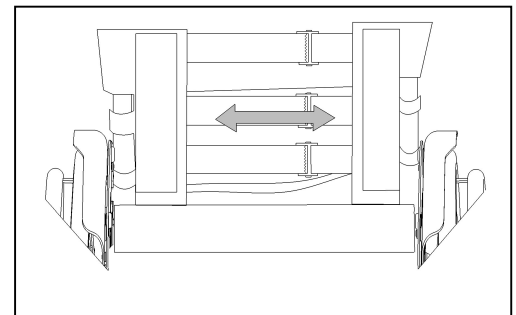
1. Bauen Sie den Sterngriff (1) aus.
2. Schieben Sie die Rückenlehne hoch/hinunter, bis die gewünschte Höhe erreicht ist. Achten Sie darauf, dass das Loch für den Sterngriff im Rahmenrohr mit einem der Löcher in der Polsterung übereinstimmt.
3. Den Sterngriff auswechseln und erneut festziehen.



3.6.4 Rückenlehnen stütze

Die Rückenlehne des Rollstuhls verfügt über ein Aufhängesystem mit verstellbaren Klettverschlüssen, um die Flexibilität der Rückenlehne einzustellen.

1. Ziehen Sie das Rückenkissen von den Klettverschlüssen der Rückenlehne ab.
2. Lösen Sie die Klettverschlüsse.
3. Ziehen Sie den jeweiligen Gurt in die gewünschte Position. Die Spannung der einzelnen Gurte kann variiert und damit die gewünschte Unterstützung des Rückens eingestellt werden.
4. Legen Sie das Rückenkissen beginnend auf der Vorderseite und auf der Rückseite endend über die Rückenlehne.
5. Sichern Sie die Klettverbindungen, indem Sie das Kissen mit der Hand gegen die Rückenlehne drücken.
6. Stellen Sie sicher, dass alle Gurte mit einem Klettverschluss gesichert sind.



3.6.5 Höhe des Schiebegriffs

Die Schiebegriffe können über einen Abstand von 60 mm verstellt werden:

1. Lösen Sie den Sterngriff (1) .
2. Bewegen Sie den Handgriff bis auf die gewünschte Höhe hinauf / hinunter.
3. Ziehen Sie den Sterngriff (1) wieder fest.
4. Wiederholen Sie den Vorgang mit dem anderen Griff.
Vergewissern Sie sich, dass beide Griffe gut befestigt sind.



3.7 Akkustatus und Aufladung

 **WARNUNG** Gefahr von Personen- und Sachschäden durch Feuer

- Benutzen Sie ausschließlich das zum Lieferumfang des Rollstuhls gehörende Ladegerät. Die Benutzung eines anderen Ladegeräts kann mit Gefahren verbunden sein (Brandgefahr).
- Das Ladegerät ist nur dafür vorgesehen, die mit dem Rollstuhl mitgelieferten Akkus aufzuladen, keine anderen Akkus.
- Nehmen Sie keine Veränderungen an mitgelieferten Teilen wie Kabel, Stecker oder dem Ladegerät vor. Der Akku oder die Anschlusskontakte dürfen darf keinesfalls geöffnet oder verändert werden.
- Schützen Sie den Akku und das Ladegerät vor offenem Feuer, hohen und niedrigen Temperaturen (siehe Abschnitt 6), Feuchtigkeit, Sonneneinstrahlung und starken Erschütterungen (z. B. Sturz). Benutzen Sie den Akku NICHT, wenn eine dieser Bedingungen vorliegt.
- Laden Sie den Akku mit Hilfe des Ladegeräts in einem gut belüfteten Gebäudebereich außerhalb der Reichweite von Kindern auf.

 **VORSICHT** Beschädigungsgefahr

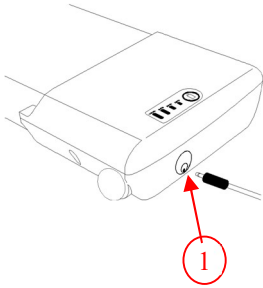
- Der Akku wird durch Selbstentladung und den Ruhestrom der angeschlossenen Verbraucher allmählich entladen. Der Akku kann irreversibel beschädigt werden, wenn er vollständig entladen wird. Daher ist sicherzustellen, dass der Akku rechtzeitig aufgeladen wird (siehe 3.7).
- Lesen Sie die Lagerungs- und Wartungsanweisungen 4 und die technischen Details im § 6.
- Laden Sie Akkus nie unter 0°C auf. Bringen Sie den Akku an einen wärmeren Ort und starten Sie den Aufladevorgang.
- Halten Sie die Anschlusskontakte des Ladegeräts frei von Staub und anderen Verunreinigungen.
- Sollte sich der Akku nicht gemäß den nachstehenden Anweisungen aufladen lassen, wenden Sie sich bitte an Ihren Fachhändler.

- i** Alle Angaben zur Akkustatusanzeige entnehmen Sie bitte §3.7.
Das Akkuladegerät sollte von der Netzstromversorgung abgetrennt werden, wenn es nicht benutzt wird. Dies verhindert einen unnötigen Energieverbrauch.

Überprüfen Sie den Akku vor dem Aufladen immer auf Schäden. Drücken Sie die Taste der Ladeanzeige 2 Sekunden lang, um den Akku einzuschalten. Wenn keine LED der Ladeanzeige aufleuchtet, ist der Akku möglicherweise beschädigt. Wenn mindestens eine, aber nicht alle LEDs der Ladeanzeige aufleuchten, laden Sie den Akku vor dem ersten Gebrauch vollständig auf.

Laden oder verwenden Sie einen beschädigten Akku nicht, sondern wenden Sie sich an Ihren Fachhändler.

Um die volle Akkukapazität zu gewährleisten, laden Sie den Akku vor der ersten Nutzung vollständig über das Ladegerät auf. Der Akku kann jederzeit am Rollstuhl oder auch ohne Rollstuhl aufgeladen werden.



Anleitung zum Aufladen des Akkus:

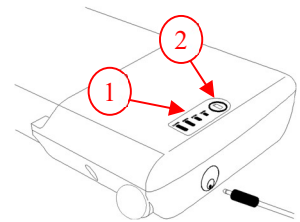
1. Schalten Sie den Akku aus.
2. Entnehmen Sie, falls gewünscht, den Akku aus dem Akkugehäuse und verhindern Sie, dass Schmutz oder Flüssigkeiten in die Ladebuchse gelangen.
3. Schließen Sie den Stecker des Ladegeräts an den Akku an ①.
4. Stecken Sie den Netzstecker des Ladegeräts in die Steckdose.
5. Die LED-Anzeige am Ladegerät zeigt den Status des Ladevorgangs an:
 - Rot - Aufladen
 - Grün - Standby / Voll aufgeladen
6. Sobald der Akku vollständig aufgeladen ist, entfernen Sie das Ladegerät aus der Steckdose und den Akku.

3.7.1 Akkuladestandsanzeige

Es gibt zwei Akkuladeanzeigen:

Auf dem Akkupack:

1. Drücken Sie die Taste ② auf dem Akkupack.
2. Den LEDs der Akkuladeanzeige ① ist der Ladezustand des Akkus zu entnehmen.



Bedienkonsole:

Wenn die elektrische Anlage eingeschaltet ist, zeigt die Akkuanzeige (2, §3.3) den Ladezustand des Akkus an.

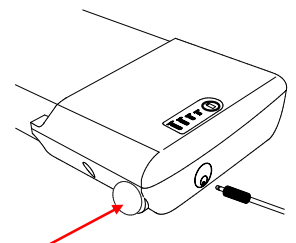
- Alle LEDs leuchten: Der Akku ist voll aufgeladen.
- Nur das rote LED leuchtet oder blinkt: Akku sofort aufladen.

Aufgrund der Verkabelung können die beiden Anzeigen ein wenig unterschiedlich sein. Verwenden Sie in diesem Fall die ungünstigere Ladezustandsanzeige.



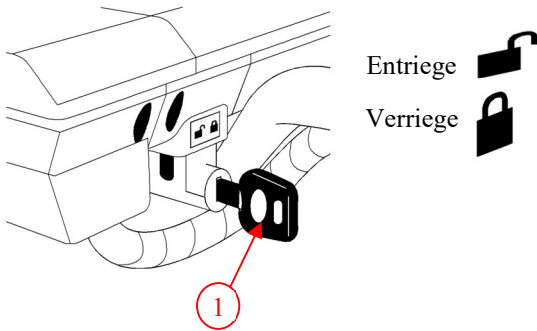
3.8 Ein- und Ausschalten des Elektrogeräts

Betätigen Sie den seitlich am Akku befindlichen Ein/Aus-Schalter.



3.9 Einsetzen / Entnehmen des Akkus

Der Akku lässt sich zum einfachen Aufladen außerhalb des Rollstuhls abnehmen.



So wird der Akku eingebaut:


1. Stecken Sie den Schlüssel ein ① und drehen Sie den Schlüssel in Richtung des Entriegelungssymbols.
2. Legen Sie den Akku so weit wie möglich in das Akkugehäuse ein. Es gibt nur eine Möglichkeit zum Einsetzen des Akkus.
3. Drehen Sie den Schlüssel ① auf das Verriegelungssymbol.
4. Sicherstellen, dass der Akku gut eingerastet ist.
5. Ziehen Sie den Schlüssel ab ①. (Ziehen Sie den Schlüssel niemals während der Fahrt ab).

So entnehmen Sie den Akku:

1. Stecken Sie den Schlüssel ein ①.
2. Drehen Sie den Schlüssel ① auf das Entriegelungssymbol.
3. Ziehen Sie den Akku vorsichtig aus dem Akkugehäuse.

4 Wartung

4.1 Wartungstermine

 **VORSICHT** Gefahr von Personen- oder Sachschäden

Reparaturen und Erneuerungen dürfen nur von geschultem Personal und mit Original-Ersatzteilen von Vermeiren durchgeführt werden.

i Auf der letzten Seite dieses Handbuchs befindet sich ein Registrierungsformular, auf dem der Fachhändler jeden Service dokumentieren kann.

Die Wartungshäufigkeit hängt von der Häufigkeit und Intensität der Nutzung ab. Wenden Sie sich an Ihren Händler, um einen allgemeinen Zeitplan für Inspektion/Wartung/Reparatur zu vereinbaren.

Lesen Sie in der Bedienungsanleitung für das mitgelieferte Akkuladegerät die Wartungshinweise. Bezüglich des Wartungshandbuchs besuchen Sie die Vermeiren-Website: www.vermeiren.com.

Vor jeder Benutzung

Kontrollieren Sie folgende Punkte:

- Alle Teile: vorhanden und nicht beschädigt oder verschlissen.
- Alle Teile: sauber (siehe Abschnitt 4.2.2)
- Räder, Sitz, Armlehnen, Fußstützen und Kopfstütze (sofern vorhanden): sicher fixiert.
- Akkustatus: laden Sie den Akku ggf. auf (siehe Abschnitt 3.7)
- Bedienkonsole, Akku, Antriebsmodul, Motoren, Ladegerät, Leuchten und relevante Kabel: keine Beschädigungen (z. B. durchgescheuerte, gebrochene oder freiliegende Kabel).
- Zustand der Räder/Reifen (siehe Abschnitt 4.2.1).
- Zustand der Rahmenteile: keine Deformation, Instabilität, Schwachstelle oder lose Verbindungen
- Sitz, Rückenlehne, Armpolster, Wadenpolster und Kopfstütze (sofern vorhanden): kein übermäßiger Verschleiß (wie Eindellungen, Beschädigungen oder Risse)

Wenden Sie sich wegen etwaiger Reparaturen oder Ersatzteilen an Ihren Fachhändler.

Monatlich

Falls Ihr Rollstuhl längere Zeit lang nicht benutzt wird, sollten Sie dennoch den Akku einmal pro Monat aufladen. Während dieser Phase kann das Ladegerät auch am Akku und an der Steckdose angeschlossen bleiben. Für weitergehende Informationen siehe Abschnitt 3.7.

Jährlich oder häufiger

Lassen Sie Ihren Rollstuhl mindestens einmal pro Jahr oder häufiger von Ihrem Fachhändler inspizieren und warten. Die minimale Wartungshäufigkeit ist von der Benutzung abhängig und sollte daher zusammen mit Ihrem Fachhändler abgesprochen werden.

Bei Lagerung

Achten Sie darauf, dass Ihr Rollstuhl trocken untergebracht ist, um zu verhindern, dass sich Schimmel bildet oder die Polsterung beschädigt wird.

4.2 Wartungshinweise

4.2.1 Räder und Reifen

i Die korrekte Funktionsweise der Bremsen ist vom Zustand der Reifen abhängig und kann sich infolge von Verschleiß und Verunreinigung (Wasser, Öl, Matsch usw.) verändern.

- Achten Sie darauf, dass keine Drähte, Haare, Sand oder Teppichfasern an den Rädern anhaften.

- Überprüfen Sie regelmäßig das Reifenprofil. Wenn die Profiltiefe weniger als 1 mm beträgt, muss der Reifen ausgetauscht werden. Wenden Sie sich hierzu an Ihren Fachhändler.

4.2.2 Reinigung

ACHTUNG

Beschädigungsgefahr durch Feuchtigkeit

- Halten Sie die Bedienkonsole sauber und schützen Sie sie vor Wasser und Regen.
- Benutzen Sie keinesfalls einen Wasserschlauch oder Hochdruckreiniger, um den Rollstuhl zu reinigen.

Wischen Sie alle festen Teile des Rollstuhls mit einem feuchten (nicht durchnässten) Tuch ab. Benutzen Sie ggf. eine milde Seife, die für Lacke und Kunststoffe geeignet ist.

Die Polsterung kann mit lauwarmem Wasser und einer milden Seife gereinigt werden. Verwenden Sie keine scheuernden Reinigungsmittel.

Halten Sie die Lüftungsöffnungen des Ladegeräts sauber und frei von Staubansammlungen. Entfernen Sie vorhanden Staub und reinigen Sie das Gehäuse des Ladegeräts bei Bedarf mit einem angefeuchteten Tuch.

4.2.3 Desinfektion

VORSICHT

Beschädigungsgefahr

Eine Desinfektion darf nur von dafür geschultem Personal durchgeführt werden. Wenden Sie sich hierfür an Ihren Fachhändler.

4.3 Störungsbeseitigung

Auch bei ordnungsgemäßer Benutzung Ihres Rollstuhls kann ein technisches Problem auftreten. In diesem Fall wenden Sie sich bitte an Ihren Fachhändler.



WARNUNG

Gefahr von Verletzungen und Schäden am Rollstuhl.

- Versuchen Sie KEINESFALLS, Ihren Rollstuhl selbst zu reparieren.
- Bei Fehlern an der Bedienkonsole müssen Sie sich an Ihren Fachhändler wenden. Er entscheidet, ob die Konsole neu programmiert werden muss.

Im Fall einer Störung erscheint ein Fehlercode auf der Bedienkonsole, siehe §5.

Die nachstehend genannten Symptome können auf ein ernsthaftes Problem hindeuten. Sie sollten sich daher stets an Ihren Fachhändler wenden, wenn eine der folgenden Situationen eintritt:

- Ungewöhnliche Geräusche
- Durchgescheuerte/beschädigte Verkabelung
- Gerissene oder gebrochene Steckverbinder
- Ungleichmäßige Abnutzung an einem der Reifen
- Ruckartige Bewegungen
- Rollstuhl zieht zu einer Seite
- Beschädigte oder gebrochene Radeinheiten
- Rollstuhl lässt sich nicht einschalten (Sicherung durchgebrannt)
- Rollstuhl ist eingeschaltet, bewegt sich aber weder nicht (siehe 3.4)

4.4 Voraussichtliche Nutzungsdauer

Die durchschnittliche Nutzungsdauer Ihres Rollstuhls beträgt 5 Jahre. Je nach Nutzungshäufigkeit, Betriebsbedingungen und Wartung kann die Nutzungsdauer Ihres Rollstuhls länger oder kürzer sein.

4.5 Wiederbenutzung

Lassen Sie den Rollstuhl vor der Wiederverwendung durch eine andere Person gemäß den Anweisungen im §4.1 und §4.2 desinfizieren, überprüfen und warten.

4.6 Nutzungsende

Am Ende seiner Nutzungsdauer muss Ihr Rollstuhl gemäß den geltenden Umweltvorschriften entsorgt werden. Dazu wird er im besten Fall zerlegt, um den Transport wiederverwertbarer Teile zu erleichtern.

5 Störungsbeseitigung



WARNUNG

Gefahr von Verletzungen und Schäden an der Bedienkonsole oder am Rollstuhl.

- Versuchen Sie **KEINESFALLS**, die Bedienkonsole selbst zu reparieren.
- Bei Fehlern an der Bedienkonsole müssen Sie sich an Ihren Fachhändler wenden. Er entscheidet, ob die Konsole neu programmiert werden muss.

Bei einem möglichen Problem wird ein Systemcode durch die blinkenden LEDs der Batteriestatusanzeige angezeigt, siehe § (2). Mögliche Systemcodes sind in der folgenden Tabelle zusammengefasst. Einige Probleme können Sie auch selbst beheben. Bei allen grau hinterlegten Fehlern wenden Sie sich bitte an Ihren Fachhändler.

Tabelle 2: Störungsbeseitigung

Code	Problem	Bedeutung
1	Leerer Akku / schlechte Verbindung zum Akku	Überprüfen Sie die Akkuanschlüsse. Wenn die Anschlüsse in Ordnung sind, versuchen Sie, die Akkus zu laden.
2	Schlechter Anschluss des linken Motors oder Encoders	Überprüfen Sie die Anschlüsse am linken Motor und am Encoder.
3	Fehlerhafte Verkabelung am linken Motor / Blockierzustand	
4	Schlechter Anschluss des rechten Motors oder Encoders	Überprüfen Sie die Anschlüsse des rechten Motors und des Encoders.
5	Fehlerhafte Verdrahtung am rechten Motor / Blockierzustand	
7	Joystick-Fehler	Sicherstellen, dass sich der Joystick in der Mitte befindet, bevor Sie die Steuerung einschalten.
7 + S ¹	Kommunikationsfehler	Sicherstellen, dass das Kabel des Joystick-Moduls fest angeschlossen und nicht beschädigt ist.
8	Möglicher Fehler in der Steuerung	Sicherstellen, dass alle Anschlüsse gut festsitzen.
9	Fehlerhafter Anschluss der Handbremse	Überprüfen Sie die Anschlüsse der Handbremse und des Motors. Sicherstellen, dass die Anschlüsse der Steuerung gut festsitzen.
10	Zu hohe Spannung	Eine zu hohe Spannung wird in der Regel durch einen schlechten Akkuanschluss verursacht. Die Akkuanschlüsse überprüfen.

¹S = Blinkende LEDs der Geschwindigkeitsanzeige.

6 Technische Daten

Die nachstehenden technischen Daten gelten für diesen Rollstuhl nur bei Standardeinstellungen und optimalen Umgebungsbedingungen. Berücksichtigen Sie diese Details bei der Benutzung. Die Werte gelten nicht mehr, falls Ihr Rollstuhl modifiziert wurde, beschädigt ist oder starke Verschleißerscheinungen aufweist. Beachten Sie, dass die Fahrleistung von der Umgebungstemperatur, der Feuchtigkeit, der Steigung (Bergauf-/Bergabfahrten), der Oberflächenbeschaffenheit und dem Akkustatus beeinflusst wird.

Tabelle 1: Technische Daten

Marke	Vermeiren
Typ	Elektrischer Rollstuhl, Klasse A
Modell	Verso
Max. Benutzergewicht	130 kg

Beschreibung	Abmessungen
Gesamtlänge mit Beinstütze	1078 mm (bei der kürzesten Sitztiefe)
Gesamtbreite (je nach Sitzbreite)	610 mm 630 mm 650 mm 670 mm
Gesamthöhe	937 mm - 1002 mm
Gesamtgewicht	31,3 kg
Gewicht des schwersten Teils	Hinterer Rahmen: 16,2 kg
Energieverbrauch *	12,8 Ah: 15 km 17,5 Ah: 21 km
Neigungsgrad	3°
Überwinden von Hindernissen	15 mm
Höchstgeschwindigkeit	6 km/h
Min. Bremsweg bei max. Geschw.	1 m
Sitzflächenwinkel,	5°
Effektive Sitztiefe	420 - 480 mm
Effektive Sitzbreite	440 mm 460 mm 480 mm 500 mm
Sitzflächenhöhe an der Vorderkante	521 mm
Rückenlehnenwinkel	5°
Rückenlehnenhöhe	400 – 420 – 440 – 460 – 480 mm
Abstand Fußstütze-Sitz	370 - 500 mm
Winkel Bein-Sitzfläche	105°
Abstand Armlehne-Sitz	150 - 210 mm
Vordere Position der Armlehnenstruktur	322,5 mm - 370 mm
Min. Wenderadius	1145 mm
Bodenfreiheit	61 mm
Durchmesser der Hinterräder	12 Zoll
Art der Hinterräder **	PU-Reifen
Durchmesser Vorderräder	200x50



DE

Marke	Vermeiren
Typ	Elektrischer Rollstuhl, Klasse A
Modell	Verso
Max. Benutzergewicht	130 kg

Art der Vorderräder **	PU-Reifen
Beschreibung – Elektrik	
Akku	12,8 Ah 17,5 Ah
Antriebsmotoren	2 x 250 W
Sicherung	20 A
Festigkeitsprüfung gemäß	ISO 7176-8
Prüfung des Antriebs- und Steuerungssystems gemäß	ISO 7176-14
Entzündbarkeit der Polsterung gemäß	EN1021-2:2006
EMV-Verträglichkeit	ISO 7176-21
Schutzart	IPX4
Geräuschpegel	< 65 dB (A)
Temperaturbereich für die Nutzung und Lagerung	+5°C ~ +41°C
Betriebstemperatur der Elektronik	-10°C ~ +40°C
Benutzungs- und Lagerungsfeuchte	30 % ~ 70 %

Technische Änderungen vorbehalten. Messtoleranz: ±15 mm / 1,5 kg / 1,5 °

*** Die theoretische Reichweite verringert sich, wenn mit dem Rollstuhl häufig Steigungen, unebenes Terrain oder Bordsteinkanten befahren werden.**

****Da unterschiedliche Reifen zum Einsatz kommen können, achten Sie bitte auf den korrekten Reifendruck für die jeweils verwendeten Reifen. Bezüglich anderer Reifendurchmesser wenden Sie sich bitte an Ihren Fachhändler.**

Sommario

Sommario	1
Premessa	2
1 Il prodotto	3
1.1 Opzioni.....	3
2 Prima dell'uso	4
2.1 Uso previsto.....	4
2.2 Istruzioni generali di sicurezza.....	4
2.3 Simboli presenti sulla carrozzina.....	5
2.4 Trasporto.....	5
2.5 Montaggio/smontaggio.....	6
2.6 Primo utilizzo e rimessaggio.....	9
3 Uso della carrozzina	10
3.1 Primo utilizzo.....	10
3.2 Guida all'aperto.....	10
3.3 Console di comando.....	12
3.4 Freno e leva di ruota libera.....	13
3.5 Trasferimento alla/dalla carrozzina.....	13
3.6 Regolazioni per il comfort.....	14
3.7 Stato e ricarica delle batterie.....	16
3.8 Accensione e spegnimento del dispositivo elettrico.....	17
3.9 Montaggio / rimozione della batteria.....	18
4 Manutenzione	19
4.1 Intervalli di manutenzione.....	19
4.2 Istruzioni per la manutenzione.....	19
4.3 Soluzione dei problemi di funzionamento.....	20
4.4 Durata prevista.....	20
4.5 Utilizzi successivi.....	21
4.6 Fine vita.....	21
5 Soluzione dei problemi di funzionamento	22
6 Specifiche tecniche	23

Premessa

IT

Congratulazioni! Ora possiede una carrozzina Vermeiren!

Questa carrozzina è realizzata da personale qualificato e competente. Essa è progettata e prodotta secondo gli elevati standard di qualità garantiti da Vermeiren.

Grazie per la fiducia accordata ai prodotti Vermeiren. Questo manuale viene fornito come supporto per l'uso della carrozzina e delle sue opzioni operative. Leggerlo attentamente, in quanto aiuta a familiarizzarsi con il funzionamento, le prestazioni e le limitazioni della carrozzina.

Per eventuali ulteriori domande successive alla lettura di questo manuale, rivolgersi al proprio rivenditore specializzato, che sarà lieto di fornire un supporto.

Nota importante

Per garantire la propria sicurezza e prolungare la durata del prodotto, trattarlo con cura e farlo controllare e/o sottoporlo a manutenzione con regolarità.

Questo manuale rispecchia gli sviluppi più recenti del prodotto. Vermeiren si riserva il diritto di introdurre modifiche di questo tipo di prodotto senza alcun obbligo di adattare o sostituire i prodotti analoghi consegnati in precedenza.

Le immagini vengono utilizzate per chiarire le istruzioni contenute nel manuale. I dettagli del prodotto raffigurato possono essere diversi da quelli del prodotto in uso.

Informazioni disponibili

Sul sito Web di Vermeiren, all'indirizzo <http://www.vermeiren.com/> è sempre disponibile la versione più recente delle informazioni indicate di seguito. Visitare con regolarità tale sito per verificare l'esistenza di eventuali aggiornamenti.

Le persone ipovedenti possono scaricare la versione elettronica di questo manuale e farlo leggere da un software applicativo di sintesi vocale.



Questo manuale utente
Per l'utente e il rivenditore specializzato



Istruzioni di installazione (per regolazioni di dettaglio e (s)montaggio)
Per il rivenditore specializzato



Manuale di assistenza per le carrozzine
Per il rivenditore specializzato



Dichiarazione di conformità CE

1 Il prodotto



- | | |
|-----------------------|--|
| 1. Schienale | 7. Ruote anteriori |
| 2. Console di comando | 8. Ruote posteriori/motrici con motori |
| 3. Bracciolo | 9. Batteria |
| 4. Sedile | 10. Crociera |
| 5. Poggiatesta | 11. Targhetta di identificazione |
| 6. Poggiatesta | |

1.1 Opzioni

Per le opzioni, rivolgersi al proprio concessionario autorizzato. Sarà lieto di fornirle assistenza.

2 Prima dell'uso

IT 2.1 Uso previsto

Questo paragrafo fornisce una breve descrizione dell'uso previsto della carrozzina. Gli altri paragrafi aggiungono inoltre alle istruzioni ulteriori avvertenze di rilievo. Vermeiren desidera in tal modo portare all'attenzione dell'utente gli eventuali usi errati che possono presentarsi.

- Questa carrozzina è adatta per l'uso al coperto e all'aperto.
- Essa è progettata e realizzata esclusivamente per il trasporto/trasferimento di una (1) persona di peso non superiore a 130 kg. Essa non è viceversa progettata per il trasporto di merci od oggetti, né per qualunque uso diverso da quello descritto in precedenza.
- Questa carrozzina può essere azionata dall'utente seduto sulla stessa, oppure spinta da un assistente. **NON** utilizzare la carrozzina senza assistenza se si soffre di disabilità fisiche o mentali in grado di mettere in pericolo sé o altri durante l'uso. Consultare pertanto anzitutto il proprio medico e avere cura di trasmettere il suo parere al proprio rivenditore specializzato.
- Utilizzare esclusivamente accessori e ricambi approvati da Vermeiren.
- Leggere tutte le informazioni tecniche di dettaglio e le limitazioni della carrozzina, riportate nel capitolo 6.
- La garanzia del prodotto presuppone un uso e una manutenzione normali del medesimo, come descritti in questo manuale. I danni al prodotto dovuti a uso improprio o manutenzione carente causano la decadenza della garanzia.

2.2 Istruzioni generali di sicurezza

 **ATTENZIONE** Rischio di lesioni e/o danni

Leggere e osservare le istruzioni contenute in questo manuale. In caso contrario, è possibile ferirsi o danneggiare la carrozzina.

Durante l'uso, tenere presenti le seguenti avvertenze generali:

- Non utilizzare la carrozzina se si è sotto l'effetto di alcool, farmaci o altre sostanze in grado di influire sulle proprie capacità di guida.
- Non dimenticare che alcune parti della carrozzina possono diventare molto calde o fredde a causa della temperatura ambiente, della radiazione solare, di dispositivi di riscaldamento o dell'azionamento del motore elettrico durante la marcia. Prestare attenzione quando si tocca la carrozzina. In condizioni climatiche fredde, indossare indumenti protettivi. Dopo l'uso, attendere che la carrozzina / il motore elettrico si sia raffreddato.
- Prima di accendere la carrozzina, prestare attenzione all'ambiente / alla situazione in cui ci si trova. Regolare di conseguenza la velocità prima di mettersi in movimento. Per l'uso al coperto, si consiglia di adottare l'impostazione di velocità minima. Per l'uso all'aperto, è possibile regolare la velocità su un valore appropriato, che dia una sensazione di comfort e sicurezza.
- Tenere **SEMPRE** presente la possibilità che la carrozzina si arresti improvvisamente per l'esaurimento di una batteria o l'intervento di una protezione che evita ulteriori danni alla carrozzina stessa. Verificare inoltre le possibili cause indicate al § 4.3. Allacciare la cintura di sicurezza, per evitare di subire lesioni.
- La carrozzina è stata sottoposta a prove di compatibilità elettromagnetica ed è conforme alla relativa norma; vedere il capitolo 6. Le fonti di campi elettromagnetici, come quelli di telefoni cellulari, generatori di corrente o fonti energetiche di grande potenza, possono tuttavia influire sulle prestazioni di guida della carrozzina. L'elettronica della carrozzina può d'altro canto influire su altri apparati elettronici, come i sistemi di allarme dei negozi e le porte automatiche. Si consiglia pertanto di sottoporre la carrozzina a verifiche regolari degli eventuali danni e

dell'usura, poiché i medesimi possono rendere più intense le interferenze (vedere anche il capitolo 4).

- Guidare la carrozzina soltanto su superfici piane, dove entrambe le ruote motrici siano a contatto con il suolo e l'aderenza sia sufficiente per azionare la carrozzina in condizioni di sicurezza.
- Consultare il produttore della carrozzina prima di modificare o sostituire i punti di assicurazione della stessa, oppure componenti o parti della sua struttura o del suo telaio.
- Accertarsi che durante l'uso mani, indumenti, cinture, fibbie o gioielli non si impiglino nelle ruote o in altri componenti in movimento.

Prestare attenzione alla possibilità che la carrozzina interferisca con alcuni tipi di sistemi antifurto, a seconda delle impostazioni utilizzate. Ciò può fare scattare l'allarme dei negozi.

Qualsiasi incidente grave [MDR (EU) 2017/745 §2 (65)] verificatosi in relazione all'ausilio deve essere segnalato al fabbricante e all'autorità competente dello Stato membro in cui si trova l'utilizzatore e/o il paziente.

2.3 Simboli presenti sulla carrozzina

Sulla carrozzina sono applicati i simboli elencati di seguito. I simboli sono riportati nella norma ISO pertinente (ISO 7000, ISO 7001 e IEC 417).



Peso massimo dell'utente, in kg



Uso soltanto al coperto (caricabatterie)



Pendenza massima di sicurezza, in ° (gradi).



Velocità massima



Indicazione del modello



Rischio di intrappolamento

2.4 Trasporto

ATTENZIONE

Rischio di danni

Avere cura di proteggere la carrozzina dai danni durante il trasporto.

2.4.1 Spostamento

Utilizzare la console di comando per condurre a destinazione la carrozzina.

In alternativa, portare la carrozzina nella modalità a ruota libera (vedere il §3.4) e sposterla utilizzando la barra di spinta.

2.4.2 Trasporto in aereo

Quando si trasporta la carrozzina in aereo, bloccare e scollegare la batteria prima di consegnarlo al personale dell'aeroporto (vedere §3.9 e §3.8). La batteria può rimanere nella carrozzina. Consultare la propria compagnia aerea per la corretta procedura di movimentazione.



2.4.3 Trasporto su veicoli, come bagaglio

Il modo migliore per caricare una carrozzina elettrica su un veicolo consiste nel farvela salire mediante opportune rampe. Se non si ha esperienza nell'uso delle rampe con le carrozzine elettriche, è possibile mettere in folle la carrozzina e spingerla a bordo del veicolo utilizzando le rampe manualmente. Se necessario, smontare la carrozzina.

1. Come utente della carrozzina, trasferirsi su un sedile dell'auto; vedere il §3.5.
2. Prima del trasporto, rimuovere tutti i componenti mobili (poggiatesta, braccioli e così via).
3. Riporre tali componenti in condizioni di sicurezza dietro il sedile del passeggero o nel bagagliaio.
4. Condurre o spingere la carrozzina elettrica a bordo del veicolo utilizzando opportune rampe, oppure sollevarla con l'ausilio di 2 persone afferrando i componenti fissi dei telai.
5. Fissare saldamente al veicolo i componenti più solidi del telaio.
6. Portare la carrozzina nella modalità di guida (applicando i freni di parcheggio) e verificare che la console di comando sia spenta.

2.5 Montaggio/smontaggio

 **ATTENZIONE** Rischio di lesioni

- Avere cura di evitare che dita, indumenti e fibbie rimangano intrappolati durante il montaggio (o lo smontaggio).

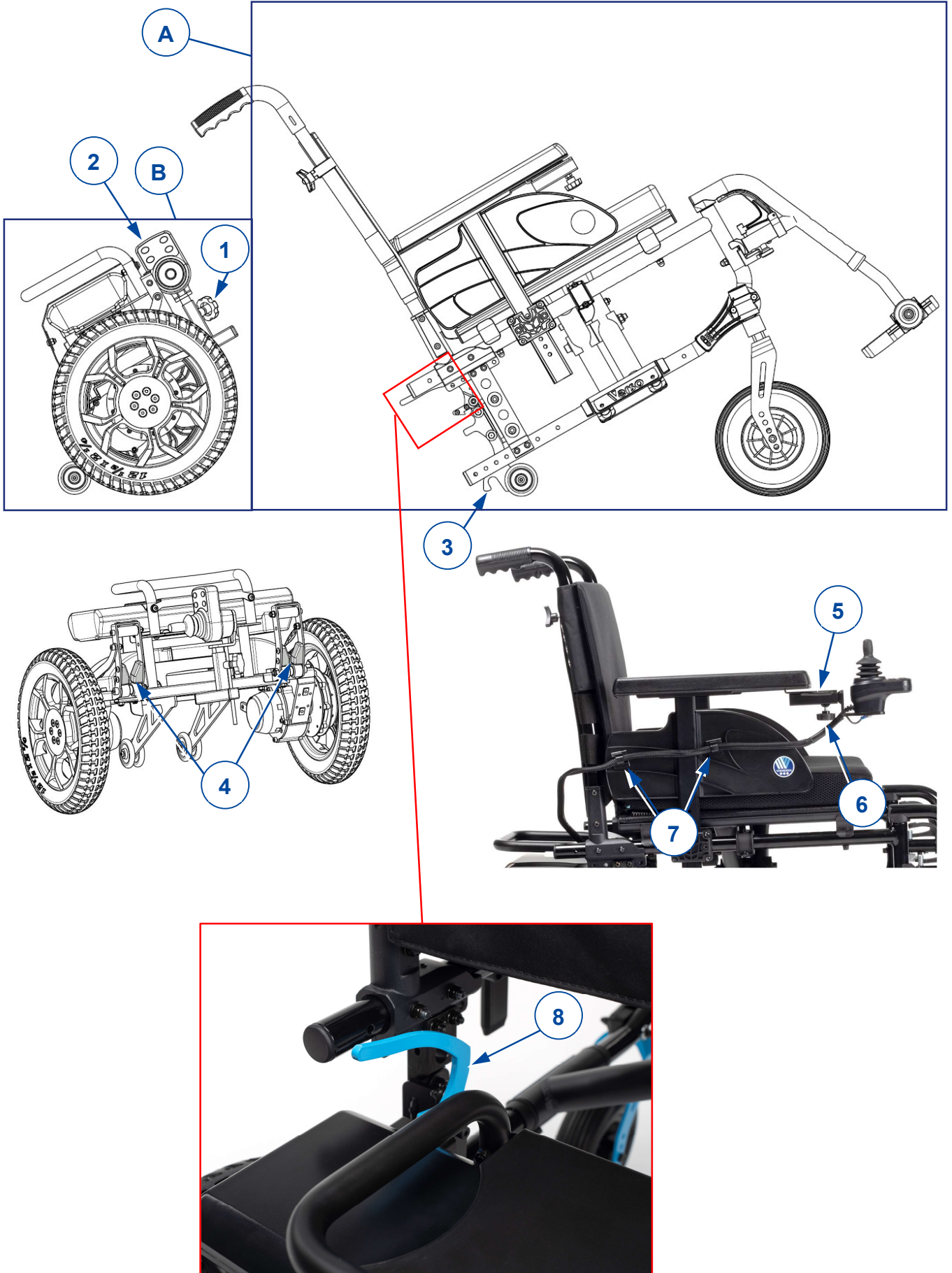
I rivenditori specializzati consegnano le carrozzine completamente montate e illustrano i vari elementi di azionamento e il loro uso. Questo documento fornisce inoltre ulteriori spiegazioni dettagliate dei vari componenti per scopi di trasporto

Per assemblare la carrozzina a motore:

1. Aprire il telaio del sedile (A).
2. Posizionare il telaio del sedile sulle ruote anteriori e sulle ruote di supporto posteriori.
3. Posizionare l'unità della trasmissione (B) dietro il telaio del sedile.
4. Svitare la manopola a stella (1) e rimuovere la console di comando (2) dall'unità di trasmissione. Posizionare la console in un luogo temporaneamente sicuro, ad esempio sopra lo schienale.
5. Posizionare i ganci del telaio del sedile (3) sulle aste (4) dell'unità di trasmissione.
6. Spingere il telaio del sedile verso il basso finché non si sente un clic e il telaio è saldamente fissato all'unità di trasmissione, sia a destra che a sinistra. Controllare che i ganci (8) siano bloccati in posizione di abbassamento.
Se il telaio del sedile non scatta automaticamente, posizionare il telaio sull'unità della trasmissione e spingere manualmente i ganci (8) verso il basso.
7. Montare i braccioli (§3.6.2).
8. Montare i poggiatesta (§0).
9. Far scorrere la console operativa nel supporto del bracciolo (5). Serrare la manopola a stella (6) e fissare il cavo con i morsetti (7).

Per smontare la carrozzina a motore:

1. Sganciare il cavo dai morsetti sul bracciolo. Allentare la manopola a stella (6) sul supporto della console operativa e far scorrere la console verso l'esterno. Posizionare la console in un luogo temporaneamente sicuro.
2. Tirare verso l'alto i ganci (8) su entrambi i lati del telaio inferiore. L'unità di trasmissione è ora sganciata dal telaio e si inclinerà all'indietro sulle ruote di supporto.
3. Sollevare il telaio del sedile e allontanarlo dall'unità di trasmissione.
4. Rimuovere i supporti del bracciolo.
5. Rimuovere i poggiatesta.
6. Piegare il telaio del sedile.
7. Posizionare la console di comando (2) nell'apposito supporto sull'unità di trasmissione e serrare la manopola a stella (1).



2.6 Primo utilizzo e rimessaggio

 **ATTENZIONE** Rischio di danni alla batteria

- Non lasciare mai scaricare completamente le batterie.
- Non interrompere il ciclo di ricarica; scollegare il caricabatterie soltanto quando le batterie sono completamente cariche.
- Avere cura di rimessare la carrozzina in un luogo asciutto, per evitare la formazione di muffa e danni alla selleria.
- Verificare le informazioni tecniche di dettaglio per il rimessaggio; vedere il capitolo 6.

Prima di utilizzare la carrozzina, accertarsi che le batterie siano state caricate completamente, verificando con il rivenditore se tale operazione è già stata effettuata o meno. Per la ricarica, attenersi alle relative istruzioni, riportate nel §3.7.

3 Uso della carrozzina

**AVVERTENZA**

Rischio di lesioni

- Leggere anzitutto il capitolo precedente per familiarizzarsi con l'uso previsto. NON utilizzare la carrozzina senza avere letto e compreso a fondo tutte le istruzioni.
- Leggere inoltre le istruzioni riportate nel manuale della console di comando e in quello del caricabatterie!
- In caso di dubbi o domande, non esitare a rivolgersi al proprio rivenditore specializzato di zona, al proprio fornitore di cure sanitarie o a un consulente tecnico per un aiuto al riguardo.

3.1 Primo utilizzo

**ATTENZIONE**

Rischio di lesioni e danni

- Tenere sempre conto del raggio di rotazione del poggiapiedi e della console di comando, per evitare di causare lesioni alle persone o danni materiali.
- Prima di mettersi in movimento, scollegare sempre il caricabatterie dalla carrozzina.

- i** • Prima di utilizzare la carrozzina in luoghi affollati e potenzialmente pericolosi, accertarsi di avere una familiarità sufficiente con il suo funzionamento. Esercitarsi inizialmente in un'area ampia, aperta e con pochi passanti.
- Analizzare l'effetto degli spostamenti del baricentro sul comportamento della carrozzina, ad esempio quando si percorrono in salita, in discesa o trasversalmente superfici inclinate, oppure quando si superano eventuali ostacoli. Avvalersi del supporto di un assistente.
- Durante l'uso, la superficie della centralina di controllo diventa tiepida.
- Quando si procede in retromarcia, la velocità viene ridotta.

1. Verificare che:

- la carrozzina si trovi su una superficie piana;
- la batteria sia completamente carica; vedere §. 3.7;
- il motore elettrico sia innestato, vedere il § 3.4;
- la carrozzina sia regolata in funzione delle proprie esigenze e del proprio comfort, vedere il §3.6;
- la propria posizione di seduta sia corretta, vedere il § 3.5.

2. Attenersi alle istruzioni contenute nel manuale della console di comando.

3. Accendere la carrozzina.

4. Ruotare il comando della velocità portandolo sull'impostazione minima.

5. Familiarizzarsi con la guida e l'esecuzione delle regolazioni della carrozzina.

6. Se ci si sente sufficientemente sicuri, provare a guidare a una velocità maggiore.

7. Provare ora a svoltare procedendo in avanti e in retromarcia. Ripetere alcune volte questa sequenza.

8. Al termine delle manovre, accertarsi che la carrozzina si trovi in posizione stabile.

9. Spegnerla la carrozzina.

3.2 Guida all'aperto

**AVVERTENZA**

Rischio di incidente: regolare il comportamento di guida e la velocità.

- Tenere conto del codice della strada in vigore localmente, che può differire da un Paese all'altro. Esso disciplina la guida sui marciapiedi e sulle strade asfaltate e non.
- Non condurre la carrozzina su strade con un traffico intenso.
- Tenere conto delle condizioni atmosferiche. Evitare la guida in condizioni di tempo umido, caldo estremo, neve, ghiaccio vetrato e temperature inferiori a zero gradi centigradi; vedere le specifiche tecniche nel capitolo 6.

- Accertarsi di essere ben visibili anche nelle ore diurne, indossando indumenti fluorescenti e/o utilizzando luci proprie sul lato anteriore e posteriore della carrozzina.
- Prestare attenzione agli altri utenti della strada, per i quali la carrozzina può essere un ostacolo. Prestare particolare attenzione durante le svolte e la guida in retromarcia. Se non si ha familiarità con la guida in retromarcia, esercitarsi inizialmente in uno spazio aperto. Prima di svoltare, segnalare con gli appositi indicatori la direzione che si intende prendere.
- Nei passaggi stretti, tentare di procedere in linea retta per evitare di rimanere intrappolati.
- Tenere conto della distanza di frenata. Tenere conto del fatto che lo spazio di frenata dipende dalla velocità, dal fondo stradale, dalle condizioni climatiche, dalla pendenza e dal peso dell'utente.

3.2.1 Come affrontare pendii, cordoli, ostacoli o rampe

 **ATTENZIONE** Rischio di lesioni dovute a movimenti imprevisti

- Quando si è seduti sulla carrozzina, proteggersi allacciando una cintura di sicurezza.
 - Prestare attenzione in presenza di strade con fondo sabbioso o cedevole, oppure con buche o fessure, in cui le ruote possono rimanere imprigionate e/o che possono ridurre la trazione delle ruote motrici.
 - NON guidare su superfici inclinate, ostacoli, gradini o cordoli di dimensioni superiori a quelle indicate nelle caratteristiche tecniche riportate nel capitolo 6.
 - Avvicinarsi sempre ai cordoli dal lato anteriore.
 - Non portare la carrozzina nella modalità a ruota libera mentre si trova su una superficie inclinata. In tal caso è possibile che la carrozzina inizi a muoversi, causando lesioni a sé e ad altri.
 - Non utilizzare la carrozzina su scale mobili o fisse.
 - Utilizzare soltanto rampe approvate da Vermeiren, e non superare il loro carico massimo.
 - Per superare in sicurezza ostacoli o pendenze, mettere la carrozzina nella posizione di seduta più eretta.
- i** Quando ci si ferma su una superficie inclinata, il freno si aziona automaticamente per evitare che la carrozzina si muova in avanti o all'indietro.

ATTENZIONE Rischio di danni

- Parcheggiare sempre la carrozzina elettrica su superfici piane e orizzontali e in punti facilmente accessibili.
- Se necessario, per superare un pendio, un ostacolo, un cordolo o una rampa accelerare la carrozzina prendendo una piccola rincorsa. Evitare tuttavia di sottoporre sé stessi o la carrozzina a un grande rinculo.
- Accertarsi che la carrozzina, una volta inclinata, non tocchi il suolo o la rampa.
- Non dimenticare che lo spazio di frenata in discesa può essere notevolmente superiore a quello in piano.

Procedura

- Iniziare a guidare come indicato al punto 1 del § 3.1.
- Per fare superare alla carrozzina eventuali scale/scalini, utilizzare una rampa o un dispositivo di sollevamento. Se tali attrezzature non sono disponibili, è possibile sollevare manualmente la carrozzina; a tale scopo occorrono almeno due persone, che devono afferrare saldamente il telaio con entrambe le mani. Non afferrare la carrozzina dallo schienale, dal (o dai) poggiatesta, dai braccioli o dalle ruote.
- Per affrontare ostacoli o superfici inclinate:
 1. Regolare la carrozzina portandola nella sua posizione più stabile, vedere il § 3.5.
 2. Guidare alla velocità più bassa possibile per affrontare l'ostacolo o la pendenza.

3.3 Console di comando

i Prima di premere il pulsante di accensione/spegnimento, portare il joystick nella posizione di folle (centrale), poiché in caso contrario l'elettronica viene bloccata. Per rilasciare tale blocco occorre spegnere e riaccendere la console di comando.

1. Pulsante ON/OFF
2. Indicatore dello stato di carica della batteria
3. Indicatore di velocità
4. Pulsante del clacson
5. Pulsante per la riduzione della velocità
6. Pulsante per l'aumento della velocità
7. Joystick



3.3.1 Protezioni tecniche

Per garantire la sicurezza dell'utente ed evitare di danneggiare la carrozzina, i movimenti sono monitorati dall'elettronica. Ciò può dare luogo a riduzioni della velocità o ad arresti completi.

- Per evitare l'esaurimento accidentale delle batterie, la carrozzina è dotata di un sistema di spegnimento automatico. Questo sistema disattiva automaticamente la console di comando quando non la si utilizza per un certo tempo. Se ciò si verifica, è sufficiente riaccendere la console.
- Accertarsi che la leva di ruota libera si trovi nella posizione frenata PRIMA di accendere la carrozzina. I freni elettromagnetici NON funzionano se la carrozzina si trova nella modalità a ruota libera. Tale condizione è indicata sulla console di comando. La guida non è possibile.

3.3.2 Guida

1. Premere il pulsante ON/OFF (1) per accendere la carrozzina.
2. Se le spie dell'indicatore di carica della batteria (2) e dell'indicatore di velocità (3) si accendono, la carrozzina è alimentata e pronta a partire.
3. Verificare l'indicatore dello stato delle batterie. Caricare la batteria, se necessario (vedere il §3.7).
4. Regolare la velocità di guida: diminuire la velocità con il pulsante per la riduzione della velocità (5) o aumentare la velocità con il pulsante per l'aumento della velocità (6).
5. Mettere in movimento la carrozzina spostando lentamente in avanti / all'indietro il joystick (7).
6. La velocità aumenta quando si allontana maggiormente il joystick dalla posizione centrale.
7. Per curvare verso destra o verso sinistra, spingere il joystick verso destra o verso sinistra.
8. Per frenare, portare il joystick nella posizione di folle.
9. Premere il pulsante del clacson (4) per avvisare gli altri utenti della strada, se necessario.
10. Una volta giunti a destinazione, verificare lo stato delle batterie e premere il pulsante ON/OFF per spegnere la carrozzina.
11. Caricare la batteria secondo necessità.

3.4 Freno e leva di ruota libera

 **ATTENZIONE** Rischio di lesioni o danni

- Azionare la leva di ruota libera soltanto quando la carrozzina è spenta. La leva di ruota libera deve essere azionata da un assistente. **NON** azionare **MAI** la leva dalla posizione seduta.
- Non utilizzare la modalità a ruota libera su pendii e superfici inclinate.

i Accertarsi che la leva di ruota libera si trovi nella posizione frenata **PRIMA** di accendere la carrozzina. I freni elettromagnetici **NON** funzionano se la carrozzina si trova nella modalità a ruota libera. Tale condizione è indicata sulla console di comando. La guida non è possibile.

La carrozzina è dotata di freni elettromagnetici. Il funzionamento dei freni dipende dalla posizione della leva di ruota libera (1).

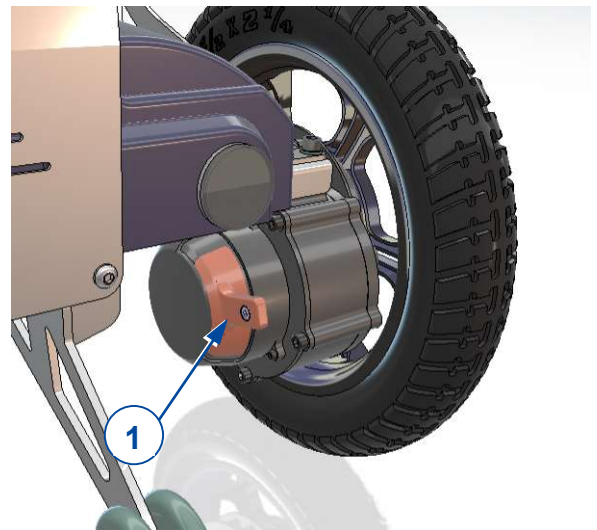
I freni EM funzionano in modo automatico **solo se** la leva di ruota libera (1) si trova nella posizione di frenata. In tal caso i freni iniziano a frenare se:

- la carrozzina è spenta;
- la carrozzina è accesa e il joystick viene rilasciato.

Il rilascio del joystick causa l'arresto progressivo della carrozzina e l'attivazione dei freni.

Azionamento della leva di ruota libera:

- Ruotare le leve verso l'ALTO per mettere la carrozzina in modalità a ruota libera. A questo punto il motore elettrico è scollegato. È possibile spostare manualmente la carrozzina.
- Ruotare le leve verso il BASSO per collegare il motore elettrico alla trasmissione. Questa operazione deve essere effettuata prima di avviare la carrozzina.



3.5 Trasferimento alla/dalla carrozzina

 **ATTENZIONE** Rischio di lesioni o danni

- Se non si è in grado di effettuare il trasferimento in condizioni di sicurezza, richiedere l'assistenza di un'altra persona.
- Non rimanere in piedi sui poggiatesta durante il trasferimento alla o dalla carrozzina.

Trasferimento

1. Quando si è seduti su una poltrona, un divano, un sedile o un letto, avvicinare il più possibile a sé la carrozzina.
2. Inserire i freni ruotando la leva di ruota libera fino alla posizione frenata; vedere il § 3.4.
3. Ripiegare i poggiatesta verso l'alto, per evitare di salirvi.
4. Se necessario, rimuovere un bracciolo per liberare spazio; vedere il § 3.6.2.
5. Trasferirsi sulla/dalla carrozzina utilizzando la forza delle proprie braccia o con l'ausilio di uno (o più) assistenti o di un dispositivo di sollevamento.

Posizione di seduta sulla carrozzina

1. Sedersi sul sedile con la parte inferiore della schiena contro lo schienale.
2. Ruotare il (o i) poggiatesta verso il basso e appoggiarvi i piedi.
3. All'occorrenza, rimontare il bracciolo.

4. Accertarsi che la parte superiore delle gambe sia orizzontale e che i piedi si trovino in una posizione confortevole. Effettuare le regolazioni eventualmente necessarie.
5. Verificare che le braccia siano flesse e appoggiate in modo confortevole sulle imbottiture dei braccioli. Effettuare le regolazioni eventualmente necessarie.

Regolazione sulla posizione più stabile

Per il trasporto, e quando occorre affrontare eventuali ostacoli, occorre regolare la carrozzina in modo da aumentarne al massimo la stabilità:

- Schienale verticale
- Poggiapiedi ripiegato verso l'alto

3.6 Regolazioni per il comfort

 **ATTENZIONE** Rischio di lesioni o danni

- Le regolazioni per il comfort indicate di seguito possono essere eseguite da assistenti o badanti. Tutte le altre regolazioni vengono eseguite dal rivenditore specializzato in base alle istruzioni di installazione; vedere la premessa.
- Prestare attenzione per evitare che dita, indumenti, e fibbie rimangano intrappolati durante le regolazioni.

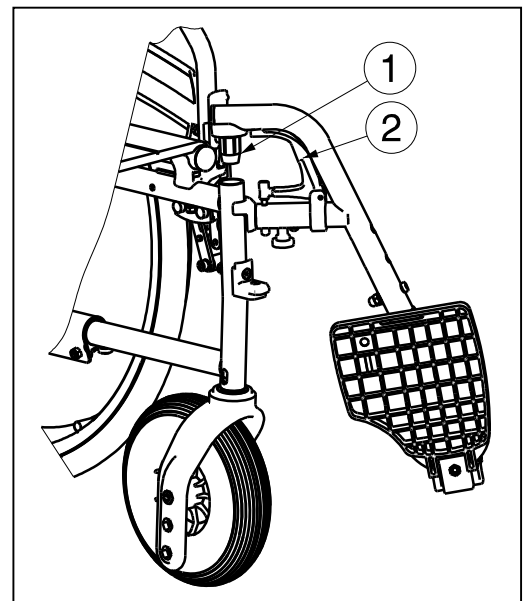
3.6.1 Montaggio o rimozione dei poggiapiedi

Il montaggio dei poggiapiedi deve essere fatto come segue:

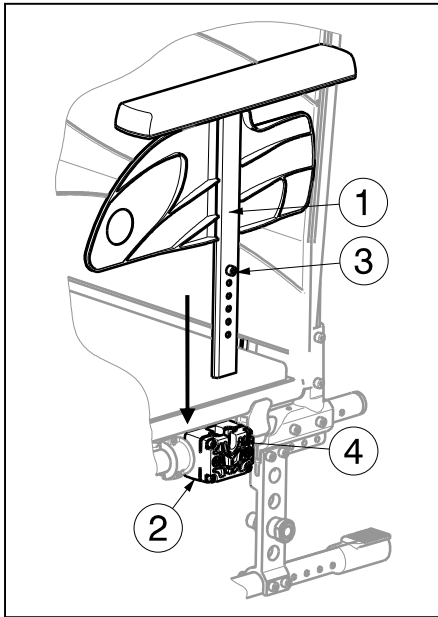
1. Tenere il poggiapiedi lateralmente all'esterno del telaio della carrozzina e montare il cappuccio del tubo ① nel telaio.
2. Ruotare il poggiapiedi verso l'interno, fino a quando si arresta con un clic nella posizione corretta.
3. Ruotare verso il basso il poggiapiedi.

Per rimuovere il poggiapiedi:

1. Tirare la leva ②.
2. Far oscillare il poggiapiedi verso l'esterno della carrozzina finché non si stacca dalla guida.
3. Estrarre il poggiapiedi dal cappuccio del tubo ①.

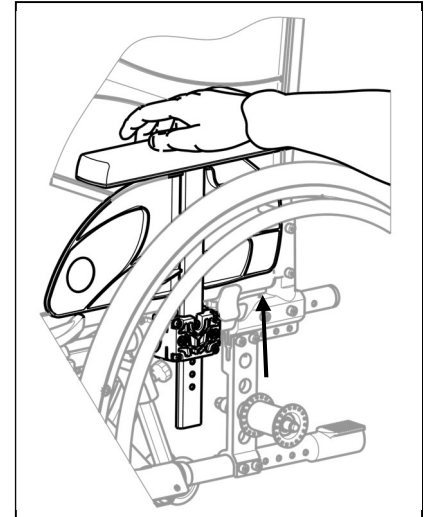


3.6.2 Montaggio o rimozione dei braccioli



I braccioli della carrozzina possono essere montati seguendo le istruzioni.

1. Montare il bracciolo ① nell'apposito supporto ② finché la vite ③ non si inserisce nel manicotto ④.
2. Accertarsi che il bracciolo ① sia fissato saldamente.



Per rimuovere il bracciolo:

1. Afferrare il cuscinetto del braccio ed estrarre delicatamente il bracciolo dal suo supporto.

3.6.3 Altezza dello schienale

L'altezza dello schienale può essere regolata in 5 posizioni.

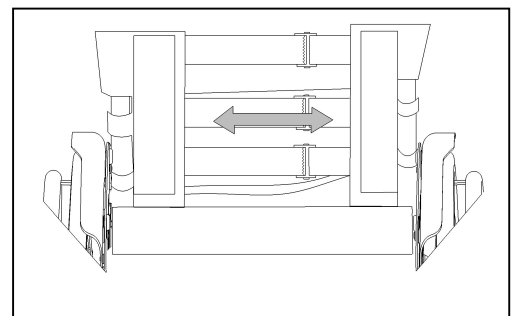
1. Rimuovere la manopola a stella (1).
2. Far scorrere il rivestimento dello schienale verso l'alto o verso il basso fino all'altezza desiderata. Assicurarsi che il foro per la manopola a stella nel tubo del telaio sia allineato con uno dei fori del rivestimento.
3. Riposizionare la manopola a stella e serrare nuovamente.



3.6.4 Supporto dello schienale

Lo schienale della carrozzina è dotato di un sistema di sospensione con fasce in Velcro regolabili, che consentono di modificare la flessibilità dello schienale stesso.

1. Tirare il cuscino dello schienale separandolo dalle fasce in velcro dello schienale stesso.
2. Allentare le fasce in velcro.
3. Tirare la rispettiva fascia fino alla posizione desiderata. È possibile variare la tensione delle singole cinghie e impostare il supporto per la schiena desiderato.
4. Collocare nuovamente sullo schienale il cuscino per la schiena, partendo dal lato anteriore e raggiungendo quello posteriore.
5. Bloccare i collegamenti in velcro premendo con la mano il cuscino contro lo schienale.
6. Accertarsi che tutte le fasce siano fissate con il velcro.




3.6.5 Altezza maniglie di spinta

Le maniglie di spinta possono essere regolate su una distanza di 60 mm:

1. Allentare la manopola a stella (1).
2. Spostare l'impugnatura verso l'alto / il basso, fino all'altezza desiderata.
3. Serrare nuovamente la manopola a stella (1).
4. Ripetere l'operazione per l'altra maniglia. Accertarsi che entrambe le maniglie siano fissate saldamente.

3.7 Stato e ricarica delle batterie

 **AVVERTENZA** Rischio di lesioni e di danni da incendio

- Utilizzare esclusivamente il caricabatterie fornito con la carrozzina. L'uso di qualunque altro caricabatterie può essere pericoloso (pericolo di incendio).
- Il caricabatterie è studiato unicamente per caricare le batterie fornite con la carrozzina, e nessun'altra.
- Non effettuare alcun adattamento dei componenti forniti, come cavi, spinotti o caricabatterie. Non aprire mai la batteria e non modificarne i punti di collegamento.
- Proteggere batteria e caricabatterie da fiamme, temperature basse ed elevate (vedere il capitolo 6), umidità, luce solare diretta e urti violenti (ad esempio cadute). NON utilizzare la batteria se è stata esposta a tali condizioni.
- Caricare le batterie con il caricabatterie; eseguire l'operazione al coperto, in un'area ben ventilata e fuori dalla portata dei bambini.

ATTENZIONE Rischio di danni

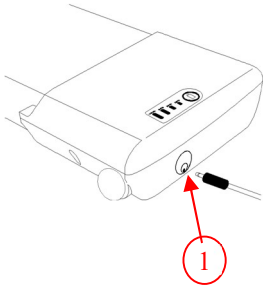
- La batteria viene scaricata lentamente dalla sua stessa autoscarica e dalla corrente di riposo delle utenze collegate. Se la si scarica completamente, la batteria può danneggiarsi irreparabilmente. Accertarsi pertanto che la batteria venga ricaricata per tempo (vedere 3.7).
- Leggere le istruzioni per il rimessaggio e la manutenzione riportate nel capitolo 4 e le informazioni tecniche di dettaglio contenute nel capitolo 6.
- Non caricare le batterie a temperature inferiori a 0 °C. Avviare la ricarica soltanto dopo averle trasferite in un ambiente più caldo.
- Mantenere il punto di collegamento del caricabatterie libero da polvere e altri contaminanti.
- In caso di problemi che impediscano di caricare la batteria secondo le istruzioni riportate di seguito, rivolgersi al proprio rivenditore specializzato.

- i** Per tutte le informazioni relative all'indicazione dello stato della batteria, leggere §3.7.
- i** Quando non lo si utilizza, si consiglia di scollegare il caricabatterie dalla rete elettrica. Tale accorgimento evita consumi energetici superflui.

Controllare sempre che la batteria non sia danneggiata prima di caricarla. Premere il pulsante dell'indicatore di carica per 2 secondi per accendere la batteria. Se non si accende alcun LED dell'indicatore di carica, la batteria potrebbe essere danneggiata. Quando almeno uno, ma non tutti i LED dell'indicatore di carica sono accesi, caricare completamente il pacco batteria prima di utilizzarlo per la prima volta.

Non caricare o utilizzare una batteria danneggiata; rivolgersi al rivenditore specializzato.

Per garantire la piena capacità della batteria, caricarla completamente con il caricatore prima di utilizzarla per la prima volta. La batteria può essere ricaricata in qualsiasi momento sulla carrozzina o quando viene rimossa dalla carrozzina.



Istruzioni per ricaricare la batteria:

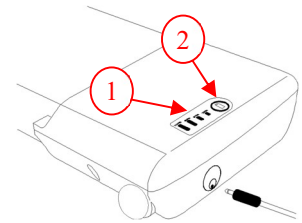
1. Spegnerne la batteria.
2. Se lo si desidera, rimuovere la batteria dall'alloggiamento ed evitare che sporco o liquidi penetrino nella presa di ricarica.
3. Collegare la spina del caricabatterie al pacco batteria ①.
4. Collegare la spina del caricabatterie alla presa di corrente.
5. L'indicatore LED del caricabatterie mostra lo stato del processo di carica:
 - Rosso - In carica
 - Verde - Standby / Completamente carica
6. Una volta che la batteria è completamente carica, rimuovere il caricabatterie dalla presa di corrente e la batteria.

3.7.1 Indicatore dello stato di carica della batteria

Sono presenti due indicatori di carica della batteria:

Sul pacco batteria:

1. Premere il pulsante ② sul pacco batteria.
2. I LED dell'indicatore di carica della batteria ① indicano il livello di carica della batteria.



Console di comando:

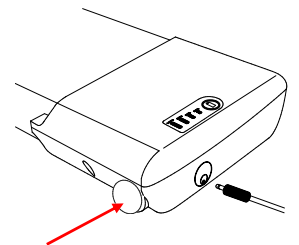
Quando il sistema elettrico è acceso, l'indicatore della batteria (2, §3.3) indica il livello di carica della batteria.

- Tutti i LED accesi: batteria completamente carica.
- Solo il LED rosso è acceso o lampeggia: ricaricare immediatamente la batteria.

A causa del cablaggio, entrambe le indicazioni possono variare leggermente. In questo caso, considerare l'indicazione del livello di carica peggiore.

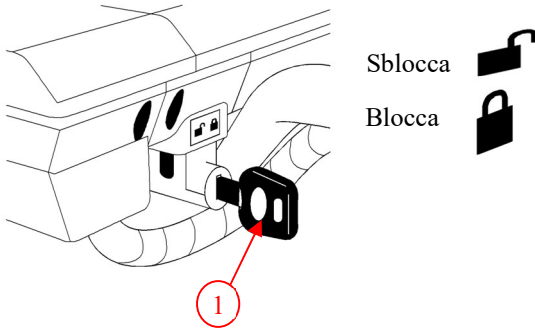
3.8 Accensione e spegnimento del dispositivo elettrico

Premere l'interruttore di accensione/spegnimento sul lato della batteria.



3.9 Montaggio / rimozione della batteria

La batteria può essere rimossa per facilitarne la ricarica lontano dalla carrozzina.

IT

Per montare la batteria:

1. Immettere la chiave ① e ruotarla verso il simbolo di sblocco.
2. Posizionare la batteria nell'alloggiamento, più in fondo possibile. C'è solo un modo possibile per inserire la batteria.
3. Ruotare la chiave ① verso il simbolo di blocco.
4. Accertarsi che la batteria sia ben fissata.
5. Estrarre la chiave ①. (Non togliere mai la chiave mentre si è sopra la carrozzina).

Per rimuovere la batteria:

1. Inserire la chiave ①.
2. Ruotare la chiave ① verso il simbolo di sblocco.
3. Estrarre delicatamente la batteria dall'alloggiamento.

4 Manutenzione

4.1 Intervalli di manutenzione

 **ATTENZIONE** Rischio di lesioni e danni

Riparazioni e sostituzioni devono essere eseguite esclusivamente da personale con un'opportuna formazione e utilizzando unicamente ricambi originali Vermeiren.

i L'ultima pagina di questo manuale contiene un modulo di registrazione che consente ai rivenditori specializzati di registrare ogni intervento di assistenza.

La frequenza dell'assistenza dipende dalla frequenza e dall'intensità dell'uso. Concordare con il proprio rivenditore un calendario comune per le attività di ispezione / manutenzione / riparazione. Per quanto concerne la manutenzione, leggere le istruzioni per l'uso del caricabatterie utilizzato. Per il manuale di manutenzione, fare riferimento al sito Web di Vermeiren all'indirizzo www.vermeiren.com.

Prima di ciascun utilizzo

Verificare i seguenti punti:

- Tutti i componenti: presenza, integrità e assenza di usura.
- Tutti i componenti: pulizia, vedere il § 4.2.2.
- Ruote, sedile, braccioli, poggiatesta (se presenti): fissaggio corretto.
- Stato delle batterie: ricarica secondo necessità, vedere il §3.7.
- Console di comando, batteria, modulo di alimentazione, motori elettrici, caricabatterie, luci e relativi cavi: assenza di danni quali fili sfilacciati, spezzati o esposti.
- Condizioni delle ruote / degli pneumatici: vedere il § 4.2.1.
- Condizioni dei componenti del telaio: assenza di deformazioni, instabilità, punti deboli o raccordi allentati.
- Sedile, schienale, poggiatesta (se presente) e imbottiture di braccioli e poggiatesta: assenza di usura eccessiva (come ammaccature, danni o lacerazioni).

Rivolgersi al proprio rivenditore specializzato per le riparazioni o i ricambi eventualmente necessari.

Ogni mese

In caso di rimessaggio prolungato della carrozzina, occorre comunque caricare ogni mese le batterie. Durante tali periodi, è inoltre possibile lasciare il caricabatterie collegato alla batteria e alla rete elettrica. Per maggiori informazioni, vedere il § 3.7.

Annualmente o con maggiore frequenza

Almeno una volta all'anno, o con maggiore frequenza, richiedere al proprio rivenditore specializzato un intervento di ispezione e manutenzione della carrozzina. La frequenza minima di manutenzione dipende dall'uso, e deve pertanto essere concordata con il proprio rivenditore specializzato.

In caso di rimessaggio

Avere cura di immagazzinare la carrozzina in un ambiente asciutto, per evitare la formazione di muffa o danni alla selleria.

4.2 Istruzioni per la manutenzione

4.2.1 Ruote e pneumatici

i Il funzionamento corretto dei freni dipende dallo stato degli pneumatici, che può variare a seconda dell'usura e dell'eventuale contaminazione (acqua, olio, fango e così via).

- Tenere pulite le ruote da fili, capelli, sabbia e fibre.
- Verificare il profilo degli pneumatici. Se la profondità del battistrada è inferiore a 1 mm, occorre sostituire gli pneumatici. A tale scopo, rivolgersi al proprio rivenditore specializzato.

4.2.2 Pulizia

ATTENZIONE

Rischio di danni da umidità

- Tenere pulita la console di comando e proteggerla dall'acqua e dalla pioggia.
- Non pulire la carrozzina con manichette o idropulitrici.

Strofinare tutti i componenti rigidi della carrozzina con un panno umido (non zuppo). Se necessario, utilizzare un detergente delicato, adatto per smalti e materiali sintetici.

È possibile pulire la selleria con acqua tiepida e un detergente delicato. Non utilizzare detergenti abrasivi per la pulizia.

Tenere pulite e libere da accumuli di polvere le aperture di ventilazione del caricabatterie. Rimuovere la polvere soffiandola via e, se necessario, pulire l'involucro del caricabatterie con un panno leggermente inumidito.

4.2.3 Disinfezione

ATTENZIONE

Rischio di danni

La disinfezione deve essere eseguita esclusivamente da personale con un'opportuna formazione. Consultare il proprio rivenditore specializzato.

4.3 Soluzione dei problemi di funzionamento

Anche se si utilizza la carrozzina nel modo corretto, non è possibile escludere la possibilità che si verifichi un problema tecnico.

In tal caso, rivolgersi al rivenditore specializzato della propria zona.

**AVVERTENZA**

Rischio di lesioni e di danni alla carrozzina

- NON tentare MAI di riparare personalmente la carrozzina.
- Per guasti alla console di comando, contattare il proprio rivenditore specializzato, che stabilirà se la console ha bisogno di essere riprogrammata.

In caso di guasto, la console di comando visualizza un apposito , codice; vedere §5.

I sintomi indicati di seguito possono segnalare un problema grave. Rivolgersi pertanto sempre al proprio rivenditore specializzato se si rileva una qualunque delle seguenti anomalie:

- Rumori strani;
- Cablaggi elettrici sfilacciati/danneggiati;
- Connettori incrinati o spezzati;
- Usura irregolare del battistrada di uno pneumatico;
- Movimenti a scatti;
- Tendenza della carrozzina a deviare lateralmente;
- Gruppi ruota danneggiati o spezzati;
- Mancata accensione della carrozzina (fusibile bruciato);
- Carrozzina accesa ma che non reagisce ai comandi di movimento, vedere il § 3.4.

4.4 Durata prevista

La carrozzina ha una durata media prevista di 5 anni. Tale valore aumenta o diminuisce a seconda della frequenza di utilizzo, delle condizioni di guida e della manutenzione.

4.5 Utilizzi successivi

Prima di essere riutilizzata da un'altra persona, la carrozzina deve essere disinfettata, ispezionata e revisionata secondo le istruzioni riportate nel §4.1 e §4.2.



4.6 Fine vita

A fine vita, occorre smaltire la carrozzina conformemente alla legislazione ambientale locale. Il modo migliore per farlo consiste nello smontare la carrozzina per agevolare il trasporto dei componenti riciclabili.

5 Soluzione dei problemi di funzionamento



AVVERTENZA

Rischio di lesioni e di danni alla console di comando o alla carrozzina

- NON tentare MAI di riparare personalmente la console di comando.
- Per guasti alla console di comando, contattare il proprio rivenditore specializzato, il quale stabilirà se la console ha bisogno di essere riprogrammata.

In caso di un potenziale problema, un codice di sistema viene visualizzato dai LED lampeggianti dell'indicatore di stato della batteria, vedere §3.3 (2). La tabella riportata di seguito riassume i possibili codici di sistema. Alcuni problemi possono essere risolti dall'utente. Per tutti i problemi contrassegnati in grigio, rivolgersi al proprio rivenditore specializzato.

Tabella 2: Soluzione dei problemi di funzionamento

Codice	Problema	Significato
1	Batteria scarica / cattivo collegamento alla batteria	Controllare i collegamenti alle batterie. Se i collegamenti sono buoni, provare a caricare le batterie.
2	Cattivo collegamento del motore sinistro o dell'encoder	Controllare i collegamenti al motore sinistro e all'encoder.
3	Cablaggio difettoso sul motore sinistro / condizione di stallo	
4	Cattivo collegamento del motore destro o dell'encoder	Controllare i collegamenti al motore destro e all'encoder.
5	Cablaggio difettoso sul motore destro / condizione di stallo	
7	Guasto al joystick	Prima di accendere la centralina di controllo, accertarsi che il joystick si trovi in posizione centrale.
7 + S ¹	Errore di comunicazione	Assicurarsi che il cavo del modulo joystick sia collegato saldamente e non sia danneggiato.
8	Possibile guasto alla centralina di controllo	Assicurarsi che tutti i collegamenti siano saldi.
9	Cattivo collegamento del freno di stazionamento	Controllare i collegamenti del freno di stazionamento e del motore. Assicurarsi i collegamenti della centralina di controllo siano saldi.
10	Tensione eccessiva	Una tensione eccessiva è solitamente causata da un cattivo collegamento della batteria. Verificare i collegamenti della batteria.

¹S = LED indicatori di velocità lampeggianti.

6 Specifiche tecniche

I dettagli tecnici riportati di seguito sono validi soltanto per la carrozzina oggetto del manuale, con le impostazioni standard e in condizioni ambiente ottimali. Durante l'uso, tenere conto di questi dati di dettaglio. I valori indicati non sono più validi se la carrozzina ha subito modifiche o danni, oppure presenta un livello elevato di usura. Non dimenticare che le prestazioni di guida risentono della temperatura e dell'umidità ambiente, della pendenza (guida in salita/discesa), del tipo di superficie e dello stato della batteria.



Tabella 1: Specifiche tecniche

Marchio	Vermeiren
Tipo	Carrozzina elettrica, classe A
Modello	Verso
Massa massima dell'utente	130 kg

Descrizione	Dimensioni
Lunghezza complessiva con appoggio per le gambe	1078 mm (profondità minima del sedile)
Larghezza complessiva (a seconda della larghezza del sedile)	610 mm 630 mm 650 mm 670 mm
Altezza complessiva	937 mm – 1002 mm
Massa totale	31,3 kg
Massa del componente più pesante	Telaio posteriore: 16,2 kg
Consumo energetico*	12,8 Ah: 15 km 17,5 Ah: 21 km
Pendenza nominale	3°
Superamento di ostacoli	15 mm
Velocità massima in avanti	6 km/h
Distanza di frenata max. partendo dalla velocità max.	1 m
Angolo del piano di seduta	5°
Profondità effettiva del sedile	420 - 480 mm
Larghezza effettiva del sedile	440 mm 460 mm 480 mm 500 mm
Altezza del bordo anteriore della superficie del sedile	521 mm
Angolazione dello schienale	5°
Altezza dello schienale	400 – 420 – 440 – 460 – 480 mm
Distanza fra poggiatesta e sedile	370 – 500 mm
Angolo fra le gambe e la superficie del sedile	105°
Distanza fra bracciolo e sedile	150 – 210 mm
Posizione anteriore della struttura del bracciolo	322,5 mm – 370 mm
Raggio di volta minimo	1145 mm
Luce libera da terra	61 mm



IT

Marchio	Vermeiren
Tipo	Carrozzina elettrica, classe A
Modello	Verso
Massa massima dell'utente	130 kg

Diametro delle ruote posteriori	12"
Tipo delle ruote posteriori**	Pneumatici in PU
Diametro delle ruote anteriori	200x50
Tipo delle ruote anteriori**	Pneumatici in PU
Descrizione elettrica	
Batteria	12,8 Ah 17,5 Ah
Motori elettrici di trazione	2 x 250 W
Fusibile	20 A
Prove di resistenza a norma	ISO 7176-8
Prove del sistema di alimentazione e controllo a norma	ISO 7176-14
Infiammabilità della selleria a norma	EN1021-2:2006
Conformità EMC	ISO 7176-21
Grado di protezione	IPX4
Livello di rumore	< 65 dB (A)
Temperatura di rimessaggio e di utilizzo	+5 °C ~ +41 °C
Temperatura ambiente per l'elettronica	-10°C ~ +40°C
Umidità di rimessaggio e di utilizzo	30% - 70%

Vermeiren si riserva il diritto di introdurre modifiche tecniche. Tolleranze di misura ± 15 mm / 1,5 kg / 1,5°.

*** L'autonomia teorica si riduce se la carrozzina viene utilizzata spesso su superfici inclinate o terreni sconnessi, oppure per superare cordoli.**

**** Poiché è possibile utilizzare pneumatici differenti, prendere nota della pressione di esercizio corretta per quelli in uso. Per altri valori del diametro degli pneumatici, rivolgersi al proprio rivenditore specializzato.**

Contenido

Contenido	1
Introducción	2
1 Su producto	3
1.1 Opciones.....	3
2 Antes de su uso	4
2.1 Uso previsto.....	4
2.2 Instrucciones generales de seguridad.....	4
2.3 Símbolos presentes en la silla de ruedas.....	5
2.4 Transporte.....	5
2.5 Montaje/Desmontaje.....	6
2.6 Primer uso y almacenamiento.....	9
3 Utilizar la silla de ruedas	10
3.1 Primera conducción.....	10
3.2 Conducción en el exterior.....	10
3.3 Panel de control.....	12
3.4 Palanca de frenado y rueda libre.....	13
3.5 Trasladarse hacia/de la silla ruedas.....	13
3.6 Ajustes de comodidad.....	14
3.7 Estado de la batería y su recarga.....	16
3.8 Encender y apagar el dispositivo eléctrico.....	17
3.9 Montar/desmontar la batería.....	18
4 Mantenimiento	19
4.1 Tiempo de mantenimiento.....	19
4.2 Instrucciones de mantenimiento.....	20
4.3 Resolución de problemas.....	20
4.4 Vida útil prevista.....	21
4.5 Reutilizar.....	21
4.6 Fin de vida útil.....	21
5 Resolución de problemas	22
6 Especificaciones técnicas	23

Introducción

¡Felicidades! Es usted el propietario de una silla de ruedas Vermeiren.

Esta silla de ruedas ha sido fabricada por personal experto y cualificado. Se ha diseñado y fabricado según los más altos estándares de calidad, aplicados por Vermeiren.

Le agradecemos su confianza en los productos Vermeiren. Le ofrecemos este manual para ayudarle en la utilización de su silla de ruedas y sus opciones de manejo. Léalo detenidamente. Le ayudará a familiarizarse con el manejo, las capacidades y limitaciones de su silla de ruedas.

Si todavía tiene alguna duda después de leer este manual, contacte con su distribuidor especializado, estará encantado de ayudarle.

Nota importante

Para garantizar su seguridad y prolongar la vida útil de su producto, cuídalo bien y asegúrese de realizar revisiones y mantenimientos de manera regular.

Este manual representa el último desarrollo del producto. Vermeiren se reserva el derecho a aplicar cambios en este tipo de producto sin que ello suponga obligación alguna de adaptar o cambiar productos similares previamente entregados.

Las imágenes están presentes para clarificar las instrucciones contenidas en este manual. Los detalles del producto mostrado pueden variar con su producto.

Información disponible

En nuestro sitio web <http://www.vermeiren.com/> siempre encontrará la versión más reciente de la siguiente información. Consulte este sitio web de manera regular para estar al tanto de posibles actualizaciones.

Las personas con discapacidad visual pueden descargarse la versión electrónica del manual y utilizar un software de síntesis de voz para poder oír su contenido.



Este manual de usuario
Para el usuario y el distribuidor especializado



Instrucciones de instalación (instrucciones para ajustes de detalles, montaje y desmontaje)
Para el distribuidor especializado



Manual de mantenimiento para sillas de ruedas
Para el distribuidor especializado



Declaración CE de conformidad

1 Su producto



- | | |
|-----------------------------|--|
| 1. Respaldo | 7. Ruedas delanteras |
| 2. Panel de control | 8. Ruedas traseras / ruedas motrices con motores |
| 3. Reposabrazos | 9. Batería |
| 4. Asiento | 10. Cruceta |
| 5. Reposapiés | 11. Placa de identificación |
| 6. Paleta de los reposapiés | |

1.1 Opciones

- Póngase en contacto con su distribuidor especializado para consultar las opciones. Estará encantado de ayudarle.

2 Antes de su uso

2.1 Uso previsto

ES Este párrafo describe brevemente el uso previsto de la silla de ruedas. También se incluyen avisos pertinentes a las instrucciones en otros párrafos. De esta manera se pretende avisar al usuario de un eventual mal uso.

- Esta silla de ruedas es apta para su uso en interiores y exteriores.
- Esta silla de ruedas está diseñada y fabricada exclusivamente para transportar a una (1) persona con un peso máximo de 130 kg. No está diseñada para transportar mercancías u objetos, o para otros usos que no sean los descritos anteriormente.
- La silla de ruedas la puede operar el usuario sentado en la silla de ruedas, o puede empujarla un auxiliar. NO utilice la silla de ruedas sin un auxiliar si sufre de discapacidades físicas o mentales que puedan ponerle en riesgo a usted o a otras personas al conducir la silla de ruedas. Por tanto, consulte primero con su médico y asegúrese de que su distribuidor especializado esté al tanto de los consejos de su médico.
- Utilice solo accesorios y piezas de repuesto aprobados por Vermeiren.
- Consulte todos los datos técnicos y las limitaciones de la silla de ruedas en el capítulo 6.
- La garantía de este producto se basa en el uso y mantenimiento normales descritos en este manual. La garantía se invalida si el producto sufre cualquier daño causado por un uso indebido o falta de mantenimiento.

2.2 Instrucciones generales de seguridad

**PRECAUCIÓN**

Riesgo de lesiones y daños

Lea y siga las instrucciones contenidas en este manual. De no seguirlas, puede acabar lesionándose a sí mismo, o acabar rompiendo la silla de ruedas.

Tener en cuenta las siguientes advertencias durante su utilización:

- No utilizar la silla de ruedas si se ha consumido alcohol, medicamentos u otras sustancias que afecten la capacidad de conducir.
- Tener en cuenta que ciertas partes de la silla de ruedas pueden llegar a calentarse o enfriarse demasiado a causa de la temperatura ambiente, la luz del sol, equipos de calefacción, o debido al accionamiento del motor durante la conducción. Tener siempre cuidado al tocar la silla de ruedas. Llevar ropa protectora cuando haga frío. Después de conducir, esperar a que la silla de ruedas/motor se haya enfriado.
- Antes de poner en marcha la silla de ruedas, tenga en cuenta el entorno/situación en que se encuentra. Ajustar la velocidad antes de comenzar a conducir. Se recomienda ir a la velocidad mínima al conducir en interiores. Para conducir en exteriores, se puede ajustar la velocidad hasta aquella en la que se sienta seguro y cómodo el usuario.
- Tener SIEMPRE en cuenta que la silla de ruedas puede pararse de repente si se agota la batería o se activa alguna medida de protección que evita que se dañe la silla de ruedas. Comprobar también las posibles causas mencionadas en el § 4.3. Utilizar el cinturón de seguridad disponible para evitar lesiones.
- Se han realizado pruebas sobre la compatibilidad electromagnética de la silla de ruedas, y cumple con los estándares, véase el capítulo 6. Aun así, es posible que un campo electromagnético influya en la conducción de la silla de ruedas, como los campos de teléfonos móviles, generadores eléctricos, o fuentes de alimentación de alta potencia. Por otro lado, los componentes electrónicos de la silla de ruedas también pueden afectar a otros aparatos eléctricos, como los sistemas de alarma de las tiendas y puertas automáticas. Por tanto, se recomienda comprobar regularmente que la silla de ruedas no presente daños o desgastes, ya que podrían agravar la interferencia (véase también el capítulo 4).

- Solo conducir en superficies planas en las que ambas ruedas motrices toquen el suelo y en las que hay suficiente contacto para manejar la silla de ruedas de manera segura.
- No realizar alteraciones o sustituciones a los puntos de sujeción o a piezas o componentes del bastidor o estructurales sin antes consultar al fabricante de la silla de ruedas.
- Asegurarse de que manos, ropa, cinturones, hebillas o joyas no queden atrapados por las ruedas u otras piezas móviles durante su uso.

Tenga en cuenta que la silla de ruedas puede llegar a interferir con algunos sistemas antirrobo, dependiendo de la configuración que se use. Esto puede hacer que salte la alarma de las tiendas.

Cualquier incidente grave [MDR (EU) 2017/745 §2 (65)] que se haya producido en relación con el producto debe notificarse al fabricante y a la autoridad competente del Estado miembro en el que esté establecido el usuario y/o paciente.

2.3 Símbolos presentes en la silla de ruedas

Los símbolos de la siguiente lista son aplicables a la silla de ruedas. Los símbolos están recogidos en la normativa ISO pertinente (ISO 7000, ISO 7001 e IEC 417).



Peso máximo del usuario en kg



Uso exclusivo en interior (cargador de batería)



Pendiente máxima segura en ° (grados).



Velocidad máxima



Tipo de modelo



Riesgo de aprisionamiento

2.4 Transporte

PRECAUCIÓN

Riesgo de daños

Asegurarse de proteger la silla de ruedas contra daños durante su transporte.

2.4.1 Retirar del camino

Utilizar el panel de control para conducir la silla de ruedas a su destino.

Si no, poner la silla de ruedas en modo rueda libre (véase el §3.4) y utilizar la barra de empuje para moverla.

2.4.2 Transporte aéreo

Al viajar en avión con la silla de ruedas, asegurarse de bloquear y desconectar la batería antes de entregar la silla de ruedas al personal del aeropuerto (véase el §3.9 y el §3.8). Puede dejarse la batería en la silla de ruedas. Consulte con su compañía aérea los procedimientos de manejo correctos.



2.4.3 Transporte mediante vehículo como equipaje

La mejor manera de subir la silla de ruedas eléctrica al coche es mediante rampas. Si no se tiene experiencia conduciendo la silla eléctrica sobre rampas, se puede colocar la silla de ruedas en modo neutral y empujar la silla de ruedas dentro del coche usando rampas. Si fuera necesario, desmantelar la silla de ruedas.

1. En cuanto al usuario, trasladarle a un asiento del coche, véase el §3.5.
2. Retirar todas las piezas móviles antes de transportar la silla (reposapiés, reposabrazos, etc.).
3. Almacenar de forma segura las piezas móviles detrás del asiento del pasajero o en el maletero.
4. Conducir o empujar la silla de ruedas dentro del coche utilizando rampas, o izar la silla de ruedas dentro del coche con ayuda de 2 personas agarrando las piezas fijas de los bastidores.
5. Atar firmemente las piezas sólidas del bastidor al vehículo.
6. Poner la silla de ruedas en modo de conducción (accionando los frenos de estacionamiento) y comprobar que el panel de control esté apagado.

2.5 Montaje/Desmontaje

 PRECAUCIÓN Riesgo de lesiones

- Asegurarse de que no queden atrapados dedos, ropa o cinturones durante el montaje y el desmontaje.

El distribuidor entregará la silla de ruedas completamente montada y explicará los varios elementos de control y sus usos. En este manual también se explican con más detalle las diferentes piezas con fines de transporte

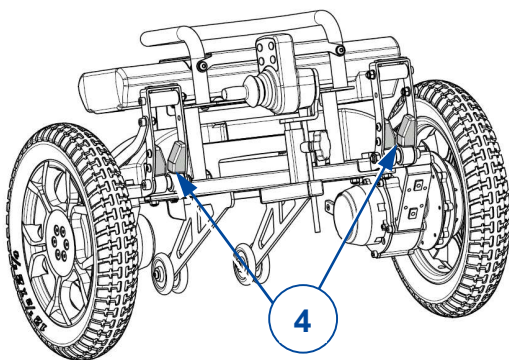
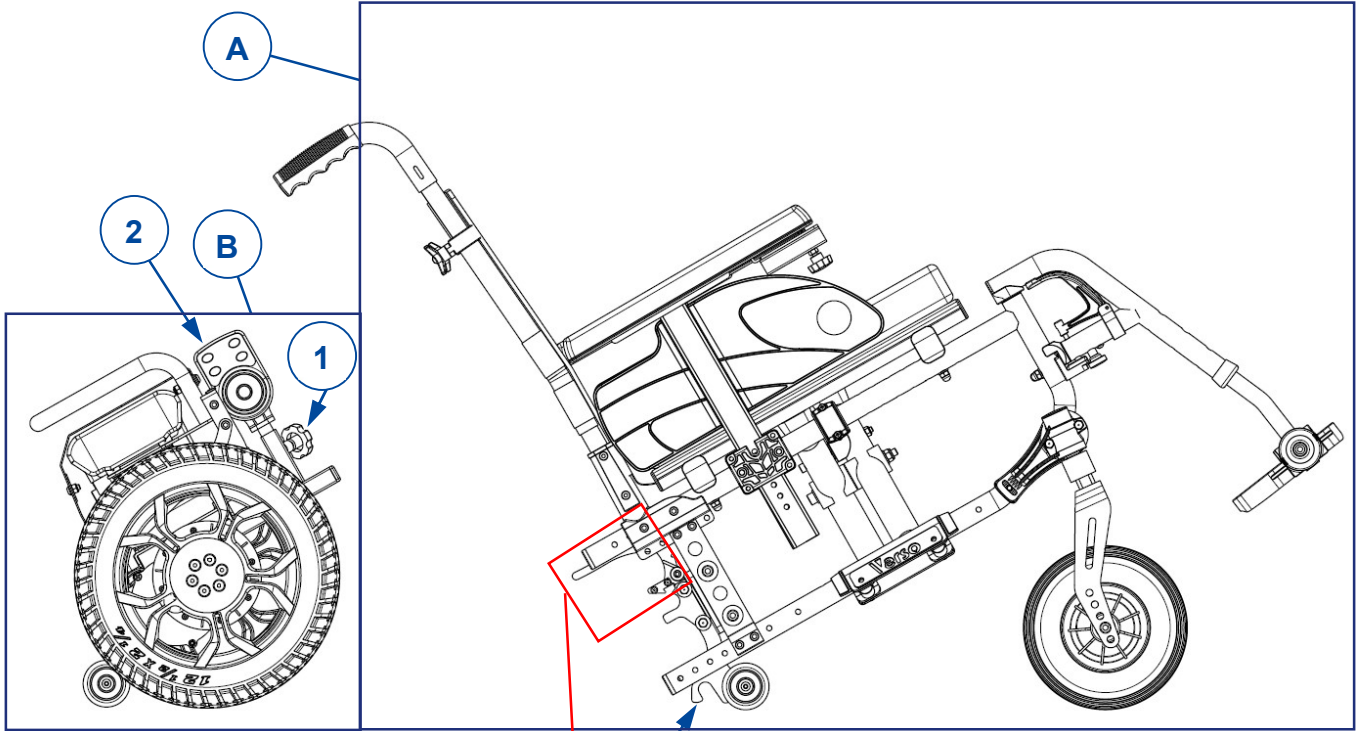
Para montar la silla de ruedas eléctrica:

1. Desplegar el bastidor de asiento (A).
2. Colocar el bastidor de asiento sobre las ruedas delanteras y las ruedas de apoyo traseras.
3. Colocar la unidad de accionamiento (B) detrás del bastidor de asiento.
4. Desatornillar la perilla de estrella (1) y retirar el panel de control (2) de la unidad de accionamiento. Dejar temporalmente el panel en un lugar seguro, por ejemplo, sobre el respaldo.
5. Colocar los ganchos del bastidor de asiento (3) en las varillas (4) de la unidad de accionamiento.
6. Empujar el bastidor de asiento hacia abajo hasta que se oiga un clic y el bastidor quede firmemente sujeto a la unidad de accionamiento, tanto a la izquierda como a la derecha. Compruebe que los ganchos (8) estén bloqueados en posición hacia abajo. Si el bastidor del asiento no encaja automáticamente, coloque el bastidor en la unidad de accionamiento y empuje los ganchos (8) hacia abajo manualmente.
7. Montar los reposabrazos (§3.6.2).
8. Montar los reposapiés (§0).
9. Deslizar el panel de control en el soporte del reposabrazos (5). Apretar la perilla de estrella (6) y fijar el cable con los pestillos (7).

Para desmontar la silla de ruedas eléctrica:

1. Soltar el cable de los pestillos del reposabrazos. Aflojar la perilla de estrella (6) del panel de control y extraer el panel. Dejar temporalmente el panel en un lugar seguro.
2. Tirar hacia arriba de los ganchos (8) situados a ambos lados del bastidor inferior. La unidad de accionamiento queda ahora separada del bastidor y se inclinará hacia atrás sobre sus ruedas de apoyo.
3. Levantar el bastidor de asiento y separarlo de la unidad de accionamiento.
4. Retirar los reposabrazos.
5. Retirar los reposapiés.
6. Plegar el bastidor de asiento.
7. Colocar el panel de control (2) en el soporte correspondiente de la unidad de accionamiento y apretar la perilla de estrella (1).

ES



2.6 Primer uso y almacenamiento

 PRECAUCIÓN Riesgo de dañar la batería

- No descargar nunca completamente la batería.
- No interrumpir el ciclo de carga; solo desconectar el cargador de batería cuando la batería esté completamente cargada.
- Asegurarse de que la silla de ruedas se almacena en un ambiente seco para evitar el crecimiento de moho o que se dañe la tapicería.
- Comprobar los datos técnicos de almacenamiento, véase capítulo 6.

Asegurarse de que la batería se ha cargado completamente antes de utilizar la silla de ruedas; preguntar al distribuidor si ya se ha realizado esa tarea. Para recargar, seguir las instrucciones de carga en §3.7.

3 Utilizar la silla de ruedas



AVISO

Riesgo de lesiones

- Leer antes los capítulos anteriores e informarse sobre el uso previsto. NO utilizar la silla de ruedas si no se han leído detenidamente y entendido completamente todas las instrucciones.
- ¡Leer también las instrucciones en el manual del panel de control y del cargador de batería!
- En caso de tener dudas o preguntas, contacte con su distribuidor especializado local, proveedor de cuidados o asesor técnico para recibir asesoramiento.

3.1 Primera conducción



PRECAUCIÓN

Riesgo de lesiones y daños

- Tener siempre en cuenta el alcance de giro del reposapiés y del panel de control para evitar lesionar a otras personas o dañar objetos.
 - Siempre desconectar el cargador de batería de la silla de ruedas antes de comenzar a conducirla.
- i**
- Asegurarse de estar familiarizado con el manejo de la silla de ruedas antes de utilizarla en lugares concurridos y posiblemente peligrosos. Probar la silla de ruedas primero en un área abierta y amplia con pocos transeúntes.
 - Investigar los efectos del desplazamiento del centro de gravedad en el comportamiento de la silla de ruedas, por ejemplo, en gradientes hacia arriba o abajo, suelos con pendientes laterales, o al salvar obstáculos. Pedir ayuda a un asistente.
 - La superficie del controlador se calienta levemente durante la utilización de la silla de ruedas.
 - Al conducir marcha atrás, la velocidad es reducida.
1. Asegurarse de que:
 - la silla de ruedas esté en una superficie plana;
 - la batería esté completamente cargada, véase el § 3.7;
 - el motor esté acoplado, véase el § 3.4;
 - la silla esté adaptada a las necesidades y a la comodidad del usuario, véase el § 3.6;
 - el usuario esté sentado en la postura adecuada, véase el § 3.5.
 2. Seguir las instrucciones del manual del panel de control.
 3. Encender la silla de ruedas.
 4. Girar el controlador de velocidad a la velocidad mínima.
 5. Probar la conducción hasta habituarse y realizar cualquier ajuste necesario a la silla de ruedas.
 6. Una vez que el usuario se sienta más seguro, repetir estos pasos a más velocidad.
 7. Luego intentar girar, moviendo la silla de ruedas hacia delante y atrás. Repetir este paso un par de veces.
 8. Asegurarse de que la silla de ruedas esté estable al acabar de conducir.
 9. Apagar la silla de ruedas.

3.2 Conducción en el exterior



AVISO

Riesgo de accidente - Ajuste su velocidad y comportamiento de conducción.

- Tener siempre en cuenta las leyes de tráfico locales, que pueden variar según el país. Esto incluye conducción por aceras, caminos sin asfaltar y carreteras asfaltadas.
- No conducir en carreteras con tráfico pesado.

- Tener siempre en cuenta las condiciones meteorológicas. Evitar conducir con tiempo húmedo, calor extremo, nieve, hielo y temperaturas por debajo de cero. Consultar las especificaciones técnicas en el capítulo 6.
- Asegúrese de resultar visible, incluso durante el día, utilizando prendas fluorescentes o utilizando iluminación propia en la parte delantera y trasera de la silla de ruedas.
- Prestar atención al resto de los transeúntes, para quienes la silla de ruedas puede llegar a ser un obstáculo. Prestar especialmente atención al girar o al echar marcha atrás. Si no se está familiarizado con cómo conducir marcha atrás, practicar primero en un área abierta. Indicar la dirección a la que se quiere ir antes de girar.
- Intentar conducir en línea recta al pasar por pasajes estrechos para evitar quedarse atrapado.
- Tener siempre en cuenta la distancia de freno. La distancia de frenado depende de la velocidad, la superficie, las condiciones climatológicas, la pendiente y el peso del usuario.

3.2.1 Superación de cuestas, bordillos, obstáculos o rampas

 PRECAUCIÓN Riesgo de lesiones por movimientos inesperados

- Utilizar un cinturón de seguridad para evitar caerse de la silla de ruedas.
 - Prestar atención si el camino es arenoso, es de suelo blando, tiene agujeros o huecos, ya que podría causar que las ruedas se atasquen o reducir la tracción de las ruedas motrices.
 - NO conducir en pendientes, obstáculos, escalones o bordillos de mayor tamaño que los descritos en las especificaciones técnicas del capítulo 6.
 - Siempre salvar bordillos de frente.
 - No poner la silla de ruedas en modo rueda libre en pendientes. La silla de ruedas podría empezar a moverse causando lesiones al mismo usuario o a otros transeúntes.
 - No utilizar la silla de ruedas en escaleras o escaleras mecánicas.
 - Solo utilizar rampas homologadas por Vermeiren y no exceder su capacidad de carga máxima.
 - Para superar con seguridad los obstáculos o las pendientes, colocar la silla de ruedas en la posición más erguida posible.
- i** Si la silla de ruedas se para en pendiente, el freno se accionará automáticamente para evitar que la silla de ruedas se mueva hacia delante o atrás.

PRECAUCIÓN Riesgo de daños

- Aparcar siempre la silla de ruedas eléctrica en superficies planas y horizontales y en lugares de acceso fácil.
- Si fuera necesario, tomar carrerilla con la silla de ruedas para superar una pendiente, un obstáculo, un bordillo o una rampa. Tener cuidado con la silla de ruedas para no sufrir choques fuertes.
- Asegurarse de que la silla de ruedas no toca el suelo o la rampa debido a la inclinación de la silla de ruedas.
- Téngase en cuenta que la distancia de frenado cuesta abajo es considerablemente mayor que en un terreno llano.

Procedimiento

- Comenzar a conducir siguiendo las instrucciones en el § 3.1, paso 1.
- Para subir o bajar las escaleras/peldaños con la silla de ruedas, utilizar equipo elevador o una rampa. Si no hay disponibles, se puede izar la silla manualmente con por lo menos dos personas, agarrando el bastidor firmemente con ambas manos. No utilizar el respaldo, las paletas de los reposapiés, los reposabrazos o las ruedas para agarrar la silla de ruedas.
- Para superar obstáculos o inclinaciones:
 1. Ajustar la silla de ruedas a su posición más estable, véase el § 3.5.
 2. Conducir lo más lento posible para superar el obstáculo o inclinación.

3.3 Panel de control

i Colocar la palanca de mando en la posición neutral (central) antes de presionar el botón de encendido/apagado, ya que, si no, los componentes electrónicos se bloquearán. Para desbloquearlos, apagar y volver a encender el panel de control.

1. Botón de encendido/apagado
2. Indicador de carga de la batería
3. Indicador de velocidad
4. Botón de la bocina
5. Botón de disminución de velocidad
6. Botón de aumento de velocidad
7. Palanca de mando



3.3.1 Protecciones técnicas

Por la seguridad del usuario y para evitar que la silla de ruedas se dañe, los movimientos están monitorizados por componentes electrónicos. Esto puede resultar en que se reduzca la velocidad o se detenga completamente la silla de ruedas.

- Para evitar que se agote la batería accidentalmente, la silla de ruedas viene equipada con un sistema de apagado automático. El sistema apaga el panel de control automáticamente cuando no se maneja durante un tiempo. Si esto ocurriese, simplemente volver a encender el panel de control.
- Asegurarse de que la palanca de rueda libre está en la posición de freno ANTES de encender la silla de ruedas. Los frenos electromagnéticos NO funcionan si la silla de ruedas está en modo rueda libre. Esto viene indicado en el panel de control. No se puede conducir.

3.3.2 Conducción

1. Pulse el botón de encendido/apagado (1) para encender la silla de ruedas.
2. Si se encienden las luces del indicador de carga de la batería (2) y del indicador de velocidad (3), entonces la silla de ruedas está cargada y lista para su uso.
3. Comprobar el indicador de la batería. Cargar la batería si fuera necesario (véase el §3.7).
4. Ajustar la velocidad de conducción: reducir la velocidad con el botón de disminución de velocidad (5) o incrementarla con el botón de aumento de velocidad (6).
5. Para empezar a mover la silla de ruedas, empujar la palanca de mando (7) lentamente hacia delante/atrás.
6. La velocidad incrementa cuando se empuja la palanca de mando más lejos del centro.
7. Para girar a la izquierda o derecha, empujar la palanca de mando a la izquierda o derecha.
8. Para frenar, mover la palanca de mando a la posición neutral.
9. Pulsar el botón de la bocina (4) para alertar a otros usuarios en la carretera, en caso de que fuera necesario.
10. Una vez llegado a su destino, comprobar el estado de la batería y pulsar el botón de encendido/apagado para apagar la silla de ruedas.
11. Cargar la batería si fuera necesario.

3.4 Palanca de frenado y rueda libre

 PRECAUCIÓN Riesgo de lesiones o daños

- Manejar la palanca de rueda libre solo cuando la silla de ruedas esté APAGADA. La palanca de rueda libre debe manejarla un asistente. NUNCA debe manejarse la palanca de rueda libre sentado en la silla de ruedas.
- No utilizar el modo rueda libre en pendientes o inclinaciones.

i Asegurarse de que la palanca de rueda libre está en la posición de freno ANTES de encender la silla de ruedas. Los frenos electromagnéticos NO funcionan si la silla de ruedas está en modo rueda libre. Esto viene indicado en el panel de control. No se puede conducir.

La silla de ruedas viene equipada con frenos electromagnéticos. El funcionamiento de los frenos depende de la posición de la palanca de rueda libre (1).

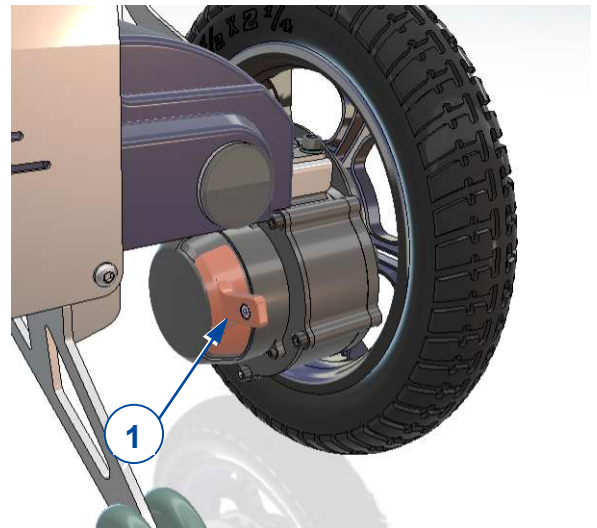
Los frenos electromagnéticos **solo** funcionan de manera automática si la palanca de rueda libre (1) está en posición de freno. En esta situación, los frenos se accionarán si:

- la silla de ruedas está APAGADA;
- la silla de ruedas está ENCENDIDA y se suelta la palanca de mando.

Al soltar la palanca de mando, la silla de ruedas comienza a pararse lentamente y acciona los frenos.

Funcionamiento de la palanca de rueda libre:

- Empujar las palancas HACIA ARRIBA para poner la silla de ruedas en modo rueda libre. Ahora el motor está desconectado. La silla de ruedas puede moverse manualmente.
- Empujar las palancas HACIA ABAJO para conectar el motor al accionador. Esto hay que hacerlo antes de poner en marcha la silla de ruedas.



3.5 Trasladarse hacia/de la silla ruedas

 PRECAUCIÓN Riesgo de lesiones o daños

- En caso de que no se pueda hacer el traslado de manera segura, pedir ayuda a alguien.
- No apoyarse en las paletas de los reposapiés durante el traslado hacia o desde la silla de ruedas.

Traslado

1. Coloque la silla de ruedas lo más cerca posible de usted mientras esté sentado en su silla, sofá, asiento o cama.
2. Aplicar los frenos empujando la palanca de rueda libre a la posición de freno, véase el § 3.4.
3. Plegar la(s) paleta(s) de los reposapiés hacia arriba para evitar apoyarse en ellas.
4. Si fuera necesario, retirar uno de los reposabrazos para hacer espacio, véase el § 3.6.2.
5. Trasládese hacia/de la silla de ruedas utilizando la fuerza de los brazos o con la ayuda de un asistente o un equipo de elevación.

Sentarse en la silla de ruedas

1. Siéntese sobre el asiento apoyando la zona lumbar contra el respaldo.
2. Girar la(s) paleta(s) de los reposapiés hacia abajo y colocar los pies en las paletas.

3. Volver a colocar el reposabrazos si procede.
4. Asegurarse de que los muslos estén en posición horizontal y que los pies estén en una posición cómoda. Ajustar si fuera necesario.
5. Asegurarse de que los brazos estén doblados y descansando cómodamente en las almohadillas. Ajustar si fuera necesario.

ES

Ajustar a una posición estable

Para el transporte y para cuando se salven obstáculos, la silla de ruedas tiene que ajustarse para maximizar su estabilidad:

- Respaldo erguido
- La paleta del reposapiés plegada hacia arriba

3.6 Ajustes de comodidad

 PRECAUCIÓN Riesgo de lesiones o daños

- Los siguientes ajustes de comodidad pueden realizarlos el auxiliar o el cuidador. El resto de ajustes ha de realizarlos el distribuidor especializado siguiendo las instrucciones de instalación, véase la introducción.
- Asegurarse de que no queden atrapados dedos, ropa o cinturones durante el ajuste.

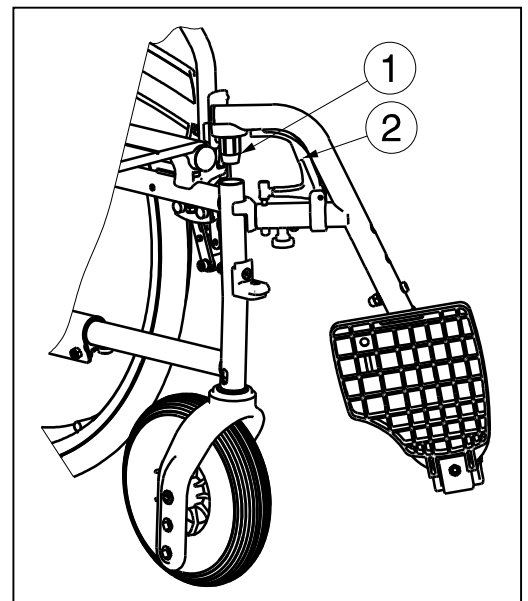
3.6.1 Montar o retirar los reposapiés

El montaje de los reposapiés se realiza de la siguiente manera:

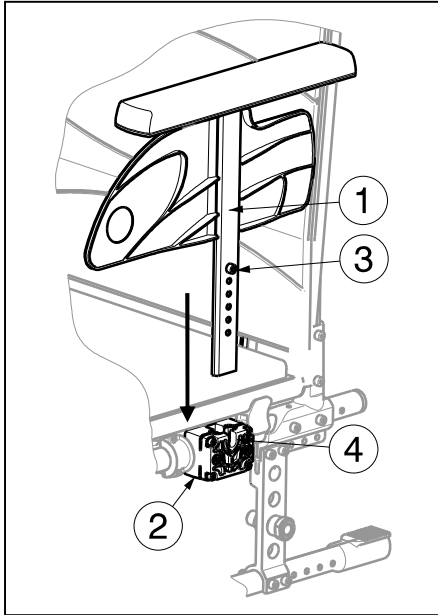
1. Sostener el reposapiés lateralmente por la parte exterior del bastidor de la silla de ruedas y montar la cubierta del tubo ① en el bastidor.
2. Girar el reposapiés hacia dentro hasta que se bloquee haciendo un clic.
3. Girar la paleta del reposapiés hacia abajo.

Para quitar los reposapiés:

1. Tirar de la palanca ②.
2. Girar el reposapiés hacia el exterior de la silla de ruedas hasta que se suelte de la estructura.
3. Separar el reposapiés de la cubierta del tubo ①.

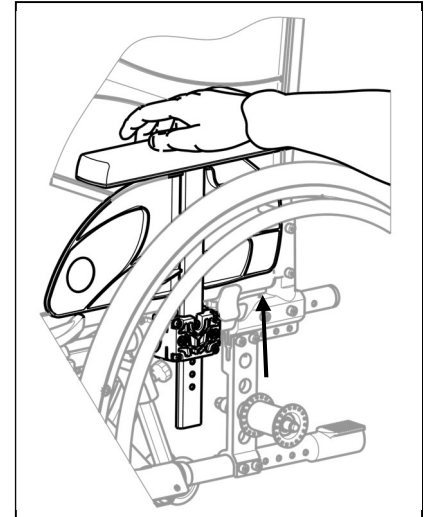


3.6.2 Montar o retirar los reposabrazos



Los reposabrazos de la silla de ruedas pueden montarse según las instrucciones.

1. Montar el reposabrazos ① en el soporte del reposabrazos ② hasta que el tornillo ③ encaje en el manguito ④.
2. Asegurarse de que el reposabrazos ① está bien fijado.



Para retirar el reposabrazos:

1. Agarrar la almohadilla para los brazos y separar con cuidado el reposabrazos de su soporte.

3.6.3 Altura del respaldo

La altura del respaldo puede ajustarse a 5 posiciones diferentes.

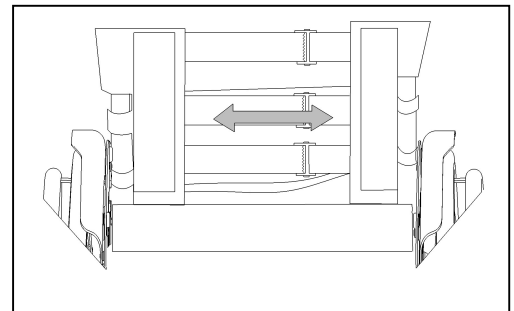
1. Retirar la perilla de estrella (1).
2. Deslizar la tapicería del respaldo hacia arriba/abajo hasta alcanzar la altura deseada. Asegurarse de que el orificio para la perilla de estrella en el tubo del bastidor está alineado con uno de los orificios de la tapicería.
3. Volver a colocar y a apretar la perilla de estrella.



3.6.4 Soporte del respaldo

El respaldo de la silla de ruedas dispone de un sistema de suspensión con correas de Velcro ajustables que permiten modificar la flexibilidad del respaldo.

1. Tirar del cojín del respaldo para separarlo de las cintas de Velcro del respaldo.
2. Aflojar las correas de Velcro.
3. Tirar de las correas correspondientes hasta que estén en la posición deseada. La tensión de cada una de las cintas puede variar para configurar el grado de apoyo del respaldo.
4. Volver a colocar el cojín del respaldo sobre el respaldo empezando por la parte frontal y finalizando por la parte trasera.
5. Asegurarse de que el Velcro está bien adherido presionando el cojín contra el respaldo con la mano.
6. Asegurarse de que todas las correas están bien fijadas con Velcro.



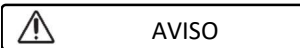
3.6.5 Altura de empuñaduras

Las empuñaduras disponen de un rango de 60 mm para su ajuste:

1. Aflojar la perilla de estrella (1).
2. Deslizar la empuñadura hacia arriba o abajo hasta alcanzar la altura deseada.
3. Apretar la perilla de estrella (1).
4. Repetir el proceso con la otra empuñadura. Asegurarse de que ambas empuñaduras estén bien fijadas.



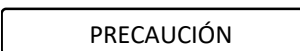
3.7 Estado de la batería y su recarga



AVISO

Riesgo de lesiones y daños por incendio

- Usar exclusivamente el cargador de batería suministrado con la silla de ruedas. La utilización de otro cargador puede ser peligroso (riesgo de incendio).
- El cargador de batería está diseñado exclusivamente para cargar las baterías suministradas con la silla de ruedas y no debe utilizarse para cargar otras baterías.
- No modificar ninguna de las piezas suministradas como cables, baterías, conectores o cargadores de batería. No abrir o cambiar nunca la batería o los puntos de conexión.
- Proteger la batería y el cargador de batería de las llamas, temperaturas altas y bajas (véase el capítulo 6), humedad, luz del sol e impactos fuertes (p. ej. caídas). NO utilizar la batería en estos casos.
- Recargar la batería en el interior con el cargador de batería, en una zona bien ventilada, y fuera del alcance de los niños.



PRECAUCIÓN

Riesgo de daños

- La autodescarga de la batería y la corriente de reposo de los equipos conectados consumen lentamente la carga de la batería. La batería puede sufrir daños irreparables si se descarga completamente. Por tanto, asegurarse de que se recargue a tiempo (véase 3.7).
- Las instrucciones de almacenamiento y mantenimiento pueden leerse en el capítulo 4 y los datos técnicos en el capítulo 6.
- No cargar la batería a temperaturas inferiores a 0°C. Mover la batería a un lugar más caluroso y comenzar a cargar.
- Mantener el punto de conexión del cargador de batería libre de polvo o cualquier otro tipo de suciedad.
- Si hubiera algún problema que impida cargar la batería según las instrucciones siguientes, póngase en contacto con su distribuidor especializado.

Para consultar cualquier información sobre el indicador de batería, léase el §3.7.

- i** Se recomienda desconectar el cargador de batería de la red eléctrica cuando no se está utilizando para evitar un consumo de energía innecesario.

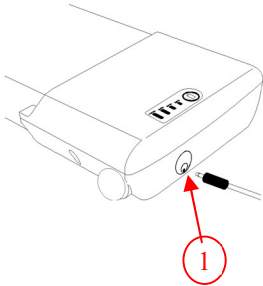
Siempre revisar si la batería está dañada antes de cargarla. Pulsar el botón de indicador de carga durante 2 segundos para encender la batería. Si no se enciende ningún indicador LED de carga, es posible que la batería esté dañada. Si se enciende al menos uno de los indicadores LED de carga, aunque no todos, entonces hay que cargar por completo el paquete de la batería antes de usarla por primera vez.

No cargar ni usar una batería dañada, póngase en contacto con su distribuidor especializado.

Para garantizar la plena capacidad de la batería, cargar por completo la batería con el cargador antes de usarla por primera vez. La batería puede recargarse en cualquier momento en la silla de ruedas o extraída de ella.

Instrucción para cargar la batería:

1. Apagar la batería.
2. Si se prefiere, extraer la batería de su carcasa y evitar la entrada de suciedad o líquidos en la toma de corriente.
3. Conectar el cable del cargador al paquete de la batería ①.
4. Conectar el enchufe del cargador a la toma de corriente.
5. El indicador LED en el cargador de batería mostrará el estado del proceso de carga:
 - Rojo - Cargando
 - Verde - Modo espera / Completamente cargada
6. Una vez que la batería esté completamente cargada, desconectar el cargador de la toma de corriente y de la batería.



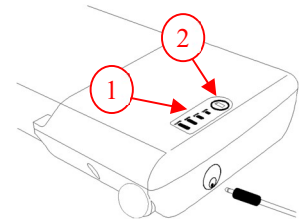
ES

3.7.1 Indicador de carga de la batería

Hay dos indicadores de carga de la batería:

En el paquete de la batería:

1. Pulsar el botón ② del paquete de la batería.
2. El indicador LED de carga de la batería ① mostrará el nivel de carga.



Panel de control:

Cuando el sistema eléctrico esté encendido, el indicador de la batería (2, §3.3) mostrará el nivel de carga de la batería.

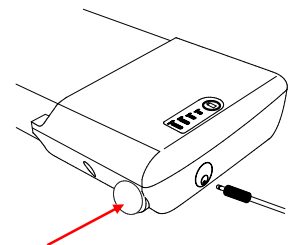
- Todos los LED encendidos: batería completamente cargada.
- Solo el LED rojo encendido o parpadeando: recargar de inmediato la batería.



Debido al cableado, estos dos indicadores pueden variar ligeramente. En ese caso, tomar como referencia el indicador que muestre el peor nivel de carga.

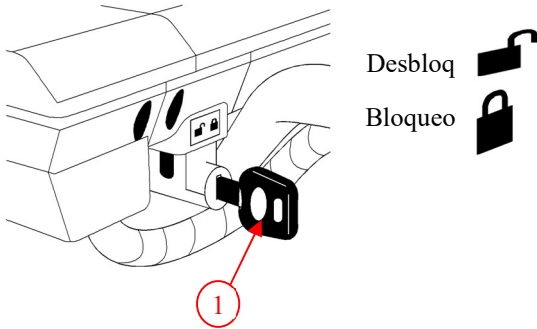
3.8 Encender y apagar el dispositivo eléctrico

Pulsar el botón de encendido/apagado en el lateral de la batería.



3.9 Montar/desmontar la batería

La batería puede retirarse para cargarla con facilidad lejos de la silla de ruedas.

ES

Para montar la batería:

1. Introducir la llave ① y girarla hacia el símbolo de desbloqueo.
2. En la medida en que sea posible, colocar la batería en su carcasa. Solo existe 1 forma posible de insertar la batería.
3. Girar la llave ① hacia el símbolo de bloqueo.
4. Asegurarse de que la batería esté bien fijada.
5. Quitar la llave ①. (Nunca quitar la llave mientras se conduce la silla de ruedas).

Para retirar la batería:

1. Introducir la llave ①.
2. Girar la llave ① hacia el símbolo de desbloqueo.
3. Extraer con cuidado la batería de su carcasa.

4 Mantenimiento

4.1 Tiempo de mantenimiento

 PRECAUCIÓN Riesgo de lesiones y daños

Únicamente el personal debidamente cualificado puede llevar a cabo las reparaciones o las sustituciones y solo pueden utilizarse piezas de recambio Vermeiren originales.

i La última página de este manual contiene un formulario de registro para que el distribuidor especializado pueda registrar cada mantenimiento.

La frecuencia de los mantenimientos depende de la frecuencia e intensidad de uso. Póngase en contacto con su distribuidor para acordar un horario común para realizar inspecciones, mantenimientos y reparaciones.

Leer las instrucciones de usuario del cargador de batería aplicado sobre su mantenimiento.

Para consultar el manual de mantenimiento, visitar el sitio web de Vermeiren: www.vermeiren.com.

Antes de cada uso

Inspeccionar los siguientes aspectos:

- Todas las piezas: presentes, sin daños ni desgastes.
- Todas las piezas: limpias, véase el § 4.2.2.
- Ruedas, asiento, reposabrazos, reposapiés y reposacabezas (si fuera aplicable): bien fijados.
- Estado de la batería: recargar la batería cuando sea necesario, véase el §3.7.
- Panel de control, batería, módulo de alimentación, motores, cargador de batería, luces y cables pertinentes: sin daño, como alambres deshilachados, rotos o expuestos.
- Estado de las ruedas/los neumáticos, véase el § 4.2.1.
- Estado de las piezas del bastidor: sin deformaciones, inestabilidad, debilidad o conexiones sueltas.
- Asiento, respaldo, almohadillas para los brazos, almohadillas para las pantorrillas y el reposacabezas (si fuera aplicable): sin desgastes excesivos (como abolladuras, daños o grietas).

Ponerse en contacto con el distribuidor especializado para posibles reparaciones o sustitución de piezas.

Cada mes

Aunque se almacene la silla de ruedas durante un periodo de tiempo largo, aún se deben recargar las baterías cada mes. También se puede mantener el cargador de batería conectado a la batería y a la red eléctrica durante este período. Para más información, véase el § 3.7.

Anualmente o más regularmente

La silla de ruedas debe superar una inspección y una sesión de mantenimiento realizados por el distribuidor especializado por lo menos una vez al año, o con mayor frecuencia. La frecuencia mínima de mantenimiento depende del uso y debe, por tanto, acordarse mutuamente con el distribuidor especializado.

Si está almacenada

Asegurarse de que la silla de ruedas se almacena en un entorno seco para evitar el crecimiento de moho o que se dañe la tapicería.

4.2 Instrucciones de mantenimiento

4.2.1 Ruedas y neumáticos

i El funcionamiento debido de los frenos depende del estado de los neumáticos, el cual puede cambiar debido al desgaste o la suciedad (agua, aceite, barro...).

- Mantener las ruedas libres de cables, pelos, arena y fibras.
- Comprobar el perfil de los neumáticos. Si la profundidad del dibujo es inferior a 1 mm, deben sustituirse los neumáticos. Ponerse en contacto con su distribuidor especializado a este respecto.

4.2.2 Limpieza

PRECAUCIÓN

Riesgo de daños por humedad

- Mantener el panel de control limpio y protegerlo del agua y la lluvia.
- No utilizar nunca una manguera o un limpiador a alta presión para limpiar la silla de ruedas.

Limpiar todas las piezas rígidas de la silla de ruedas con un paño húmedo (no empapado). Si fuera necesario, utilizar un jabón suave que sea apto para limpiar superficies barnizadas y sintéticas.

La tapicería puede limpiarse con agua templada y jabón suave. No utilizar productos de limpieza abrasivos.

Mantener las ranuras de ventilación del cargador de batería limpias y libres de acumulaciones de polvo. Soplar el polvo y limpiar la carcasa del cargador de batería con un paño ligeramente húmedo si fuera necesario.

4.2.3 Desinfección

PRECAUCIÓN

Riesgo de daños

La desinfección solo puede llevarla a cabo personal debidamente cualificado. Consulte con su distribuidor especializado.

4.3 Resolución de problemas

Aunque se utilice la silla de ruedas de la manera indicada, también pueden surgir a veces problemas técnicos.

En ese caso, póngase en contacto con su distribuidor especializado.



AVISO

Riesgo de lesiones y daños a la silla de ruedas

- No intentar NUNCA reparar la silla de ruedas por su cuenta.
- Si hay algún problema con el panel de control, debe contactar con su distribuidor especializado.

El distribuidor decidirá si hay que reprogramar el panel.

En caso de avería, el panel de control mostrará un código de fallo, véase el §5.

Los siguientes signos pueden ser indicadores de un problema grave. Se recomienda, por tanto, ponerse en contacto con su distribuidor especializado si nota los siguientes problemas:

- Ruidos extraños.
- Juegos de cables deshilachados/dañados.
- Conectores agrietados o rotos.
- Desgaste desigual de la banda de uno de los neumáticos.

- Movimientos bruscos.
- La silla de ruedas se desvía a un lado;
- Ensamblajes de las ruedas dañados o rotos;
- La silla de ruedas no se enciende (fusible fundido);
- La silla de ruedas está encendida pero no se mueve, véase 3.4.

4.4 Vida útil prevista

La vida útil media de la silla de ruedas es de 5 años. La vida útil aumentará o disminuirá dependiendo de la frecuencia de uso, las circunstancias de conducción y el mantenimiento.

4.5 Reutilizar

Antes de que otra persona utilice la silla de ruedas, desinfectarla, inspeccionarla y hacer que pase por un mantenimiento según las instrucciones en el §4.1 y en el §4.2.

4.6 Fin de vida útil

Al final de la vida útil, deberá desechar la silla de ruedas siguiendo las leyes medioambientales de su localidad. Para transportar materiales reciclables de la silla de ruedas de manera más cómoda, se recomienda que se desmonte primero.

5 Resolución de problemas



AVISO

Riesgo de lesiones y daños al panel de control o a la silla de ruedas

- No intentar NUNCA reparar el panel de control por su cuenta.
- Si hay algún problema con el panel de control, debe contactar con su distribuidor especializado. El distribuidor decidirá si hay que reprogramar el panel.

En caso de un posible problema, se mostrará un código de sistema mediante el parpadeo de los LED del indicador de la batería, véase el §3.3 (2). La siguiente tabla contiene todos los códigos de sistema posibles. Algunos problemas los puede resolver el usuario. Para el resto de problemas resaltados en gris, consultar con un distribuidor especializado al respecto.

Tabla 2: Resolución de problemas

Código	Problema	Significado
1	Batería vacía / mala conexión de la batería	Comprobar las conexiones de las baterías. Si las conexiones son buenas, probar a cargar las baterías.
2	Mala conexión del motor o del encoder izquierdos	Comprobar las conexiones del motor y del encoder izquierdos.
3	Cableado defectuoso en el motor / calado del motor en el lado izquierdo	
4	Mala conexión del motor o del encoder derechos	Comprobar las conexiones del motor y del encoder derechos.
5	Cableado defectuoso en el motor / calado del motor en el lado derecho	
7	Fallo de la palanca de mano	Asegurarse de que la palanca de mano está en la posición central antes de encender el controlador.
7 + S ¹	Fallo de comunicación	Asegurarse de que el cable del módulo de la palanca de mano está bien conectado y no está dañado.
8	Posible fallo del controlador	Asegurarse de que todas las conexiones son seguras.
9	Mala conexión del freno de estacionamiento	Comprobar las conexiones del freno de estacionamiento y del motor. Asegurarse de que todas las conexiones del controlador son seguras.
10	Sobrevoltaje	El sobrevoltaje suele estar causado por una mala conexión de la batería. Comprobar las conexiones de la batería.

¹S = LED indicadores de velocidad de parpadeo.

6 Especificaciones técnicas

Los datos técnicos expuestos a continuación son solo válidos para esta silla de ruedas, con configuración estándar y en condiciones ambientales óptimas. Tenga en cuenta estos datos durante la utilización. Los valores aquí expuestos dejarán de ser aplicables si la silla de ruedas ha sido modificada, se ha dañado, o sufre de un desgaste intenso. Tener siempre en cuenta que la conducción se verá afectada por la temperatura ambiente, la humedad, las pendientes (conducción cuesta arriba/abajo), el tipo de superficie y el estado de la batería.

Tabla 1: Especificaciones técnicas

Marca	Vermeiren
Tipo	Silla de ruedas eléctrica, Clase A
Modelo	Verso
Peso máximo del ocupante	130 kg

Descripción	Dimensiones
Longitud total con reposapiés	1078 mm (en la profundidad del asiento más pequeña)
Anchura total (en función del ancho del asiento)	610 mm 630 mm 650 mm 670 mm
Altura total	937 mm – 1002 mm
Peso total	31,3 kg
Peso de la parte más pesada	Bastidor trasero: 16,2 kg
Consumo eléctrico *	12,8 Ah: 15 km 17,5 Ah: 21 km
Pendiente nominal	3°
Subida de obstáculos	15 mm
Velocidad máxima	6 km/h
Distancia de frenado máx. desde la velocidad máx.	1 m
Ángulo plano del asiento	5°
Profundidad efectiva del asiento	420 - 480 mm
Ancho efectivo del asiento	440 mm 460 mm 480 mm 500 mm
Altura de la superficie del asiento desde el borde delantero	521 mm
Ángulo del respaldo	5°
Altura del respaldo	400 – 420 – 440 – 460 – 480 mm
Distancia entre el reposapiés y el asiento	370 – 500 mm
Ángulo de la pierna a la superficie del asiento	105°
Distancia entre el reposabrazos y el asiento	150 – 210 mm
Ubicación frontal de estructura de reposabrazos	322,5 mm – 370 mm
Radio de giro mínimo	1145 mm



ES

Marca	Vermeiren
Tipo	Silla de ruedas eléctrica, Clase A
Modelo	Verso
Peso máximo del ocupante	130 kg

Distancia al suelo	61 mm
Diámetro de las ruedas traseras	12"
Tipo de ruedas traseras **	Neumáticos de poliuretano
Diámetro de las ruedas delanteras	200x50
Tipo de ruedas delanteras **	Neumáticos de poliuretano
Descripción eléctrica	
Batería	12,8 Ah 17,5 Ah
Motores de accionamiento	2 x 250W
Fusible	20 A
Pruebas de resistencias de conformidad con	ISO 7176-8
Pruebas de alimentación eléctrica y sistema de control de conformidad con	ISO 7176-14
Inflamabilidad de la tapicería de conformidad con	EN1021-2:2006
Conformidad EMC	ISO 7176-21
Grado de protección	IPX4
Nivel de ruido	< 65 dB (A)
Temperatura de almacenamiento y uso	+5 °C ~ +41 °C
Temperatura de funcionamiento de los componentes electrónicos	-10 °C ~ +40 °C
Humedad de almacenamiento y uso	30% ~ 70%

Nos reservamos el derecho a introducir cambios técnicos. Tolerancia dimensional ± 15 mm / 1,5 kg / 1,5°.

*** La distancia de conducción teórica se verá reducida si la silla de ruedas se usa frecuentemente en cuestas, terrenos accidentados o para salvar bordillos.**

****Debido a que se pueden usar diferentes neumáticos, tener en cuenta la presión operativa correcta de los neumáticos que se utilicen. Para otros diámetros de neumáticos, consultar con el distribuidor especializado.**

Spis treści

Spis treści	1
Wstęp	2
1 Państwa produkt	3
1.1 Opcje	3
2 Przed użyciem	4
2.1 Przewidziane zastosowanie	4
2.2 Ogólne instrukcje bezpieczeństwa	4
2.3 Symbole na wózku inwalidzkim	5
2.4 Transport	5
2.5 Montaż/Demontaż	6
2.6 Pierwsze użycie i przechowywanie	9
3 Używanie wózka	10
3.1 Pierwsza jazda	10
3.2 Jazda na powietrzu	10
3.3 Konsola kierownicza	11
3.4 Hamulec i dźwignia wolnego koła	12
3.5 Przesiadanie się na wózek/z wózka	13
3.6 Regulacje elementów mających wpływ na wygodę użytkownika	14
3.7 Stan akumulatora i ładowanie	15
3.8 Włączanie / wyłączanie urządzenia elektrycznego	17
3.9 Montaż/demontaż akumulatora	17
4 Konserwacja	18
4.1 Czas konserwacji	18
4.2 Instrukcje konserwacji	18
4.3 Diagnozowanie i rozwiązywanie problemów	19
4.4 Przewidywany okres użytkowania	19
4.5 Ponowne użycie	20
4.6 Koniec użytkowania	20
5 Diagnozowanie i rozwiązywanie problemów	21
6 Parametry techniczne	22

Wstęp

Gratulacje! Stali się Państwo posiadaczem wózka inwalidzkiego Vermeiren!

Ten wózek inwalidzki został wykonany przez wykwalifikowany i zaangażowany personel. Zaprojektowano i wyprodukowano go zgodnie z wysokimi standardami jakości, jakich przestrzega Vermeiren.

Dziękujemy za zaufanie firmie Vermeiren i jej produktom. Niniejsza instrukcja pomoże właścicielowi w eksploatacji wózka inwalidzkiego i korzystaniu z jego opcji. Prosimy o uważne przeczytanie instrukcji obsługi. Pozwoli ona na zapoznanie się z działaniem, możliwościami i ograniczeniami wózka.

W razie pytań, na które odpowiedzi nie ma w instrukcji, prosimy o kontakt z wyspecjalizowanym sprzedawcą. Sprzedawca chętnie służy pomocą w tym zakresie.

Ważna uwaga

Aby zapewnić bezpieczeństwo i wydłużyć okres użytkowania produktu, prosimy o dbanie o niego oraz regularne dokonywanie przeglądów i serwisowanie.

Instrukcja obejmuje najnowsze rozwiązania zastosowane w produkcji. Firma Vermeiren ma prawo do wprowadzania zmian w produktach tego typu bez obowiązku adaptowania lub wymiany podobnych, poprzednio dostarczonych produktów.

Ilustracje stanowią dodatkowe objaśnienia do niniejszej instrukcji. Szczegóły przedstawionego produktu mogą się różnić od Państwa produktu.

Dostępne informacje

W naszej witrynie internetowej <http://www.vermeiren.com/> zawsze znajduje się najnowsza wersja następujących informacji. Prosimy regularnie odwiedzać witrynę, ponieważ możemy w niej zamieszczać zaktualizowane informacje.

Osoby z zaburzeniami wzroku mogą pobrać elektroniczną wersję niniejszej instrukcji i odsłuchać ją przy użyciu oprogramowania zamieniającego tekst na mowę.



Niniejsza instrukcja użytkownika
Dla użytkownika i wyspecjalizowanego sprzedawcy



Instrukcje instalacji (Instrukcje dotyczące dokładnej regulacji, ustawień, montażu i demontażu)
Dla wyspecjalizowanego sprzedawcy



Instrukcja serwisowa dla wózków inwalidzkich
Dla wyspecjalizowanego sprzedawcy



Deklaracja zgodności WE

1 Państwa produkt

PL



- | | |
|------------------------|---|
| 1. Oparcie | 7. Koła przednie |
| 2. Konsola kierownicza | 8. Koła tylne / koła napędowe z silnikami |
| 3. Podłokietnik | 9. Akumulator |
| 4. Siedzisko | 10. Krzyżak |
| 5. Podnóżek | 11. Tabliczka identyfikacyjna |
| 6. Podpórka pod stopy | |

1.1 Opcje

- Informacji w tej kwestii udzieli wyspecjalizowany sprzedawca. Sprzedawca chętnie służy pomocą.

2 Przed użyciem

2.1 Przewidziane zastosowanie

W niniejszej sekcji przedstawiono krótki opis przewidzianego zastosowania wózka inwalidzkiego. W pozostałych sekcjach instrukcje zostały opatrzone istotnymi ostrzeżeniami. W ten sposób chcemy zwrócić uwagę użytkowników na możliwość nieprawidłowej eksploatacji produktu.

- Niniejszy wózek inwalidzki jest przeznaczony do użytku w pomieszczeniach i na zewnątrz.
- Niniejszy wózek inwalidzki jest zaprojektowany i produkowany w celu transportu wyłącznie jednej (1) osoby ważącej maksymalnie 130 kg. Nie jest przeznaczony do transportu towarów, przedmiotów ani innego wykorzystania niż wcześniej opisane.
- Ten wózek inwalidzki może być obsługiwany przez użytkownika siedzącego na wózku inwalidzkim lub może być popychany przez opiekuna. **NIE WOLNO** używać wózka inwalidzkiego bez pomocy asystenta, jeśli użytkownik cierpi na zaburzenia fizyczne lub psychiczne, które mogłyby narazić użytkownika lub inne osoby na niebezpieczeństwo podczas jazdy na wózku. Z wymienionych powodów należy przed rozpoczęciem użytkowania wózka zasięgnąć porady lekarza i upewnić się, że wyspecjalizowany sprzedawca zapoznał się z jego poradą.
- Używać wyłącznie akcesoriów i części zapasowych zatwierdzonych przez Vermeiren.
- Należy się zapoznać ze wszystkimi danymi technicznymi i ograniczeniami wózka, które wskazano w rozdziale 6.
- Gwarancja na produkt jest udzielona przy założeniu normalnego użytkowania i konserwacji, opisanych w niniejszej instrukcji. Uszkodzenie produktu spowodowane nieprawidłową eksploatacją lub brakiem konserwacji spowoduje unieważnienie gwarancji.

2.2 Ogólne instrukcje bezpieczeństwa

 **PRZESTROGA** Ryzyko obrażeń i/lub uszkodzeń

Należy przeczytać zalecenia podane w niniejszej instrukcji i postępować zgodnie z nimi. Niestosowanie się do tych zaleceń może spowodować uraz lub uszkodzenie wózka inwalidzkiego.

Podczas użytkowania należy pamiętać o ostrzeżeniach ogólnych:

- Nie używać wózka, jeśli użytkownik jest pod wpływem alkoholu, leków i innych substancji, które mogą mieć wpływ na zdolność jazdy.
- Należy pamiętać, że niektóre części wózka mogą stać się bardzo gorące lub zimne ze względu na temperaturę otoczenia, promieniowanie słoneczne, urządzenia grzewcze itp. lub rozgrzać się od silnika podczas jazdy. Należy zachować ostrożność podczas ich dotykania. Gdy jest zimno, należy nosić odzież ochronną. Po jeździe poczekać, aż wózek/silnik ostygnie.
- Przed włączeniem wózka zwrócić uwagę na sytuację/otoczenie, w których użytkownik się znajduje. Przed ruszeniem dobrać prędkość do warunków jazdy. Zalecamy, aby w pomieszczeniach jeździć z najniższą prędkością. W przypadku jazdy na zewnątrz można dostosować prędkość do takiej, przy której użytkownik czuje się wygodnie i bezpiecznie.
- **NALEŻY ZAWSZE** pamiętać, że wózek może się nagle zatrzymać, gdy rozładuje się akumulator lub zadziała zabezpieczenie chroniące wózek przed dalszymi uszkodzeniami. Należy też sprawdzić możliwe przyczyny opisane w § 4.3. Należy zapinać pas bezpieczeństwa, aby zapobiegać obrażeniom.
- Wózek został przetestowany pod kątem kompatybilności elektromagnetycznej. Zgodność z normą została potwierdzona, patrz rozdział 6. Niemniej jednak, źródła pól elektromagnetycznych, takie jak telefony komórkowe, agregaty prądotwórcze i źródła energii wielkiej mocy mogą zakłócić działanie mechanizmów jezdnych wózka. Z drugiej strony, układy elektroniczne wózka mogą zakłócić działanie innych urządzeń elektronicznych, takich

jak systemy alarmowe w sklepach lub drzwi automatyczne. Dlatego zalecamy, aby regularnie kontrolować wózek pod kątem uszkodzeń i zużycia, ponieważ mogą one powodować większe zakłócenia (patrz też rozdział 4).

- Należy jeździć tylko po płaskich powierzchniach, na których oba koła napędowe dotykają podłoża, a styk wózka z podłożem umożliwia bezpieczną jazdę i obsługę.
- Bez konsultacji z producentem wózka nie wolno w żaden sposób modyfikować ani wymieniać punktów mocowania wózka, części i elementów konstrukcyjnych i ramy.
- Zwracać uwagę, aby ręce, ubrania, pasy, klamry ani biżuteria nie zostały podczas eksploatacji pochwycone przez koła ani inne ruchome części.

Uwaga: wózek inwalidzki może uruchamiać niektóre systemy przeciwkradzieżowe, zależnie od zastosowanych ustawień. Może to spowodować wywołanie alarmu sklepowego.

Każdy poważny incydent [MDR (UE) 2017/745 §2 (65)], który miał miejsce w związku z wyrobem, należy zgłosić producentowi oraz właściwemu organowi państwa członkowskiego, w którym użytkownik i/lub pacjent ma siedzibę.

2.3 Symbole na wózku inwalidzkim

Do wózka inwalidzkiego mają zastosowanie symbole z następującej listy. Symbole można znaleźć w odpowiednich normach ISO (ISO 7000, ISO 7001 oraz IEC 417).



Maksymalna masa użytkownika w kg



Wyłącznie do użytku w pomieszczeniach (dotyczy ładowarki akumulatora)



Maksymalne bezpieczne nachylenie terenu w ° (stopniach).



Prędkość maksymalna



Oznaczenie typu



Ryzyko przycięcia

2.4 Transport

PRZESTROGA

Ryzyko uszkodzenia

Należy zabezpieczyć wózek inwalidzki przed uszkodzeniami podczas transportu.

2.4.1 Przesuwanie na bok

Użyć konsoli kierowniczej, aby przejechać wózkiem w odpowiednie miejsce.

W przeciwnym razie przestawić wózek w tryb wolnego koła (patrz §3.4) i przepchnąć go za pomocą pałaka do pchania.

2.4.2 Transport drogą lotniczą

Podczas transportu wózka drogą lotniczą należy zablokować i odłączyć akumulator, zanim wózek zostanie przekazany personelowi lotniska (patrz §3.9 i §3.8). Akumulator może pozostać w wózku. Skonsultować się z linią lotniczą, aby zasięgnąć informacji na temat właściwych procedur postępowania.



2.4.3 Transport w pojeździe jako bagaż

Najlepszym sposobem transportu elektrycznego wózka inwalidzkiego w samochodzie jest wjechać nim do środka za pomocą podjazdu. W przypadku braku doświadczenia we wjeżdżaniu za pomocą podjazdu, można włączyć tryb położenia neutralnego i wepchnąć wózek do samochodu za pomocą podjazdu. W razie potrzeby zdemontować wózek inwalidzki.

1. Użytkownik wózka powinien przesiąść się na siedzenie pojazdu, patrz §3.5.
2. Usunąć wszystkie ruchome części przed transportem (podnóżki, podłokietniki itp.).
3. Części ruchome można bezpiecznie przechowywać za siedzeniem pasażera lub w bagażniku.
4. Wjechać lub wprowadzić elektryczny wózek inwalidzki do samochodu za pomocą podjazdów lub skorzystać z pomocy 2 osób, aby wstawić wózek inwalidzki do samochodu, wykorzystując nieruchome części ramy.
5. Przymocować mocno części ramy do pojazdu.
6. Załączyć tryb jazdy wózka (włączyć hamulce postojowe) i sprawdzić, czy konsola kierownicza jest wyłączona.

2.5 Montaż/Demontaż

 PRZESTROGA Ryzyko obrażeń

- Upewnić się, że podczas (de)montażu palce, ubrania, kłamry itp. nie zostaną pochwycone i nie zakleszczą się między częściami.

Sprzedawca dostarcza wózek w pełni zmontowany i wyjaśnia różne elementy obsługi oraz ich zastosowanie. Zapewniamy również dalsze, szczegółowe wyjaśnienia dotyczące różnych części do celów transportowych.

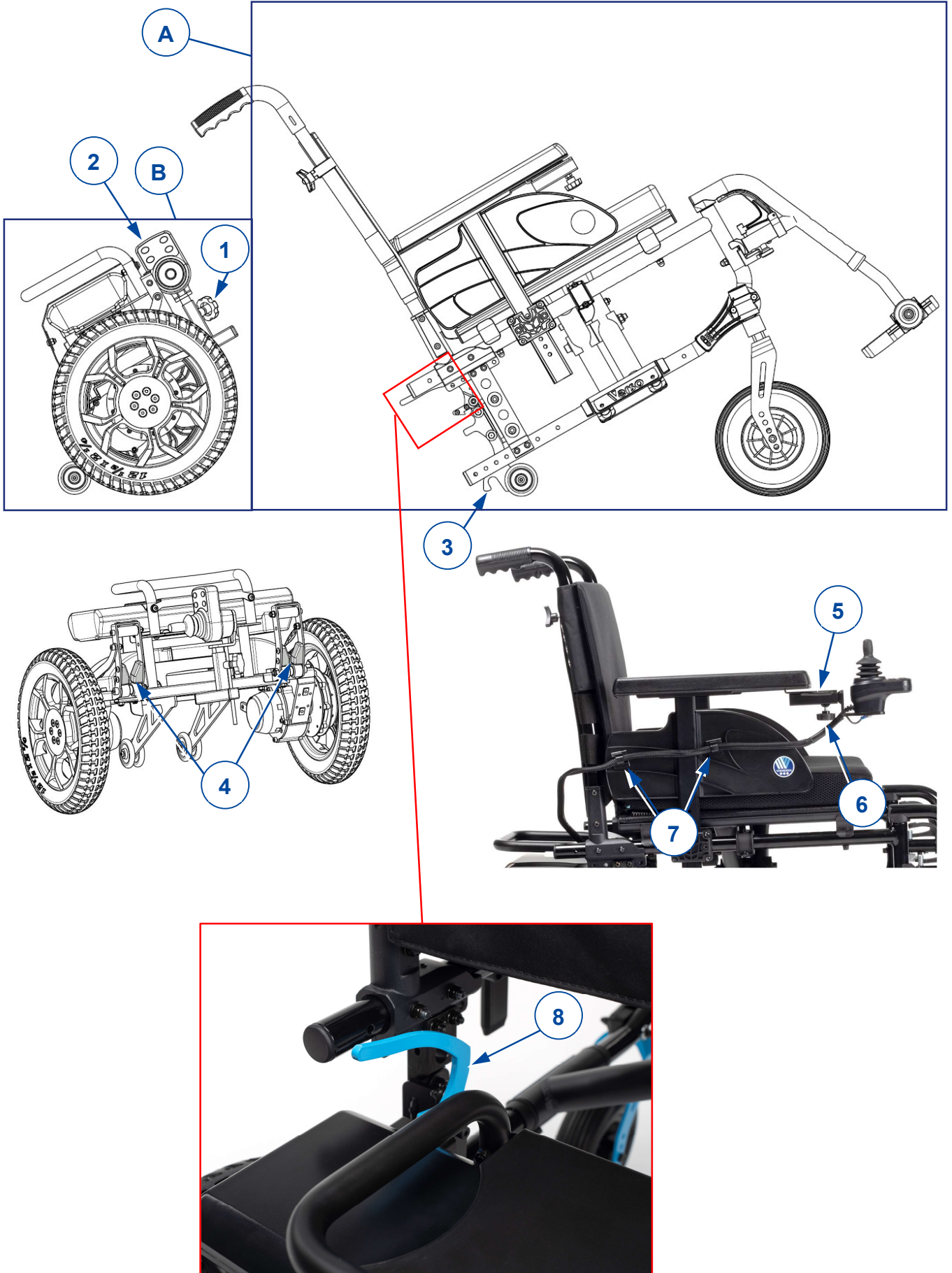
Aby zmontować elektryczny wózek inwalidzki:

1. Rozłożyć ramę siedziska (A).
2. Umieścić ramę siedziska na kołach przednich i wsporczych kołach tylnych.
3. Moduł napędowy (B) umieścić za ramą siedziska.
4. Odkręcić pokrętko (1) i zdjąć konsolę kierowniczą (2) z modułu napędowego. Konsolę umieścić w tymczasowym bezpiecznym miejscu, np. zawiesić ją na oparciu.
5. Umieścić haki ramy siedziska (3) na drążkach (4) modułu napędowego.
6. Popchnąć ramę siedziska w dół, aż rozlegnie się kliknięcie, a rama będzie prawidłowo przymocowana do modułu napędowego, z lewej i z prawej strony. Sprawdź, czy haki (8) są zablokowane w pozycji dolnej.
Jeśli rama siedziska nie zatrzaśnie się automatycznie, umieść ramę na module napędowym i ręcznie popchnij zaczepy (8) w dół.
7. Zamontować podłokietniki (§3.6.2).
8. Zamontować podnóżki (§3.6.1).
9. Wsunąć konsolę kierowniczą w podporę na podłokietniku (5). Dokręcić pokrętko (6) i przymocować kabel zaciskami (7).

Aby rozmontować elektryczny wózek inwalidzki:

1. Wyjąć kabel z zatrzasków na podłokietniku. Odkręcić pokrętko (6) na podporze konsoli kierowniczej i wysunąć konsolę. Umieścić konsolę w tymczasowym bezpiecznym miejscu.
2. Pociągnąć w górę haki (8) po obu stronach ramy dolnej. Moduł napędowy jest teraz oddzielony od ramy, odchyli się do tyłu na koła wsporcze.
3. Podnieść ramę siedziska i zdjąć ją z modułu napędowego.
4. Zdjąć podłokietniki.
5. Zdjąć podnóżki.
6. Złożyć ramę siedziska.
7. Umieścić konsolę kierowniczą (2) na przeznaczonej do tego podporze na module napędowym i dokręcić pokrętko (1).

PL



2.6 Pierwsze użycie i przechowywanie

 PRZESTROGA Ryzyko uszkodzenia akumulatora

- Nie wolno dopuszczać do całkowitego rozładowania się akumulatora.
- Nie przerywać cyklu ładowania. Ładownicę odłączyć dopiero wtedy, gdy akumulator będzie w pełni naładowany.
- Upewnić się, że wózek jest przechowywany w suchym stanie, aby zapobiec wzrostowi pleśni i uszkodzeniu tapicerki.
- Szczegóły techniczne na temat przechowywania: patrz rozdział 6.

Przed rozpoczęciem użytkowania wózka inwalidzkiego upewnić się, że akumulator jest w pełni naładowany. Skonsultować się ze sprzedawcą, który poinformuje, czy akumulator został już naładowany. Aby naładować, wykonać instrukcje ładowania w §3.7.

3 Używanie wózka



OSTRZEŻENIE

Ryzyko obrażeń

- Najpierw należy przeczytać poprzednie rozdziały i zaznajomić się z przewidzianym zastosowaniem produktu. NIE używać wózka, dopóki wszystkie instrukcje nie zostaną przeczytane i zrozumiane.
- Należy też przeczytać instrukcje konsoli kierowniczej i instrukcję obsługi ładowarki!
- W razie wątpliwości i pytań prosimy o kontakt z lokalnym wyspecjalizowanym sprzedawcą, opiekunem lub doradcą technicznym, który udzieli pomocy.

3.1 Pierwsza jazda



PRZESTROGA

Ryzyko obrażeń i uszkodzeń

- Zawsze pamiętać o zasięgu wychylenia podnóżka i konsoli kierowniczej, aby nie potrącić i poranić ludzi ani nie uszkodzić innych obiektów.
- Przed rozpoczęciem jazdy zawsze odłączyć ładowarkę od wózka.

- i**
- Użytkownik powinien się upewnić, że potrafi obsługiwać wózek, zanim zacznie jeździć w zatłoczonych i potencjalnie niebezpiecznych miejscach. Należy najpierw poćwiczyć na szerokiej otwartej przestrzeni, gdzie jest mało osób postronnych.
 - Należy sprawdzić, jaki wpływ na zachowanie się wózka ma przesunięcie środka ciężkości, np. na podjazdach i zjazdach, na podłożach nachylonych w bok i podczas pokonywania przeszkód. Należy zadbać o pomoc asystenta.
 - Podczas używania powierzchnia konsoli lekko się nagrzewa.
 - Podczas jazdy do tyłu prędkość jest mniejsza niż przy jeździe do przodu.

1. Upewnić się, że:
 - wózek stoi na płaskiej powierzchni;
 - akumulator jest całkowicie naładowany, patrz § 3.7;
 - silnik jest sprzęgnięty, patrz § 3.4;
 - wózek jest wyregulowany odpowiednio do potrzeb użytkownika i zapewnia mu wygodę, patrz §3.6;
 - użytkownik siedzi w prawidłowej pozycji, patrz § 3.5.
2. Wykonać czynności zamieszczone w instrukcji konsoli kierowniczej.
3. Włączyć wózek.
4. Obrócić regulator prędkości do najwolniejszego ustawienia.
5. Przećwiczyć jazdę i wyregulować elementy wózka.
6. Gdy użytkownik poczuje się pewniej, może powtórzyć próby jazdy z wyższą prędkością.
7. Teraz można spróbować skręcać, jadąc do przodu i do tyłu. Powtórzyć kilka razy.
8. Po zakończeniu jazdy upewnić się, że wózek stoi stabilnie.
9. Wyłączyć wózek.

3.2 Jazda na powietrzu



OSTRZEŻENIE

Ryzyko wypadku — Dostosować sposób prowadzenia i prędkość.

- Uwzględnić lokalne przepisy ruchu drogowego; w każdym kraju mogą być różne. Dotyczy to jazdy po chodnikach, drogach gruntowych i utwardzonych.
- Nie jeździć po drogach, na których jest duże natężenie ruchu.
- Uwzględnić warunki pogodowe. Unikać jazdy w warunkach wilgotności, upału, śniegu, gołoledzi, temperatur poniżej zera; patrz parametry techniczne w rozdziale 6.
- Użytkownik powinien się upewnić, że jest dobrze widoczny, także w świetle dziennym. Powinien nosić odblaskową odzież i/lub we własnym zakresie zainstalować światła z przodu i z tyłu wózka.

- Zwracać uwagę na innych użytkowników dróg, dla których wózek może być przeszkodą. Szczególną uwagę należy zwracać podczas skrętów i cofania. Jeśli użytkownik nie ma doświadczenia w jeździe do tyłu, powinien przed rozpoczęciem jazdy poćwiczyć na otwartej przestrzeni. Sygnalizować zamiar skrętu przed skręceniem.
- W wąskich przejazdach jechać prosto, aby wózek się nie zablokował.
- Pamiętać o drodze hamowania. Warto pamiętać, że droga hamowania zależy od prędkości, nawierzchni, pogody, nachylenia terenu i masy użytkownika.

3.2.1 Pokonywanie zboczy, krawężników, przeszkód i podjazdów

**PRZESTROGA**

Ryzyko obrażeń w wyniku niespodziewanych manewrów

- Należy zapinać pas bezpieczeństwa, aby bezpiecznie siedzieć na wózku.
 - Uważać, jeśli droga jest piaszczysta, ma nawierzchnię z miękkiego gruntu, są w niej dziury lub szczeliny. Wszystko to może spowodować ugrzęźnięcie kół i/lub zmniejszenie trakcji kół napędowych.
 - NIE jeździć po zboczach, przeszkodach, stopniach i krawężnikach, których rozmiar jest większy niż opisany w parametrach technicznych w rozdziale 6.
 - Krawężniki należy zawsze pokonywać od przodu.
 - Gdy wózek znajduje się na zboczu, nie przestawiać go w tryb wolnego koła. Wózek może zacząć jechać, powodując obrażenia ciała użytkownika i osób postronnych.
 - Nie używać wózka na schodach zwykłych i ruchomych.
 - Używać wyłącznie podjazdów zaakceptowanych przez Vermeiren. Nie przekraczać ich maksymalnego obciążenia.
 - Aby bezpiecznie pokonywać przeszkody i zbocza, ustawić siedzisko wózka możliwie pionowo.
- i** W przypadku zatrzymania się na zboczu, hamulec załączy się automatycznie, aby zapobiec jeździe wózka do przodu lub do tyłu.

PRZESTROGA

Ryzyko uszkodzenia

- Wózek elektryczny należy zawsze parkować na poziomych płaskich powierzchniach, w miejscach, które są łatwo dostępne.
- Jeśli jest to konieczne, należy się lekko rozpędzić przed najechaniem na wzniesienie, przeszkodę, krawężnik lub podjazd. Unikać sytuacji, w której użytkownik lub wózek spotyka się z silnym odbiciem.
- Upewnić się, że wózek nie jest wychylony tak, aby dotykał podłoża lub podjazdu.
- Należy pamiętać, że droga hamowania na zboczach może być znacznie dłuższa niż na równym podłożu.

Procedura

- Rozpocząć jazdę zgodnie z instrukcjami zawartymi w § 3.1, krok 1.
- Aby wjeżdżać i zjeżdżać wózkiem po schodach/stopniach, używać sprzętu do podnoszenia lub podjazdu. Jeśli nie są dostępne, wózek mogą podnieść ręcznie co najmniej dwie osoby, trzymające mocno ramę wózka obiema rękami. Nie chwytać wózka za oparcie, podpórki pod stopy, podłokietniki ani koła.
- Pokonywanie przeszkód i nachylonych odcinków:
 1. Ustawić wózek w najbardziej stabilnym położeniu, patrz § 3.5.
 2. Jechać możliwie najwolniej, aby pokonać przeszkodę lub nachylony odcinek.

3.3 Konsola kierownicza

- i** Ustawić joystick w położeniu neutralnym (środkowym) przed naciśnięciem przycisku wł./wył. W przeciwnym razie układy elektroniczne zostaną zablokowane. Aby anulować tę blokadę, wyłączyć konsolę kierowniczą i włączyć ją jeszcze raz.

1. Przycisk wł./wył.
2. Wskaźnik ładowania akumulatora
3. Wskaźnik prędkości
4. Przycisk klaksonu
5. Przycisk zwalniania
6. Przycisk przyspieszania
7. Joystick



3.3.1 Zabezpieczenia techniczne

Ruchami wózka sterują układy elektroniczne, aby zwiększyć bezpieczeństwo użytkownika i zapobiec uszkodzeniu wózka. Może to spowodować zmniejszenie prędkości lub całkowite zatrzymanie.

- Wózek jest wyposażony w system automatycznego wyłączenia zasilania, aby zapobiec przypadkowemu rozładowaniu się akumulatora. System automatycznie wyłącza konsolę kierowniczą, gdy przez pewien czas nie jest używana. W takim przypadku wystarczy ponownie włączyć konsolę.
- **PRZED WŁĄCZENIEM** wózka upewnić się, że dźwignia wolnego koła jest w pozycji hamowania. Hamulce elektromagnetyczne **NIE** działają, gdy wózek jest w trybie wolnego koła. Jest to wskazane na konsoli kierowniczej. Jazda jest wówczas niemożliwa.

3.3.2 Jazda

1. Nacisnąć przycisk WŁ./WYŁ. (1), aby włączyć wózek.
2. Gdy zapalą się kontrolki wskaźnika naładowania akumulatora (2) i wskaźnika prędkości (3), zasilanie wózka jest załączone i wózek jest gotowy do jazdy.
3. Sprawdzić wskaźnik stanu akumulatora. Naładować akumulator w razie potrzeby (patrz §3.7).
4. Dostosowanie szybkości jazdy: zmniejszyć szybkość za pomocą przycisku zwalniania (5) lub zwiększyć szybkość za pomocą przycisku przyspieszania (6).
5. Rozpocząć jazdę wózkiem, powoli przechylając joystick (7) do przodu/do tyłu.
6. Im dalej odchyli się joystick od środka, tym szybciej będzie jechał wózek.
7. Aby skręcić w lewo lub w prawo, przechylić joystick w lewą lub prawą stronę.
8. Aby zahamować, ustawić joystick w położeniu neutralnym.
9. Nacisnąć przycisk klaksonu (4), aby w razie potrzeby ostrzec innych użytkowników drogi.
10. Po dojechaniu na miejsce sprawdzić stan akumulatora i nacisnąć przycisk WŁ./WYŁ, aby wyłączyć wózek.
11. W razie potrzeby naładować akumulator.

3.4 Hamulec i dźwignia wolnego koła

 **PRZESTROGA** Ryzyko obrażeń i uszkodzeń

- Dźwignię wolnego koła można przestawiać tylko, gdy wózek jest **WYŁĄCZONY**. Dźwignię wolnego koła powinien obsługiwać asystent. **NIGDY** nie obsługiwać dźwigni, siedząc na wózku.
- Nie używać trybu wolnego koła na zboczach i nachylonych odcinkach.

i **PRZED WŁĄCZENIEM** wózka upewnić się, że dźwignia wolnego koła jest w pozycji hamowania. Hamulce elektromagnetyczne **NIE** działają, gdy wózek jest w trybie wolnego koła. Jest to wskazane na konsoli kierowniczej. Jazda jest wówczas niemożliwa.

Wózek jest wyposażony w hamulce elektromagnetyczne. Działanie hamulców zależy od położenia dźwigni wolnego koła (1).

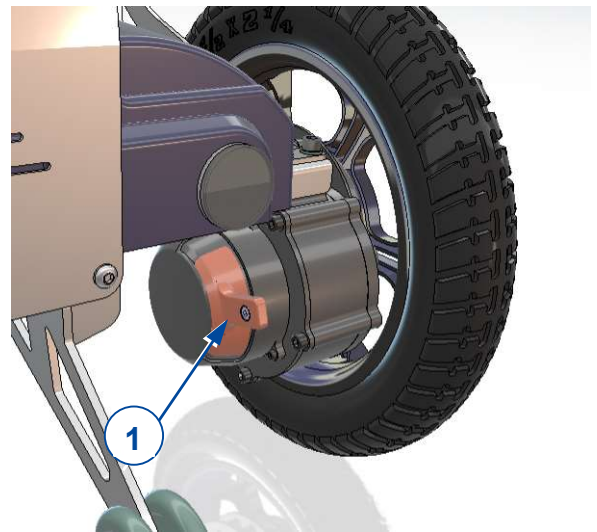
Hamulce elektromagnetyczne działają automatycznie **wyłącznie wtedy, gdy** dźwignia wolnego koła (1) jest w pozycji hamowania. W takiej sytuacji hamulce zaczynają hamować, gdy:

- wózek jest WYŁĄCZONY;
- wózek jest WŁĄCZONY, a joystick jest puszczony.

Puszczenie joysticka powoduje, że wózek łagodnie się zatrzymuje i aktywuje hamulce.

Obsługa dźwigni wolnego koła:

- Obrócić dźwignie W GÓRĘ, aby przestawić wózek w tryb wolnego koła. Silnik jest teraz rozłączony. Wózek można przestawić ręcznie.
- Obrócić dźwignie W DÓŁ, aby podłączyć silnik do napędu. Należy to zrobić przed uruchomieniem wózka.



PL

3.5 Przesiadanie się na wózek/z wózka

 PRZESTROGA Ryzyko obrażeń i uszkodzeń

- Jeśli użytkownik nie może się bezpiecznie przesiąść, powinien poprosić o pomoc.
- Podczas przesiadania się na wózek/z wózka nie należy stać na podpórkach pod stopy.

Przesiadanie się

1. Umieścić wózek inwalidzki jak najbliżej siebie, siedząc na krześle, tapczanie, fotelu lub łóżku.
2. Załączyć hamulce, obracając dźwignię wolnego koła do położenia hamowania, patrz § 3.4.
3. Złożyć podpórki pod stopy w górę, aby na nich nie stanąć.
4. W razie konieczności wyjąć jeden z podłokietników, aby zrobić miejsce, patrz § 3.6.2.
5. Przesiąść się na wózek/z wózka, używając siły rąk, sprzętu do podnoszenia lub korzystając z pomocy asystenta (asystentów).

Siedzenie na wózku

1. Usiąść na siedzisku tak, aby dolna część pleców opierała się o oparcie.
2. Obrócić podpórki pod stopy w dół i postawić na nich stopy.
3. Włożyć z powrotem podłokietnik, jeśli został wyjęty.
4. Upewnić się, że uda są położone poziomo, a stopy spoczywają wygodnie. Ustawić w razie potrzeby.
5. Upewnić się, że ramiona są zgięte i spoczywają wygodnie na poduszkach podłokietników. Ustawić w razie potrzeby.

Dopasowywanie do stabilnej pozycji

Dla celów transportu i pokonywania przeszkód wózek należy wyregulować tak, aby uzyskać jego maksymalną stabilność:

- Oparcie pionowo
- Złożona podpórka pod stopy

3.6 Regulacje elementów mających wpływ na wygodę użytkownika



PRZESTROGA

Ryzyko obrażeń i uszkodzeń

- Następujące regulacje elementów mających wpływ na wygodę użytkownika może przeprowadzać asystent lub pomocnik. Wszystkie inne regulacje wykonuje nasz wyspecjalizowany sprzedawca, postępując zgodnie z instrukcją instalacji, patrz wstęp.
- Upewnić się, że podczas regulacji palce, ubrania, klamry itp. nie zostaną pochwycone i nie zakleszczą się między częściami.

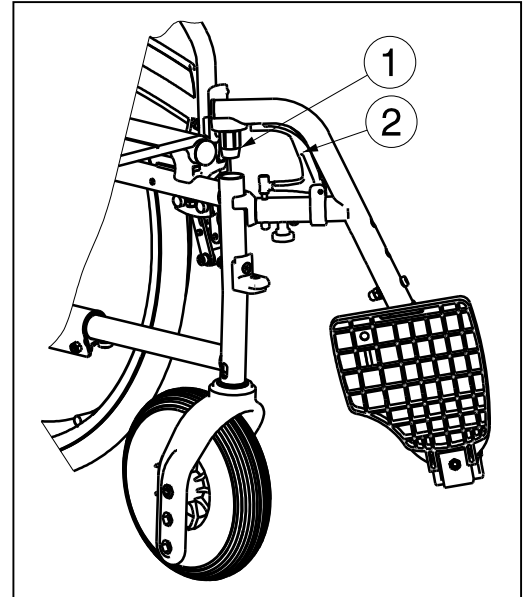
3.6.1 Montaż lub demontaż podnóżków

Montaż podnóżków przeprowadza się następująco:

- Trzymając podnóżek odchylony w bok na zewnątrz ramy wózka, zamontować końcówkę rury ① w ramie.
- Obrócić podnóżek do środka, aż zablokuje się w miejscu.
- Obrócić podpórkę pod stopę w dół.

Aby zdjąć podnóżki:

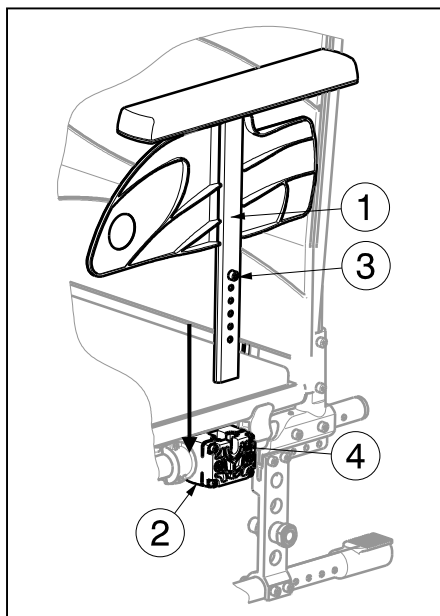
- Pociągnąć za dźwignię ②.
- Odchylić podnóżek na zewnątrz wózka, aż wyjdzie z prowadnicy.
- Wyciągnąć podnóżek z końcówki rury ①.



3.6.2 Montaż i zdejmowanie podłokietników

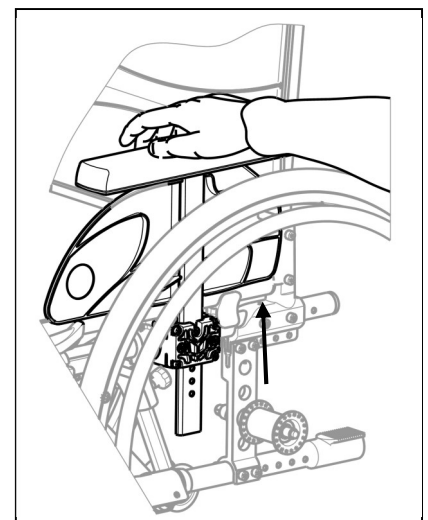
Wykonać poniższe instrukcje, aby zamontować podłokietniki wózka.

- Włożyć podłokietnik ① w podporę podłokietnika ②, aż śruba ③ wpasuje się w tuleję ④.
- Upewnić się, że podłokietnik ① jest prawidłowo założony.



Aby wyjąć podłokietnik:

- Chwycić poduszkę podłokietnika i delikatnie wyciągnąć podłokietnik z podpory.



3.6.3 Wysokość oparcia

Wysokość oparcia można wyregulować w 5 pozycjach.

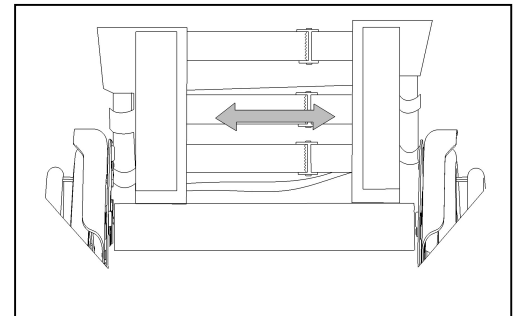
1. Wykręcić pokrętkę (1).
2. Przesunąć tapicerkę oparcia w górę/w dół na żądaną wysokość. Upewnić się, że otwór na pokrętkę w rurze ramy jest wyrównany względem jednego z otworów w tapicerce.
3. Włożyć z powrotem i dokręcić pokrętkę.



3.6.4 Podpora oparcia

Oparcie wózka inwalidzkiego ma układ zawieszenia z regulowanymi paskami z rzepami do regulacji elastyczności oparcia.

1. Odciągnąć poduszkę oparcia od pasków z rzepami oparcia.
2. Poluzować paski na rzepy.
3. Pociągnąć odpowiedni pasek w żądane położenie. Naprężenie poszczególnych pasków można zmieniać, a żądane podparcie pleców ustawić.
4. Umieścić poduszkę oparcia ponownie na oparciu, rozpoczynając od przodu i kończąc z tyłu.
5. Zabezpieczyć połączenia pasków z rzepami, dociskając poduszkę do oparcia ręką.
6. Upewnić się, że wszystkie paski zostały zabezpieczone paskami z rzepami.



3.6.5 Wysokość rączki do pchania

Rączki do pchania można ustawić na odcinku 60 mm:

1. Odkręcić pokrętkę (1).
2. Przesunąć rączkę w górę/w dół na żądaną wysokość.
3. Dokręcić pokrętkę (1).
4. Powtórzyć to samo z drugą rączką. Upewnić się, że obie rączki są mocno zamocowane.

3.7 Stan akumulatora i ładowanie

 **OSTRZEŻENIE** Ryzyko obrażeń i uszkodzeń mienia w wyniku pożaru

- Używać wyłącznie ładowarki dostarczonej z wózkiem. Stosowanie innej ładowarki może być niebezpieczne (zagrożenie pożarem).
- Ładowarka jest przeznaczona wyłącznie do ładowania akumulatora dostarczonego z wózkiem. Nie wolno nią ładować innych akumulatorów.
- Nie wolno modyfikować dostarczonych części, takich jak kable, wtyczki lub ładowarka. Nigdy nie otwierać ani nie modyfikować akumulatora ani terminali.
- Chronić akumulator i ładowarkę przed ogniem, wysokimi i niskimi temperaturami (patrz rozdział 6), wilgocią, światłem słonecznym, silnymi uderzeniami (np. upadkiem). **NIE WOLNO** używać akumulatora, jeśli takie zdarzenia wystąpiły.
- Ładować akumulator przy użyciu ładowarki, w pomieszczeniach, w dobrze wentylowanym miejscu, poza zasięgiem dzieci.

 **PRZESTROGA** Ryzyko uszkodzenia

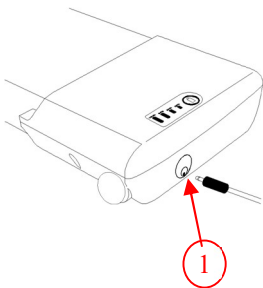
- Proces samorozładowania i prąd spoczynkowy podłączonych odbiorów powoduje powolne rozładowanie się akumulatora. Pełne rozładowanie akumulatora może spowodować jego nieodwracalne uszkodzenie. Należy pamiętać, aby w odpowiednim czasie ładować akumulator (patrz 3.7).

- Zapoznać się z instrukcjami przechowywania i konserwacji w rozdziale 4 oraz szczegółami technicznymi w rozdziale 6.
- Nie ładować akumulatora w temperaturze poniżej 0°C. Przenieść akumulator w cieplejsze miejsce i rozpocząć ładowanie.
- Terminal ładowarki powinien być czysty, wolny od kurzu i innych zabrudzeń.
- W razie problemów z ładowaniem akumulatora zgodnie z niniejszymi instrukcjami skontaktować się z wyspecjalizowanym sprzedawcą.

i Aby zapoznać się z informacjami na temat wskazań stanu akumulatora, należy przeczytać §3.7.
Zaleca się, aby odłączyć ładowarkę od sieci, gdy jest nieużywana. Oszczędza to energię.

Przed ładowaniem zawsze sprawdzić, czy akumulator nie jest uszkodzony. Nacisnąć przycisk wskaźnika ładowania przez 2 sekundy, aby włączyć akumulator. Jeśli kontrolki LED wskaźnika ładowania się nie zapalą, może to oznaczać, że akumulator jest uszkodzony. Jeśli zapali się przynajmniej jedna, ale nie wszystkie kontrolki LED wskaźnika ładowania, przed pierwszym użyciem akumulatora całkowicie go naładować.

Nie ładować ani nie używać uszkodzonego akumulatora. Skontaktować się z wyspecjalizowanym sprzedawcą.



Aby zadbać o pełną pojemność akumulatora, przed pierwszym użyciem całkowicie go naładować przy użyciu ładowarki. Akumulator można naładować w dowolnym momencie, może być zamontowany w wózku lub zdemontowany.

Instrukcje ładowania akumulatora:

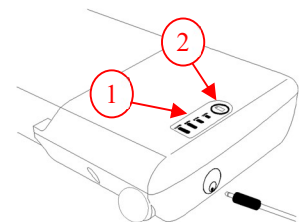
1. Wyłączyć akumulator.
 2. W razie potrzeby wyjąć akumulator z obudowy. Nie dopuścić, aby gniazdo ładowania zostało zanieczyszczone lub zalane jakąś cieczą.
 3. Podłączyć wtyczkę ładowarki do akumulatora ①.
 4. Podłączyć wtyczkę sieciową ładowarki do gniazdka.
5. Wskaźnik LED na ładowarce wskaże stan procesu ładowania:
- Czerwony - Ładowanie
 - Zielony - Stan gotowości/Pełne naładowanie
6. Gdy akumulator się naładuje, wyciągnąć wtyczki ładowarki z gniazdka i z akumulatora.

3.7.1 Wskaźnik ładowania akumulatora

Dostępne są dwa wskaźniki ładowania akumulatora:

Na akumulatorze:

1. Nacisnąć przycisk ② na akumulatorze.
2. Kontrolka LED wskaźnika ładowania akumulatora ① wskaże poziom naładowania.



Konsola kierownicza:

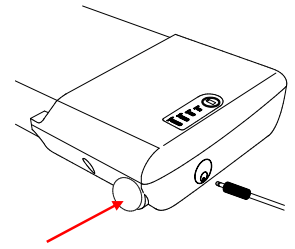
Gdy układ elektryczny jest włączony, wskaźnik akumulatora (2, §3.3) wskaże poziom naładowania.

- Wszystkie kontrolki LED włączone: akumulator w pełni naładowany.
- Tylko czerwona kontrolka LED włączona lub migająca: natychmiast naładować akumulator.

Ze względu na okablowanie, oba wskazania mogą się trochę różnić. W takim przypadku przyjąć najgorsze wskazanie poziomu naładowania.

3.8 Włączanie / wyłączanie urządzenia elektrycznego

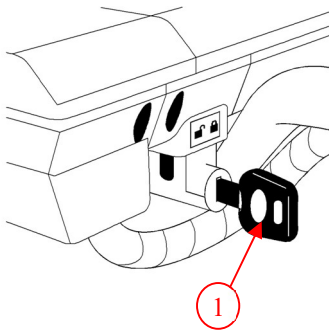
Nacisnąć przycisk wł./wył. z boku akumulatora.



PL

3.9 Montaż/demontaż akumulatora

Akumulator można wyjąć, aby łatwo naładować ją poza wózkiem.



Odbloku



Zabloku



Aby zamontować akumulator:

1. Włożyć kluczyk ① i obrócić go w kierunku symbolu odblokowania.
2. Włożyć do oporu akumulator do jego obudowy. Akumulator można włożyć tylko w jeden sposób.
3. Obrócić kluczyk ① do pozycji zablokowania.
4. Upewnić się, że akumulator jest prawidłowo zamocowany.
5. Wyjąć kluczyk ①. (Nigdy nie wyjmować kluczyka podczas jazdy).

Aby wyjąć akumulator:

1. Włożyć kluczyk ①.
2. Obrócić kluczyk ① do symbolu odblokowania.
3. Delikatnie wyciągnąć akumulator z obudowy.

4 Konservacja

4.1 Czas konserwacji

 **PRZESTROGA** Ryzyko obrażeń i uszkodzeń

PL Naprawę i wymianę części mogą wykonywać tylko osoby przeszkolone. Należy używać wyłącznie oryginalnych części zamiennych Vermeiren.

i Na ostatniej stronie instrukcji znajduje się formularz dla wyspecjalizowanego sprzedawcy, służący do odnotowywania wszystkich czynności serwisowych. Częstotliwość serwisu zależy od częstotliwości i intensywności użytkowania. Skontaktować się ze sprzedawcą, aby uzgodnić harmonogram kontroli/konserwacji/napraw. Przeczytać instrukcje użytkownika dostarczonej ładowarki dotyczące konserwacji. Instrukcję konserwacji można znaleźć w witrynie Vermeiren: www.vermeiren.com.

Przed każdym użyciem

Sprawdzić następujące punkty:

- Wszystkie części: obecne, nieuszkodzone i nieużyte.
- Wszystkie części: czyste, patrz § 4.2.2.
- Koła, siedzisko, podłokietniki, podpórki pod stopy, zagłówek (jeśli dotyczy): prawidłowo zamontowane.
- Stan akumulatora: naładować akumulator w razie potrzeby, patrz §3.7.
- Konsola kierownicza, akumulator, moduł zasilania, silniki, ładowarka, światła, okablowanie: nieuszkodzone, np. żadne przewody nie są przetarte, przerwane lub pozbawione izolacji.
- Stan kół/opon, patrz § 4.2.1.
- Stan części ramy: brak odkształceń, niestabilności, osłabień, poluzowanych połączeń.
- Siedzisko, oparcie, poduszki podłokietnika, poduszki podnóżka i zagłówek (jeśli dotyczy): brak nadmiernego zużycia (wgniecień, uszkodzeń, rozerwań).

Skontaktować się z wyspecjalizowanym sprzedawcą w kwestii ewentualnych napraw lub wymiany części.

Co miesiąc

Jeśli wózek jest przechowywany przez dłuższy czas, należy co miesiąc doładowywać akumulator. W tym okresie ładowarka może być cały czas podłączona do akumulatora i sieci. Więcej informacji: patrz §3.7.

Co roku lub częściej

Zlecać kontrolę i serwis wózka wyspecjalizowanemu sprzedawcy raz w roku lub częściej. Minimalna częstotliwość czynności konserwacyjnych zależy od natężenia eksploatacji. Dlatego należy ją uzgodnić z wyspecjalizowanym sprzedawcą.

W przypadku przechowywania

Upewnić się, że wózek jest przechowywany w suchym miejscu, aby zapobiec wzrostowi pleśni i uszkodzeniu tapicerki.

4.2 Instrukcje konserwacji

4.2.1 Koła i opony

- i** Prawidłowe funkcjonowanie hamulców zależy od stanu opon, który zmienia się w zależności od zużycia i zanieczyszczenia (woda, olej, błoto itp.).
- Koła powinny być czyste i wolne od drutów, włosów, piasku i włókien.
 - Sprawdzić profil opon. Jeśli bieżnik jest płytszy niż 1 mm, opony należy wymienić. Skontaktować się z wyspecjalizowanym sprzedawcą w tej kwestii.

4.2.2 Czyszczenie

PRZESTROGA

Ryzyko uszkodzenia przez wilgoć.

- Konsola kierownicza powinna być czysta i chroniona przed wodą i deszczem.
- Do czyszczenia wózka nigdy nie używać strumienia wody z węża ani myjki wysokociśnieniowej.

Wszystkie twarde części wózka wycierać wilgotną (ale nie ociekającą wodą) ściereczką. W razie konieczności używać łagodnego detergentu odpowiedniego do mycia powierzchni lakierowanych i z tworzyw sztucznych.

Tapicerkę można czyścić letnią wodą i łagodnym mydłem. Do czyszczenia nie używać szorstkich środków czyszczących.

Otwory wentylacyjne ładowarki powinny być czyste, wolne od nagromadzonego kurzu. W razie potrzeby zdmuchnąć kurz i oczyścić obudowę ładowarki lekko zwilżoną ściereczką.

4.2.3 Dezynfekcja

PRZESTROGA

Ryzyko uszkodzenia

Dezynfekcję mogą przeprowadzać wyłącznie odpowiednio przeszkolone osoby. Zasięgnąć porady u wyspecjalizowanego sprzedawcy.

4.3 Diagnozowanie i rozwiązywanie problemów

Nawet jeśli wózek jest użytkowany prawidłowo, może wystąpić problem techniczny. W takim przypadku skontaktować się z lokalnym wyspecjalizowanym sprzedawcą.



OSTRZEŻENIE

Ryzyko obrażeń i uszkodzeń wózka

- NIGDY nie podejmować prób samodzielnej naprawy wózka.
- Jeśli dojdzie do usterki konsoli kierowniczej, należy się skontaktować z wyspecjalizowanym sprzedawcą.
Podejmie on decyzję, czy konsola wymaga przeprogramowania.

W przypadku usterki jej kod wyświetla się na konsoli kierowniczej, patrz §5.

Następujące oznaki mogą sygnalizować poważny problem. Jeśli wystąpią któreś z poniższych sytuacji, zawsze należy się skontaktować z wyspecjalizowanym sprzedawcą:

- Nietypowe dźwięki;
- Przetarte/uszkodzone wiązki kabli;
- Pęknięte lub połamane złącza;
- Nierównomierne zużycie bieżnika na jednej z opon;
- Trzęsące się, rwane ruchy;
- Ściąganie wózka na jedną stronę;
- Uszkodzone lub zepsute zespoły kół;
- Wózek się nie włącza (przepalony bezpiecznik);
- Wózek się włączony, ale nie jedzie, patrz 3.4.

4.4 Przewidywany okres użytkowania

Przeciętna trwałość wózka inwalidzkiego wynosi 5 lat. Ten czas może być dłuższy lub krótszy, zależnie od częstotliwości korzystania, warunków jazdy i konserwacji wózka.

4.5 Ponowne użycie

Przed każdym ponownym użyciem przez inną osobę wózek należy zdezynfekować, skontrolować i poddać konserwacji zgodnie z instrukcjami w §4.1 i §4.2.

4.6 Koniec użytkowania

PL Po zakończeniu użytkowania należy poddać wózek utylizacji zgodnie z lokalnie obowiązującymi przepisami w zakresie ochrony środowiska. Najlepszym sposobem, aby to zrobić, jest demontaż wózka w celu ułatwienia transportu części nadających się do przetworzenia.

5 Diagnostowanie i rozwiązywanie problemów


OSTRZEŻENIE

Ryzyko obrażeń i uszkodzeń konsoli kierowniczej i wózka

- NIGDY nie podejmować prób samodzielnej naprawy konsoli kierowniczej.
- Jeśli dojdzie do usterki konsoli kierowniczej, należy się skontaktować z wyspecjalizowanym sprzedawcą. Podejmie on decyzję, czy konsola wymaga przeprogramowania.

W razie możliwego problemu odpowiedni kod systemowy jest sygnalizowany przez migające kontrolki LED wskaźnika stanu akumulatora, patrz §3.3 (2). Poniższa tabela zawiera zestawienie możliwych kodów systemowych. Niektóre problemy może rozwiązać sam użytkownik. W przypadku wszystkich problemów oznaczonych kolorem szarym należy się skontaktować z wyspecjalizowanym sprzedawcą.

Tabela 2: Diagnostowanie i rozwiązywanie problemów

Kod	Problem	Znaczenie
1	Akumulator rozładowany/wadliwe podłączenie akumulatora	Sprawdzić podłączenia akumulatora. Jeśli podłączenia są w dobrym stanie, naładować akumulator.
2	Wadliwe podłączenie lewego silnika lub enkodera	Sprawdzić podłączenia lewego silnika i enkodera.
3	Uszkodzone okablowanie lewego silnika/zablokowanie silnika	
4	Wadliwe podłączenie prawego silnika lub enkodera	Sprawdzić podłączenia prawego silnika i enkodera.
5	Uszkodzone okablowanie prawego silnika/zablokowanie silnika	
7	Usterka joysticka	Przed włączeniem sterownika upewnić się, że joystick jest w położeniu środkowym.
7 + S ¹	Usterka komunikacji	Upewnić się, że kabel modułu joysticka jest prawidłowo podłączony i nie jest uszkodzony.
8	Możliwa usterka sterownika	Upewnić się, czy wszystkie podłączenia są prawidłowo wykonane.
9	Wadliwe podłączenie hamulca postojowego	Sprawdzić podłączenia hamulca postojowego i silników Upewnić się, czy wszystkie podłączenia sterownika są prawidłowo wykonane.
10	Zbyt wysokie napięcie	Przyczyną zbyt wysokiego napięcia jest zwykle nieprawidłowe podłączenie akumulatora. Sprawdzić podłączenia akumulatora.

¹S = Migające kontrolki LED wskaźnika prędkości.

6 Parametry techniczne

Parametry techniczne zamieszczone poniżej dotyczą tylko tego wózka, przy standardowych ustawieniach i optymalnych warunkach otoczenia. Podczas użytkowania należy wziąć pod uwagę te szczegóły. Wartości będą nieważne, jeśli wózek zostanie zmodyfikowany, uszkodzony lub w dużym stopniu zużyty. Należy pamiętać, że parametry jazdy zależą od temperatury otoczenia, wilgotności, nachylenia terenu (jazda w górę/w dół), typu nawierzchni i stanu akumulatora.

Tabela 1: Parametry techniczne

Marka	Vermeiren
Typ	Elektryczny wózek inwalidzki, klasa A
Model	Verso
Maksymalna masa użytkownika	130 kg

Opis	Wymiary
Łączna długość z podnóżkiem	1078 mm (przy najkrótszej głębokości siedziska)
Łączna szerokość (w zależności od szerokości siedziska)	610 mm 630 mm 650 mm 670 mm
Łączna wysokość	937 mm – 1002 mm
Masa łączna	31,3 kg
Masa najcięższej części	Tylna rama: 16,2 kg
Zużycie energii *	12,8 Ah: 15 km 17,5 Ah: 21 km
Pokonywane wzniesienie	3°
Wjeżdżanie na przeszkody	15 mm
Prędkość maksymalna przy jeździe do przodu	6 km/h
Maks. droga hamowania przy prędkości maksymalnej	1 m
Kąt płaszczyzny siedziska	5°
Efektywna głębokość siedziska	420 - 480 mm
Efektywna szerokość siedziska	440 mm 460 mm 480 mm 500 mm
Wysokość powierzchni siedziska przy przedniej krawędzi	521 mm
Kąt oparcia	5°
Wysokość oparcia	400 – 420 – 440 – 460 – 480 mm
Odległość od podnóżka do siedziska	370 – 500 mm
Kąt ustawienia nogi do powierzchni siedziska	105°
Odległość od podłokietnika do siedziska	150 – 210 mm
Przednie położenie konstrukcji podłokietnika	322,5 mm – 370 mm
Minimalny promień skrętu	1145 mm
Prześwit	61 mm



Marka	Vermeiren
Typ	Elektryczny wózek inwalidzki, klasa A
Model	Verso
Maksymalna masa użytkownika	130 kg

Średnica kół tylnych	12"
Rodzaj kół tylnych **	Opony PU
Średnica kół przednich	200x50
Rodzaj kół przednich **	Opony PU
Opis elektryczny	
Akumulator	12,8 Ah 17,5 Ah
Silniki napędowe	2 x 250 W
Bezpiecznik	20 A
Testy wytrzymałości zgodnie z	ISO 7176-8
Testy systemu zasilania i sterowania zgodnie z	ISO 7176-14
Zapalność tapicerki zgodnie z	EN1021-2:2006
Zgodność z EMC	ISO 7176-21
Klasa ochrony	IPX4
Poziom hałasu	< 65 dB (A)
Temperatura przechowywania i użytkowania	+5°C ~ +41°C
Temperatura pracy elementów elektronicznych	-10°C ~ +40°C
Wilgotność podczas przechowywania i użytkowania	30% ~ 70%

Zastrzegamy sobie prawo do wprowadzania zmian technicznych. Tolerancja pomiarów ± 15 mm / 1,5 kg / 1,5°.

*** Teoretyczny zasięg jazdy będzie krótszy, jeśli wózka używa się często na zboczach, nierównym terenie i przejeżdża się przez krawężniki.**

****Ponieważ można stosować różne opony, należy pamiętać o prawidłowym ciśnieniu roboczym używanych opon. W kwestii innych średnic opon skontaktować się ze sprzedawcą.**

Obsah

Obsah	1
Úvod	2
1 Tento výrobek	3
1.1 Doplnky	3
2 Před použitím	4
2.1 Zamýšlené použití	4
2.2 Obecné bezpečnostní pokyny	4
2.3 Symboly na invalidním vozíku	5
2.4 Přeprava	5
2.5 Montáž/demontáž	6
2.6 První použití a uskladnění	8
3 Použití invalidního vozíku	9
3.1 První jízda	9
3.2 Jízda venku	9
3.3 Ovládací konzola	10
3.4 Brzdy a páčka volnoběhu	11
3.5 Přesun na invalidní vozík nebo z něj	12
3.6 Nastavení pro zajištění pohodlí	13
3.7 Stav a nabíjení baterie	14
3.8 Zapnutí/vypnutí elektrického zařízení	16
3.9 Montáž/demontáž baterie	16
4 Údržba	17
4.1 Interval údržby/servisu	17
4.2 Pokyny pro údržbu/servis	17
4.3 Řešení problémů	18
4.4 Životnost výrobku	18
4.5 Další použití výrobku	18
4.6 Likvidace výrobku	19
5 Řešení problémů	20
6 Technické údaje	21

Úvod

Blahopřejeme! Nyní jste majiteli invalidního vozíku Vermeiren!

Tento invalidní vozík byl vyroben pečlivými pracovníky s kvalifikací. Navíc byl navržen a vyroben dle vysokých kvalitativních standardů, nad nimiž dohlíží společnost Vermeiren.

Děkujeme za vaši důvěru ve výrobky společnosti Vermeiren. Tento návod vám pomůže při používání tohoto invalidního vozíku a jeho funkcí. Řádně si jej přečtěte; pomůže vám seznámit se s ovládáním, schopnostmi a omezeními tohoto invalidního vozíku.

Máte-li po přečtení tohoto návodu jakékoli otázky, neváhejte se obrátit na specializovaného prodejce. Rád vám v této věci pomůže.

Důležitá poznámka

Aby byla zajištěna vaše bezpečnost a prodloužena životnost tohoto výrobku, věnujte mu řádnou péči a nechávejte jej pravidelně kontrolovat a opravovat.

Tento návod odráží nejnovější vývoj výrobku. Společnost Vermeiren má právo provádět změny tohoto typu výrobku, aniž by byla povinna upravit nebo nahradit podobné výrobky, které již byly dodány.

Obrázky slouží k objasnění pokynů v tomto návodu. Detaily výrobku na obrázcích se mohou od daného výrobku lišit.

Dostupné informace

Na naší webové stránce <http://www.vermeiren.com/> naleznete vždy nejnovější verzi následujících dokumentů. Tyto webové stránky pravidelně navštěvujte pro případné aktualizace.

Osoby se zhoršeným zrakem si mohou stáhnout elektronickou verzi tohoto návodu a nechat si ji číst pomocí softwarové aplikace převádějící text na řeč.



Tento návod k obsluze
Pro uživatele a specializovaného prodejce



Pokyny k instalaci (podrobné pokyny pro seřízení a (de)montáž)
Pro specializované prodejce



Servisní příručka pro invalidní vozíky
Pro specializované prodejce



Prohlášení o shodě (ES)

1 Tento výrobek



- | | |
|---------------------|-------------------------------------|
| 1. Opěradlo | 7. Přední kola |
| 2. Ovládací konzola | 8. Zadní kola / hnací kola s motory |
| 3. Loketní opěrka | 9. Baterie |
| 4. Sedadlo | 10. Kříž |
| 5. Nožní opěrka | 11. Identifikační štítek |
| 6. Podnožka | |

1.1 Doplnky

- Informace o doplncích můžete získat od specializovaného prodejce. Velmi rád vám poradí.

2 Před použitím

2.1 Zamýšlené použití

V tomto odstavci je uveden stručný popis zamýšleného použití tohoto invalidního vozíku. V dalších odstavcích jsou pak k pokynům přidána příslušná varování. Tímto způsobem chceme upozornit na případné chybné použití, k němuž může dojít.

- Tento invalidní vozík je vhodný pro domácí a venkovní použití.
- Tento invalidní vozík je konstruován a vyroben výhradně k přepravě/přemístění jedné (1) osoby o max. hmotnosti 130 kg. Není konstruován pro přepravu zboží či předmětů ani pro jakýkoli jiný účel, než je popsán výše.
- Tento invalidní vozík může provozovat na něm sedící uživatel, nebo jej může tlačit asistent. Tento invalidní vozík **NESMÍTE** používat bez pomoci asistenta, trpíte-li tělesnou či duševní poruchou, která by mohla vás nebo jiné osoby ohrozit při řízení invalidního vozíku. Z tohoto důvodu se nejprve obraťte na lékaře a zajistěte, aby byl specializovaný prodejce informován o jeho posudku.
- Používejte pouze příslušenství a náhradní díly schválené společností Vermeiren.
- Přečtěte si o všech technických detailech a omezeních tohoto invalidního vozíku v kapitole 6.
- Záruka na tento výrobek je založena na běžném použití a údržbě, jak je to popsáno v tomto návodu. V případě poškození výrobku způsobeného nesprávným použitím či absencí údržby tato záruka zanikne.

2.2 Obecné bezpečnostní pokyny

 **UPOZORNĚNÍ** Riziko zranění nebo poškození

Přečtěte si pokyny v tomto návodu a postupujte podle nich. Jinak se můžete zranit nebo se váš invalidní vozík může poškodit.

Při použití mějte na paměti tato obecná upozornění:

- Tento invalidní vozík nepoužívejte, jste-li pod vlivem alkoholu, léků či jiných látek, které by mohly ovlivnit vaše schopnosti jej řídit.
- Mějte na paměti, že některé části invalidního vozíku mohou být velmi teplé či studené vlivem okolní teploty, slunečního záření, topných těles nebo kvůli motorovému pohonu během jízdy. Když se budete vozíku dotýkat, buďte opatrní. Při chladném počasí používejte ochranný oděv. Po jízdě vyčkejte, dokud invalidní vozík / motor nevychladne.
- Před zapnutím invalidního vozíku si uvědomte prostředí/situaci, ve které se právě nacházíte. Podle toho upravte rychlost, než vyjedete. Při jízdě v interiéru doporučujeme použít nastavení nejnižší rychlosti. Při jízdě venku můžete nastavit vhodnou rychlost, která pro vás bude pohodlná a bezpečná.
- Mějte **VŽDY** na paměti, že se tento invalidní vozík může náhle zastavit kvůli vybité baterii nebo ochraně, která zabraňuje jeho dalšímu poškození. Zkontrolujte také možné příčiny uvedené v odst. 4.3. K prevenci zranění používejte bezpečnostní pás.
- U tohoto invalidního vozíku byla testována elektromagnetická kompatibilita a vozík splňuje příslušnou normu, viz kapitola 6. Nicméně výkon pohonu invalidního vozíku mohou narušovat zdroje elektromagnetických polí, jako jsou mobilní telefony, elektrogenerátory či jiné vysoce výkonné zdroje energie. Elektronika invalidního vozíku ovšem také může rušit jiné elektronické přístroje, jako jsou poplašné systémy v obchodech nebo automatické dveře. Proto doporučujeme pravidelně kontrolovat, zda invalidní vozík není poškozen nebo opotřeben, protože to by mohlo míru rušení zvýšit (viz také kapitola 4).
- Jezděte pouze na povrchu, kde se mohou dotýkat země obě hnací kola, a kde je dostatečný kontakt pro bezpečnou jízdu invalidního vozíku.

- Bez konzultace s výrobcem invalidního vozíku nesmějí být prováděny úpravy ani výměny na zajišťovacích bodech ani na konstrukčních či rámových dílech nebo součástech invalidního vozíku.
- Zajistěte, aby během použití nedošlo k zachycení rukou, oděvů, pásků, přezek či šperků v kolech nebo jiných pohyblivých součástech.

Mějte na paměti, že v závislosti na použitém nastavení může invalidní vozík rušit některé typy zabezpečovacích systémů proti krádeži. To může způsobit spuštění alarmu v obchodu.

Jakýkoli závažný incident [dle MDR (EU) 2017/745 §2 (65)], ke kterému došlo v souvislosti s prostředkem, by měl být oznámen výrobcí a příslušnému orgánu členského státu, ve kterém je uživatel/nebo pacient usazen.



2.3 Symboly na invalidním vozíku

Pro tento invalidní vozík platí symboly v následujícím seznamu. Symboly lze vyhledat v příslušné normě ISO (ISO 7000, ISO 7001 a IEC 417).



Max. hmotnost uživatele v kg



Pouze domácí použití (nabíječka baterií)



Max. bezpečný sklon ve ° (stupních).



Maximální rychlost



Typové označení



Nebezpečí skřípnutí

2.4 Přeprava

UPOZORNĚNÍ

Riziko poškození

Přijměte opatření k ochraně invalidního vozíku před poškozením při přepravě.

2.4.1 Přemístění

K řízení invalidního vozíku na místo určení použijte ovládací konzolu.

Jinak uveďte invalidní vozík do volnoběžného režimu (viz odst. 3.4) a k jeho pohybu použijte tlačnou tyč.

2.4.2 Přeprava letadlem

Pokud přepravujete vozík letadlem, před předáním vozíku letištnímu personálu zamkněte a odpojte baterii (viz odst. 3.9 a odst. 3.8). Baterie může zůstat ve vozíku. O správném postupu se poraďte s leteckou společností.



2.4.3 Přeprava vozidlem jako zavazadlo

Nejlepší způsob, jak elektrický invalidní vozík naložit do vozidla, je najet s ním dovnitř pomocí ramp. Nemáte-li zkušenosti s jízdou s elektrickým invalidním vozíkem na rampách, můžete jej uvést do neutrálního režimu a pak jej zatlačit do vozidla po rampách. V případě potřeby invalidní vozík demontujte.

1. Jako uživatel invalidního vozíku se přemístěte na sedadlo vozidla, viz odst. 3.5.
2. Před přepravou odmontujte všechny pohyblivé díly (podnožky, loketní opěrky atd.).
3. Pohyblivé díly bezpečně uložte za sedadlo spolujezdce nebo do zavazadlového prostoru.
4. Najedte elektrickým invalidním vozíkem či jej zatlačte do vozidla pomocí ramp, nebo mohou vozík do vozidla zvednout dvě osoby, které uchopí pevné součásti rámu.
5. Upevněte pevné součásti rámu řádně k vozidlu.
6. Uvedte invalidní vozík do jízdního režimu (s aktivací parkovacích brzd) a ověřte, že je ovládací konzola vypnutá.

2.5 Montáž/demontáž



UPOZORNĚNÍ

Riziko zranění

- Dávejte pozor, abyste si při (de)montáži nepřiskřípli prsty, oděv nebo spony.

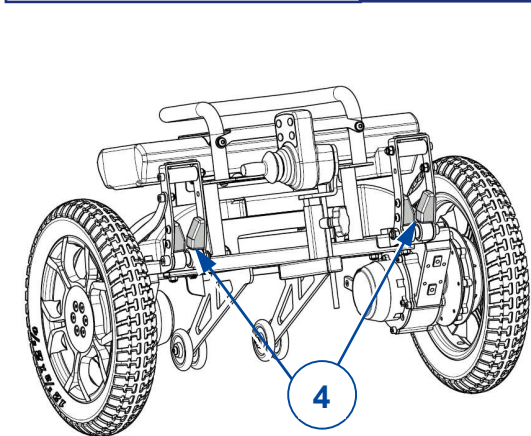
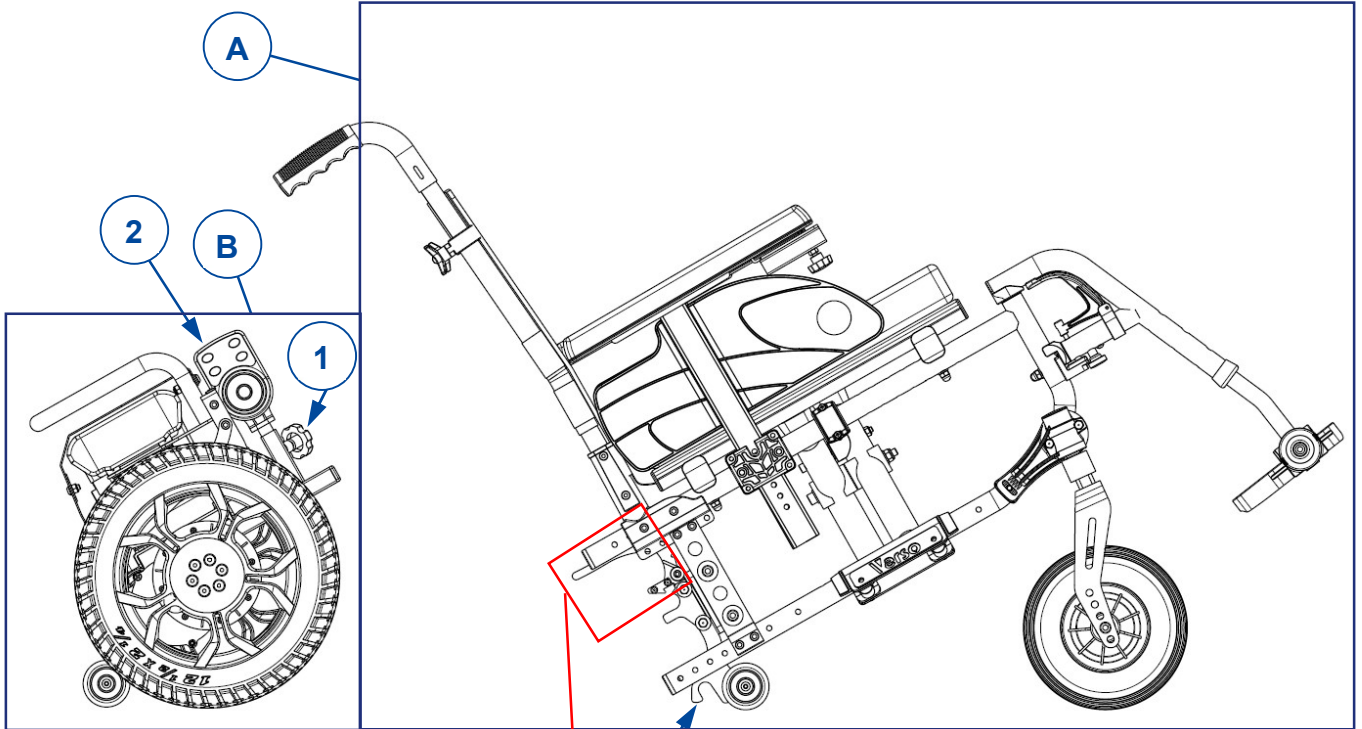
Prodejce dodá invalidní vozík kompletně smontovaný a zároveň vysvětlí jednotlivé ovládací prvky a jejich použití. Také my zde pro účely přepravy poskytneme další podrobné vysvětlení jednotlivých součástí

Montáž elektrického invalidního vozíku:

1. Rozložte rám sedadla (A).
2. Umístěte rám sedadla na přední kola a zadní podpurná kolečka.
3. Umístěte pohonné ústrojí (B) za rám sedadla.
4. Vyšroubujte hvězdicový šroub (1) a sundejte z pohonného ústrojí ovládací konzolu (2). Konzolu dejte dočasně na bezpečné místo, položte ji například na opěradlo.
5. Nasaďte háky rámu sedadla (3) na čepy (4) pohonného ústrojí.
6. Zatlačte rám sedadla dolů, dokud neuslyšíte cvaknutí a dokud rám nebude řádně připevněn k pohonnému ústrojí, na levé i pravé straně. Zkontrolujte, zda jsou háky (8) zajištěny v poloze směrem dolů.
Pokud rám sedadla nezaklapne automaticky, umístěte rám na pohonnou ústrojí a zatlačte háky (8) dolů ručně.
7. Namontujte loketní opěrky (odst. 3.6.2).
8. Namontujte nožní opěrky (odst. 0).
9. Zasuňte ovládací konzolu do podpěry na loketní opěrce (5). Utáhněte hvězdicový šroub (6) a upevněte kabel svorkami (7).

Demontáž elektrického invalidního vozíku:

1. Uvolněte kabel ze svorek na loketní opěrce. Uvolněte hvězdicový šroub (6) na podpěře ovládací konzoly a vysuňte konzolu ven. Konzolu dejte dočasně na bezpečné místo.
2. Vytáhněte háky (8) na obou stranách dolní části rámu směrem nahoru. Pohonné ústrojí je teď odpojeno od rámu a překlopí se dozadu na podpurná kolečka.
3. Zvedněte rám sedadla nahoru a směrem od pohonného ústrojí.
4. Demontujte loketní opěrky.
5. Demontujte nožní opěrky.
6. Složte rám sedadla.
7. Umístěte ovládací konzolu (2) na vyhrazenou podpěru na pohonném ústrojí a utáhněte hvězdicový šroub (1).



2.6 První použití a uskladnění

 UPOZORNĚNÍ Riziko poškození baterie

- Baterii nikdy úplně nevybíjejte.
- Nepřerušujte nabíjecí cyklus; nabíječku odpojujte od baterie, jen když je zcela nabitá.
- Zajistěte, aby byl invalidní vozík skladován na suchém místě, kde nemůže dojít k výskytu plísní a k poškození čalounění.
- Zkontrolujte technické údaje pro skladování, viz kapitola 6.

CS Před použitím invalidního vozíku zkontrolujte, že je baterie plně nabitá, zeptejte se svého prodejce, zdali to již bylo provedeno či nikoliv. Nabíjení provádějte podle pokynů k nabíjení v odst. 3.7.

3 Použití invalidního vozíku



VAROVÁNÍ

Riziko zranění

- Nejprve si přečtěte předchozí kapitoly a seznamte se se zamýšleným použitím. Invalidní vozík NIKDY nepoužívejte, dokud si nepřečtete a plně neporozumíte všem pokynům.
- Přečtěte si také pokyny v návodu k ovládací konzole a návodu k nabíječce baterií!
- V případě pochybností či dotazů se neváhejte obrátit na místního specializovaného prodejce, poskytovatele péče nebo technického poradce, aby vám pomohl.

3.1 První jízda



UPOZORNĚNÍ

Riziko zranění a poškození

- Abyste nezranili osoby stojící okolo nebo nepoškodili předměty, vždy myslete na rozsah pohybu podnožky a ovládací konzoly.
- Před zahájením jízdy vždy odpojte nabíječku baterií od invalidního vozíku.

- i**
- Před používáním vozíku na přeplněných a možná nebezpečných místech se naučte vozík řádně ovládat. Nejprve se cvičně projedte na volném prostranství, kde není příliš mnoho lidí.
 - Vyzkoušejte si chování invalidního vozíku při změně těžiště, např. v mírném sklonu nahoru či dolů, v bočním svahu nebo při překonávání překážek. Požádejte o pomoc asistenta.
 - Povrch ovladače se během používání mírně zahřívá.
 - Při jízdě dozadu je rychlost snížena.

1. Zajistěte, aby:

- byl invalidní vozík na rovném povrchu;
- byla plně nabitá baterie, viz odst. 3.7;
- byl spřažen motor, viz odst. 3.4;
- byl invalidní vozík přizpůsoben vašim potřebám a pohodlí, viz odst. 3.6;
- byla vaše poloha vsedě správná, viz odst. 3.5.

2. Postupujte podle pokynů v návodu k ovládací konzole.

3. Zapněte napájení invalidního vozíku.

4. Nastavte nejnižší rychlost.

5. Vyzkoušejte si invalidní vozík řídit a provedte jeho seřízení.

6. Získáte-li větší jistotu, vyzkoušejte si řízení s vyšší rychlostí.

7. Nyní zkoušejte zatáčet, směrem vpřed a směrem vzad. Několikrát to zopakujte.

8. Zajistěte, aby zůstal invalidní vozík po ukončení jízdy stabilně stát.

9. Vypněte napájení invalidního vozíku.

3.2 Jízda venku



VAROVÁNÍ

Riziko nehody – přizpůsobte svou jízdu a rychlost.

- Berte v potaz místní dopravní předpisy; v různých zemích se mohou lišit. To se týká jízdy na chodnících, nezpevněných cestách či zpevněných silnicích.
- Nejezděte na silnici se silným provozem.
- Berte v potaz povětrnostní podmínky. Nejezděte ve vlhkém počasí, v extrémním teple, na sněhu, na ledovce, při teplotách pod nulou; viz technické údaje v kapitole 6.
- Zajistěte, abyste byli dobře vidět (i za denního světla) pomocí fluorescenčního oděvu anebo vlastního osvětlení na přední a zadní straně invalidního vozíku.
- Mějte na paměti další účastníky silničního provozu, pro něž může být tento invalidní vozík překážkou. Při otáčení a couvání dbejte zvýšené opatrnosti. Nejste-li seznámeni s jízdou zpět,

nejprve si to procvičte na volném prostranství. Před zatočením ukažte všem ostatním směr, kam hodláte jet.

- V úzkém průjezdu se snažte jet rovně, abyste v něm neuvízli.
- Vždy mějte na zřeteli brzdnu dráhu. Nezapomeňte, že brzdná dráha závisí na rychlosti, povrchu, povětrnostních podmínkách, sklonu povrchu a hmotnosti uživatele.

3.2.1 Zvládání svahů, obrubníků, překážek či ramp



UPOZORNĚNÍ

Riziko zranění kvůli neočekávanému pohybu

- K zajištění při sezení v invalidním vozíku použijte zádržný bezpečnostní pás.
- Dbejte zvýšené opatrnosti v případě, že je na silnici písek, měkká zemina, díry či výtluky, které mohou způsobit uvíznutí kol nebo snížení trakce hnacích kol.
- NIKDY nejezděte na svahy, překážky, schody či obrubníky, které překračují hodnoty uvedené v technických údajích v kapitole 6.
- K obrubníku přijíždějte zepředu.
- Invalidní vozík na svahu neuvádějte do volnoběžného režimu. Invalidní vozík by se mohl sám rozjet a způsobit zranění vám či okolním osobám.
- Tento invalidní vozík nepoužívejte na eskalátoru ani na schodech.
- Používejte pouze rampy schválené společností Vermeiren a nepřekračujte maximální nosnost.
- K bezpečnému překonání překážek a svahů nastavte vozík do nejvzpřímenější polohy pro sezení.

- i** Když zastavíte na svahu, automaticky se aktivuje brzda, aby se invalidní vozík nerozjel vpřed nebo vzad.

UPOZORNĚNÍ

Riziko poškození

- Elektrický invalidní vozík vždy parkujte na plochých vodorovných a snadno přístupných místech.
- V případě potřeby před naježením na svah, překážku či obrubník invalidní vozík trochu zrychlete. Zajistěte, abyste vy či tento invalidní vozík nemuseli zvládat velký zpětný ráz.
- Zajistěte, aby se invalidní vozík nedotýkal země nebo rampy v důsledku jeho naklonění.
- Mějte na zřeteli, že brzdná dráha je při jízdě dolů ze svahu mnohem delší než při jízdě po rovině.

Postup

- Zahajte jízdu podle pokynů v odst. 3.1, krok 1.
- Pro přesun invalidního vozíku nahoru či dolů po schodech použijte zvedací zařízení nebo rampu. Nejsou-li tyto k dispozici, mohou jej zvednout ručně nejméně dvě osoby, které oběma rukama pevně uchopí rám. K uchopení invalidního vozíku nepoužívejte opěradlo, podnožky, loketní opěrky ani kola.
- Zvládání překážek nebo svahů:
 1. Seřídte invalidní vozík do nejstabilnější polohy, viz odst. 3.5.
 2. Jedte co nejpomaleji, abyste překážku nebo svah zvládli.

3.3 Ovládací konzola

- i** Před stisknutím vypínače uveďte joystick do neutrální (středové) polohy, jinak dojde k zablokování elektroniky. Pro uvolnění tohoto zablokování vypněte ovládací konzolu a znovu ji zapněte.

1. Vypínač
2. Ukazatel nabití baterie
3. Ukazatel rychlosti
4. Tlačítko houkačky
5. Tlačítko snížení rychlosti
6. Tlačítko zvýšení rychlosti
7. Joystick



3.3.1 Technické ochrany

Pro vaši bezpečnost, a aby se invalidní vozík nepoškodil, jsou jeho pohyby monitorovány elektronikou. To může vést ke snížení rychlosti nebo úplnému zastavení.

- Aby nedošlo k náhodnému vybití baterie, je invalidní vozík vybaven systémem automatického vypnutí napájení. Tento systém automaticky vypne ovládací konzolu, když není delší dobu používána. Pokud k tomu dojde, stačí konzolu opět zapnout.
- PŘED zapnutím vozíku ověřte, že je páčka volnoběhu v poloze brzdění. Je-li invalidní vozík v režimu volnoběhu, jeho elektromagnetické brzdy NEFUNGUJÍ. To je signalizováno na ovládací konzole. Jízda není možná.

3.3.2 Jízda

1. Zapněte vozík stisknutím vypínače (1).
2. Když se rozsvítí kontrolky ukazatele nabití baterie (2) a ukazatele rychlosti (3), vozík má k dispozici napájení a je připraven k jízdě.
3. Zkontrolujte ukazatel stavu baterie. V případě potřeby nabijte baterii (viz odst. 3.7).
4. Nastavte rychlost jízdy: rychlost snížíte tlačítkem pro snížení rychlosti (5) nebo zvýšíte tlačítkem pro zvýšení rychlosti (6).
5. Rozjedte vozík pomalým pohybem joysticku (7) dopředu nebo dozadu.
6. Když stlačíte joystick dál ze středu, zvýší se rychlost.
7. Chcete-li zatočit doleva nebo doprava, stlačte joystick doleva nebo doprava.
8. Chcete-li zabrzdít, přemístěte joystick do neutrální polohy.
9. V případě potřeby můžete upozornit ostatní účastníky provozu stisknutím tlačítka houkačky (4).
10. Po příjezdu do cíle zkontrolujte stav baterie a stisknutím vypínače vozík vypněte.
11. V případě potřeby nabijte baterii.

3.4 Brzdy a páčka volnoběhu

 **UPOZORNĚNÍ** Riziko zranění či poškození

- Páčku volnoběhu používejte pouze tehdy, když je vozík vypnutý. Páčku volnoběhu by měl obsluhovat asistent. NIKDY ji nepoužívejte při sezení ve vozíku.
- Režim volnoběhu nepoužívejte na svazích a nakloněných površích.

i PŘED zapnutím vozíku ověřte, že je páčka volnoběhu v poloze brzdění. Je-li invalidní vozík v režimu volnoběhu, jeho elektromagnetické brzdy NEFUNGUJÍ. To je signalizováno na ovládací konzole. Jízda není možná.

Tento invalidní vozík je vybaven elektromagnetickými brzdami. Funkce brzd je závislá na poloze páčky volnoběhu (1).

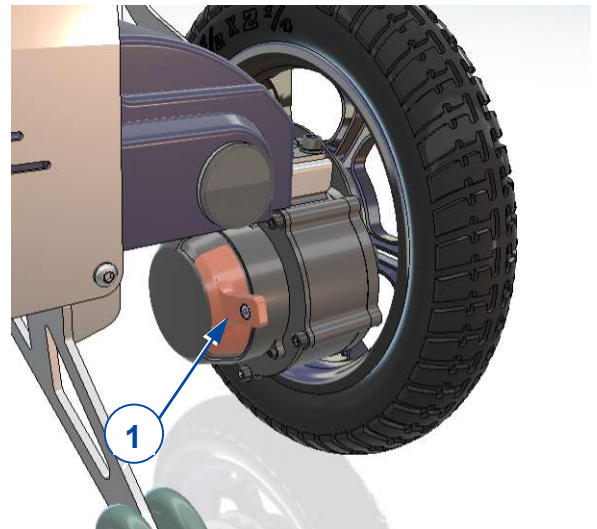
Elektromagnetické brzdy fungují automaticky **pouze tehdy**, je-li páčka volnoběhu (1) v poloze brzdění. V této situaci začnou brzdy brzdit, pokud:

- je invalidní vozík vypnutý;
- je invalidní vozík zapnutý a joystick je uvolněn.

Uvolněním joysticku dojde k plynulému zastavení vozíku a aktivaci brzd.

Obsluha páčky volnoběhu:

- Chcete-li uvést invalidní vozík do režimu volnoběhu, otočte páčku NAHORU. Nyní je motor odpojen. Invalidním vozíkem lze pohybovat ručně.
- Chcete-li připojit motor k pohonu kol, otočte páčku DOLŮ. To se musí udělat před spuštěním invalidního vozíku.



3.5 Přesun na invalidní vozík nebo z něj

 UPOZORNĚNÍ Riziko zranění či poškození

- Nemůžete-li přesun provést bezpečně, požádejte někoho o asistenci.
- Během přemístění na invalidní vozík nebo z něho nešlapejte na podnožky.

Přesun

1. Když sedíte na židli, pohovce, sedačce či posteli, umístěte invalidní vozík co nejbližší k sobě.
2. Aktivujte brzdy otočením páčky volnoběhu do polohy brzdění, viz odst. 3.4.
3. Sklopte podnožku/podnožky nahoru, aby na nich nebylo možné stát.
4. V případě potřeby vytvořte více prostoru sejmutím jedné loketní opěrky, viz odst. 3.6.2.
5. Přesuňte se na invalidní vozík nebo z něj pomocí svých paží nebo s pomocí asistenta/asistentů či zdvihacího zařízení.

Sezení v invalidním vozíku

1. Sedněte si na sedadlo a dolní část zad opřete o opěradlo.
2. Otočte podnožku/podnožky dolů a položte na ní/ně své nohy.
3. V případě potřeby vraťte na místo loketní opěrku.
4. Stehenní části nohou byste měli mít vodorovně a chodidla v pohodlné poloze. V případě potřeby vozík seřídte.
5. Paže byste měli mít ohnuté a měly by pohodlně spočívat na područkách. V případě potřeby vozík seřídte.

Nastavení stabilní polohy

Pro účely přepravy a v případě nutnosti překonat překážky musí být invalidní vozík nastaven tak, aby byl maximálně stabilní:

- opěradlo vzpřímené,
- podnožka složená nahoru.

3.6 Nastavení pro zajištění pohodlí



UPOZORNĚNÍ

Riziko zranění či poškození

- Asistenti nebo pečovatelé mohou provádět následující nastavení pro zajištění pohodlí. Všechna ostatní seřízení jsou prováděna specializovaným prodejcem podle návodu k instalaci, viz úvod.
- Dávejte pozor, aby se vám při seřízení nezachytily prsty, oděv nebo spony.

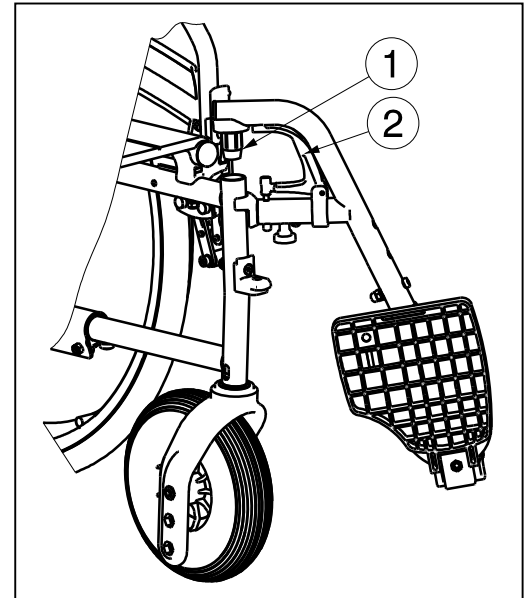
3.6.1 Montáž a demontáž nožních opěrek

Postup montáže nožních opěrek:

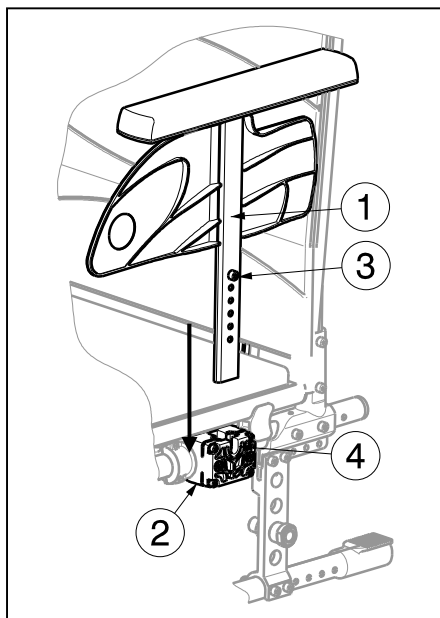
1. Podržte nožní opěrku bočně z vnější strany rámu vozíku a zavěste držák trubky ① do rámu.
2. Otočte nožní opěrku dovnitř, dokud nezacvakne na místo.
3. Sklopte podnožku dolů.

Postup demontáže nožních opěrek:

1. Zatáhněte za páčku ②.
2. Vyklopte nožní opěrku ven z vozíku, až se uvolní z vodítka.
3. Vytáhněte nožní opěrku z držáku trubky ①.



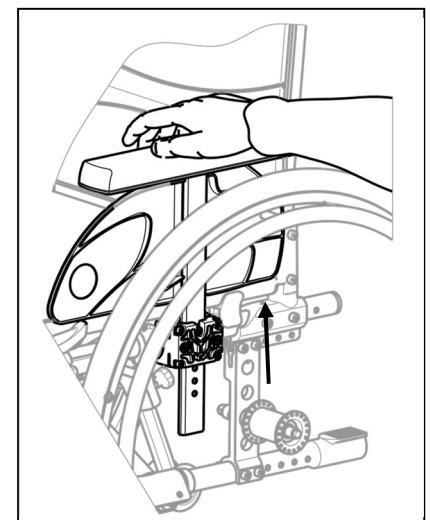
CS



3.6.2 Montáž a demontáž loketních opěrek

Loketní opěrky invalidního vozíku lze upevnit podle následujících pokynů.

1. Zasuňte loketní opěrku ① do podpěry loketní opěrky ② tak, aby šroub ③ spočíval v objímce ④.
2. Zkontrolujte, že je loketní opěrka ① řádně upevněna.



Demontáž loketní opěrky:

1. Uchopte područku a opatrně opěrku vytáhněte z podpěry.

3.6.3 Výška opěradla

Výšku opěradla je možné nastavit do 5 pozic.

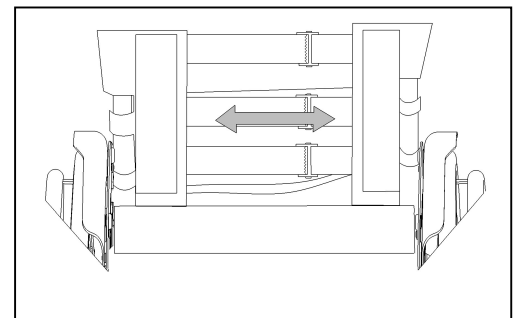
1. Vyšroubujte hvězdicový šroub (1).
2. Posuňte čalounění opěradla nahoru nebo dolů do požadované výšky. Zkontrolujte, že je otvor pro hvězdicový šroub na trubce rámu zarovnan s jedním z otvorů na čalounění opěradla.
3. Vraťte hvězdicový šroub zpět na místo a znovu jej utáhněte.



3.6.4 Podpěra opěradla

Opěradlo vozíku má systém zavěšení s nastavitelnými suchými zipy, pomocí kterého lze nastavit flexibilitu opěradla.

1. Stáhněte polštář opěradla ze suchých zipů.
2. Uvolněte suché zipy.
3. Nastavte jednotlivé řemínky do požadované polohy. Napnutí jednotlivých řemínků se může lišit a je možné nastavit požadovanou podporu zad.
4. Umístěte polštář opěradla zpět na opěradlo; začněte vpředu a skončete vzadu.
5. Zajistěte spojení suchými zipy tak, že rukou přitisknete polštář k opěradlu.
6. Ujistěte se, že jsou všechny řemínky zajištěné suchými zipy.



3.6.5 Výška tlačné rukojeti

Polohu tlačné rukojeti lze nastavit v rozsahu 60 mm:

1. Uvolněte hvězdicový šroub (1).
2. Přesuňte rukojeť nahoru nebo dolů do požadované výšky.
3. Utáhněte hvězdicový šroub (1).
4. Opakujte postup pro druhou rukojeť. Zkontrolujte, že jsou obě rukojeti řádně zajištěny.



3.7 Stav a nabíjení baterie

**VAROVÁNÍ**

Riziko zranění a poškození kvůli požáru

- Používejte pouze nabíječku baterií dodanou s invalidním vozíkem. Použití jakékoli jiné nabíječky může být nebezpečné (riziko požáru).
- Nabíječka baterií je určena pouze k nabíjení baterií dodaných s invalidním vozíkem, nikoli k nabíjení jakýchkoli jiných baterií.
- Neupravujte žádné dodané díly, jako jsou kabely, zástrčky a nabíječka baterií. Nikdy neotevírejte ani neměňte baterii nebo přípojky.
- Chraňte baterii a nabíječku baterií před plameny, vysokými a nízkými teplotami (viz kapitola 6), vlhkostí, slunečním zářením a silnými otřesy (např. při upuštění). Pokud již k tomu došlo, baterii NEPOUŽÍVEJTE.
- Baterii nabíjejte pomocí nabíječky baterií v dobře větrané místnosti mimo dosah dětí.

UPOZORNĚNÍ

Riziko poškození

- Kapacita baterie se pomalu snižuje samovybíjením baterie a klidovým proudem připojených zařízení. Je-li baterie zcela vybita, může dojít k jejímu nevratnému poškození. Proto zajistěte, aby byla baterie včas nabita (viz 3.7).
- Přečtěte si pokyny ke skladování a údržbě v kapitole 4 a technické údaje v kapitole 6.

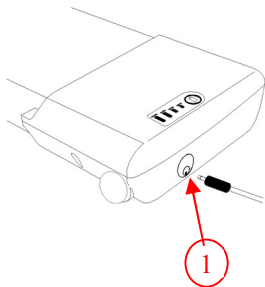
- Baterie nenabíjejte při teplotě nižší než 0 °C. Dejte baterii na teplejší místo a pak zahajte nabíjení.
- Přípojku pro nabíječku baterií chraňte před prachem a jinými nečistotami.
- V případě jakýchkoli problémů, když nelze baterii nabíjet podle následujících pokynů, se obraťte na specializovaného prodejce.

Veškeré informace o indikaci stavu baterie naleznete v odst. 3.7.

- i** Není-li nabíječka baterií používána, doporučujeme ji odpojit od elektrické sítě. Tím nedojde ke zbytečné spotřebě energie.

Před nabíjením vždy ověřte, že baterie není poškozená. Zapněte baterii stisknutím tlačítka ukazatele nabití na dobu 2 sekund. Nerozsvítí-li se žádná kontrolka ukazatele nabití, baterie může být poškozená. Svítí-li alespoň jedna, ale ne všechny kontrolka ukazatele nabití, před prvním použitím baterii plně nabijte.

Poškozenou baterii nenabíjejte ani nepoužívejte; obraťte se na specializovaného prodejce.



Před prvním použitím baterie ji zcela nabijte pomocí nabíječky, aby byla zajištěna její plná kapacita. Baterii lze dobíjet kdykoli, když je vložena ve vozíku nebo když je z vozíku vyjmuta.

Pokyny k nabíjení baterie:

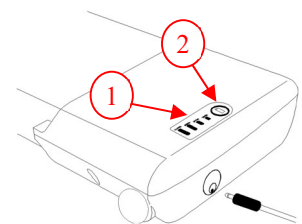
1. Vypněte baterii.
2. Pokud chcete, vyjměte baterii z krytu. Zabraňte vniknutí nečistot či kapalin do nabíjecí zásuvky.
3. Zapojte zástrčku nabíječky do bateriového modulu ①.
4. Zapojte síťovou zástrčku nabíječky do elektrické zásuvky.
5. Kontrolka na nabíječce baterií bude ukazovat stav nabíjecího procesu:
 - Červená – Nabíjení
 - Zelená – Pohotovostní režim / plně nabitá
6. Jakmile je baterie plně nabitá, odpojte zástrčky nabíječky baterií z elektrické zásuvky a od baterie.

3.7.1 Ukazatel nabití baterie

K dispozici jsou dva ukazatele nabití baterie:

Na bateriovém modulu:

1. Stiskněte tlačítko ② na bateriovém modulu.
2. Kontrolky na ukazateli nabití baterie ① ukážou úroveň nabití baterie.



Ovládací konzola:

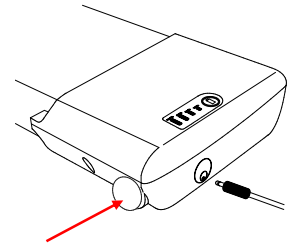
Po zapnutí elektrického systému bude ukazatel baterie (2, odst. 3.3) ukazovat úroveň nabití baterie.

- Všechny kontrolky svítí: baterie je plně nabitá.
- Svítí nebo bliká pouze červená kontrolka: baterii okamžitě dobijte.

Kvůli zapojení vodičů se mohou obě indikace trochu lišit. V takovém případě se řiďte indikací nejnižší úrovně nabití.

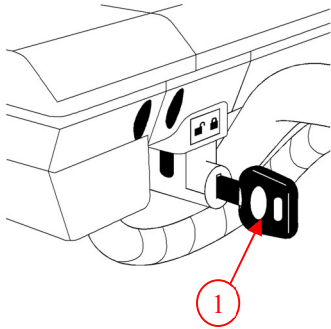
3.8 Zapnutí/vypnutí elektrického zařízení

Stiskněte vypínač na boku baterie.



3.9 Montáž/demontáž baterie

Baterii lze demontovat, aby ji bylo možné snadno dobít mimo vozík.



Montáž baterie:

1. Zasuňte klíč ① a otočte jím směrem k symbolu odemknutí.
2. Vložte baterii do prostoru pro baterii co možná nejdále. Existuje pouze 1 možný způsob vložení baterie.
3. Otočte klíčem ① k symbolu zamknutí.
4. Ověřte, že je baterie řádně zajištěna.
5. Vytáhněte klíč ①. (Klíč nikdy nevytahujte za jízdy.)

Demontáž baterie:

1. Zasuňte klíč ①.
2. Otočte klíčem ① k symbolu odemknutí.
3. Opatrně vytáhněte baterii z prostoru pro baterii.

4 Údržba

4.1 Interval údržby/servisu



UPOZORNĚNÍ

Riziko zranění a poškození

Opravy a výměny smějí provádět pouze vyškolené osoby. Přitom je třeba používat pouze originální náhradní díly společnosti Vermeiren.

i Poslední stránka tohoto návodu obsahuje registrační formulář pro specializovaného prodejce, který zapíše každý servis.

Servisní intervaly závisejí na intenzitě a frekvenci používání. Domluvte si s prodejcem rozvrh kontrol/údržby/servisu/oprav.

Ohledně údržby/servisu si přečtěte návod k obsluze příslušné nabíječky baterií.

Návod k údržbě naleznete na webových stránkách společnosti Vermeiren: www.vermeiren.com.

Před každým použitím

Zkontrolujte následující:

- Všechny díly: přítomné, nepoškozené a neopotřeбенé.
- Všechny díly: čisté, viz odst. 4.2.2.
- Kola, sedadlo, loketní opěrky, podnožky a opěrka hlavy (je-li použita): řádně upevněné.
- Stav baterie: v případě potřeby nabijte baterii, viz odst. 3.7.
- Ovládací konzola, baterie, napájecí modul, motory, nabíječka baterií, kontrolky a příslušné kabely: žádné poškození, jako jsou roztřepené, zlomené či odkryté vodiče.
- Stav kol/pneumatik, viz odst. 4.2.1.
- Stav součástí rámu: žádná deformace, nestabilita, zeslabení nebo uvolněné spoje.
- Sedadlo, opěradlo, područky, lýtkové opěrky a hlavová opěrka (pokud se používají): žádné nadměrné opotřebení (například promáčkliny, poškození nebo trhliny).

Ohledně oprav či výměny dílů se obraťte na specializovaného prodejce.

Každý měsíc

Je-li invalidní vozík delší dobu skladován, musíte nabíjet baterie každý měsíc. Během této doby je také možné nechat nabíječku baterií připojenou k baterii a k elektrické síti. Další informace naleznete v odst. 3.7.

Ročně nebo častěji

Alespoň jednou ročně nebo častěji tento invalidní vozík vezměte ke specializovanému prodejci kvůli kontrole a provedení servisu. Minimální četnost údržby závisí na používání, a proto by měla být společně dohodnuta se specializovaným prodejcem.

Při skladování

Zajistěte, aby byl invalidní vozík skladován v suchém prostředí, kde nemůže dojít k výskytu plísní nebo k poškození čalounění.

4.2 Pokyny pro údržbu/servis

4.2.1 Kola a pneumatiky

i Správná funkce brzd závisí na stavu pneumatik, který se může měnit kvůli opotřebení a znečištění (voda, olej, bláto atd.).

- Zajistěte, aby na kolech nebyly dráty, vlasy, písek a vlákna.
- Zkontrolujte vzorek na pneumatikách. Je-li hloubka dezénu menší než 1 mm, musí být pneumatiky vyměněny. Obraťte se v této věci na specializovaného prodejce.

4.2.2 Čištění

UPOZORNĚNÍ

Riziko poškození vlhkostí

- Udržujte ovládací konzolu čistou a chraňte ji před vodou a deštěm.
- K čištění invalidního vozíku nikdy nepoužívejte hadici ani vysokotlaký čistič.

Otřete všechny pevné části invalidního vozíku vlhkým (nikoli mokrým) hadříkem. V případě potřeby použijte jemné mýdlo vhodné na laky a syntetické barvy.

Čalounění lze vyčistit vlažnou vodou a jemným mýdlem. K čištění nepoužívejte abrazivní čisticí prostředky.

Větrací otvory nabíječky baterií udržujte čisté a bez nahromaděného prachu. V případě potřeby otřete prach a vyčistěte pouzdro nabíječky baterií mírně navlhčeným hadříkem.

4.2.3 Dezinfekce

UPOZORNĚNÍ

Riziko poškození

Dezinfekci mohou provádět pouze kvalifikované osoby. Poradte se se specializovaným prodejcem.

4.3 Řešení problémů

I když tento invalidní vozík používáte správně, může dojít k technickému problému.

V takovém případě se obraťte na místního specializovaného prodejce.

**VAROVÁNÍ**

Riziko zranění a poškození invalidního vozíku

- NIKDY se nepokoušejte opravit invalidní vozík sami.
- V případě závad v ovládací konzole se musíte obrátit na specializovaného prodejce. Ten rozhodne, zda-li je potřeba ovládací konzolu přeprogramovat.

V případě selhání se na ovládací konzole zobrazí chybový kód, viz odst. 5.

Následující příznaky mohou znamenat vážný problém. Proto se obraťte na specializovaného prodejce vždy, když zaznamenáte některou z následujících odchylek:

- divný zvuk;
- roztřepené/poškozené kabelové svazky;
- prasklé či rozbité konektory;
- nerovnoměrné opotřebení dezénu na jedné z pneumatik;
- trhivé pohyby;
- invalidní vozík se vychyluje na jednu stranu;
- poškozená či rozbitá kola a jejich zavěšení;
- invalidní vozík se nezapíná (spálená pojistka);
- invalidní vozík je napájen, ale nehýbe se, viz 3.4.

4.4 Životnost výrobku

Průměrná životnost tohoto invalidního vozíku je 5 let. V závislosti na četnosti použití, jízdních podmínkách a údržbě se životnost tohoto invalidního vozíku prodlouží nebo zkrátí.

4.5 Další použití výrobku

Před dalším použitím jinou osobou nechte vozík dezinfikovat, zkontrolovat a provést servis podle pokynů v odst. 4.1 a odst. 4.2.

4.6 Likvidace výrobku

Po skončení životnosti musí být invalidní vozík zlikvidován podle místní legislativy pro životní prostředí. Nejlepším způsobem likvidace je rozebrání invalidního vozíku pro usnadnění přepravy recyklovatelných součástí.

5 Řešení problémů



VAROVÁNÍ

Nebezpečí zranění a poškození ovládací konzole nebo invalidního vozíku

- NIKDY se nepokoušejte sami opravit ovládací konzolu.
- Při závadách ovládací konzoly musíte kontaktovat specializovaného prodejce. Ten rozhodne, jestli je nutné konzolu přeprogramovat.

V případě možného problému se blikáním kontrolky ukazatele stavu baterie zobrazí systémový kód, viz odst. 3.3 (2). Možné systémové kódy jsou uvedeny v následující tabulce. Některé problémy můžete vyřešit sami. Při všech problémech označených šedě se poraďte se specializovaným prodejcem.

Tabulka 2: Řešení problémů

Kód	Problém	Význam
1	Vybitá baterie / špatné připojení baterie	Zkontrolujte připojení baterií. Pokud je připojení v pořádku, zkuste baterie nabít.
2	Špatné připojení levého motoru nebo kodéru	Zkontrolujte připojení k levému motoru a kodéru.
3	Závada na kabeláži levého motoru / vypnutí motoru	
4	Špatné připojení pravého motoru nebo kodéru	Zkontrolujte připojení k pravému motoru a kodéru.
5	Závada na kabeláži pravého motoru / vypnutí motoru	
7	Porucha joysticku	Před zapnutím ovladače zkontrolujte, že je joystick ve středové poloze.
7 + S ¹	Chyba v komunikaci	Zkontrolujte, že je kabel modulu joysticku řádně připojený a že není poškozený.
8	Možná porucha ovladače	Zkontrolujte, že jsou v pořádku všechna připojení.
9	Špatné připojení parkovací brzdy	Zkontrolujte připojení parkovací brzdy a motoru. Zkontrolujte, že jsou v pořádku připojení ovladače.
10	Nadměrné napětí	Nadměrné napětí je obvykle způsobeno špatným připojením baterie. Zkontrolujte připojení baterie.

¹S = blikající kontrolky ukazatele rychlosti.

6 Technické údaje

Technické údaje uvedené níže platí pouze pro tento invalidní vozík při standardním nastavení a optimálních okolních podmínkách. Během používání berete tyto údaje v úvahu. Pokud byl tento invalidní vozík upraven, poškozen nebo došlo k jeho velkému opotřebení, nebudou tyto hodnoty platné. Berete v potaz, že jízdní výkon je ovlivněn okolní teplotou, vlhkostí, svahy (jízdu nahoru/dolů), typem povrchu a stavem baterie.

Tabulka 1: Technické údaje

Značka	Vermeiren
Typ	Elektrický invalidní vozík, třída A
Model	Verso
Maximální hmotnost uživatele	130 kg

Popis	Rozměry
Celková délka s nožní opěrkou	1078 mm (při nejkratší hloubce sedadla)
Celková šířka (v závislosti na šířce sedadla)	610 mm 630 mm 650 mm 670 mm
Celková výška	937 mm – 1002 mm
Celková hmotnost	31,3 kg
Hmotnost nejtěžší části	Zadní rám: 16,2 kg
Spotřeba energie *	12,8 Ah: 15 km 17,5 Ah: 21 km
Sklon svahu	3°
Překonání překážky	15 mm
Max. rychlost vpřed	6 km/h
Max. brzdná dráha z max. rychlosti	1 m
Úhel roviny sedadla	5°
Efektivní hloubka sedadla	420–480 mm
Efektivní šířka sedadla	440 mm 460 mm 480 mm 500 mm
Výška plochy sedadla u předního okraje	521 mm
Úhel opěradla	5°
Výška opěradla	400 – 420 – 440 – 460 – 480 mm
Vzdálenost nožní opěrky od sedadla	370 – 500 mm
Úhel nohou k ploše sedadla	105°
Vzdálenost loketní opěrky od sedadla	150–210 mm
Přední poloha konstrukce loketní opěrky	322,5 mm – 370 mm
Min. poloměr otáčení	1145 mm
Světlná výška	61 mm
Průměr zadních kol	12"
Typ zadních kol **	PU pneumatiky
Průměr předních kol	200 x 50



Značka	Vermeiren
Typ	Elektrický invalidní vozík, třída A
Model	Verso
Maximální hmotnost uživatele	130 kg

Typ předních kol **	PU pneumatiky
Popis elektrické výbavy	
Baterie	12,8 Ah 17,5 Ah
Hnací motory	2 x 250 W
Pojistka	20 A
Zkoušky pevnosti podle normy	ISO 7176-8
Zkoušky napájecího a řídicího systému podle normy	ISO 7176-14
Vznětlivost čalounění podle normy	EN1021-2:2006
Shoda s EMK	ISO 7176-21
Stupeň ochrany	IPX4
Úroveň hluku	< 65 dB (A)
Teplota pro skladování a používání	+5 °C ~ +41 °C
Provozní teplota pro elektroniku	-10 °C ~ +40 °C
Vlhkost pro skladování a používání	30 % ~ 70 %

Vyhrazujeme si právo provést technické změny. Tolerance měření ±15 mm / 1,5 kg / 1,5°.

*** Teoretický dojezd se sníží při časté jízdě ve svahu, na hrubém povrchu nebo při překonávání obrubníků.**

**** Vzhledem k tomu, že lze použít různé pneumatiky, vždy se informujte o správném provozním tlaku používaných pneumatik. Ohledně jiných průměrů pneumatik se obraťte na specializovaného prodejce.**



Service registration form

This product (name):

was inspected (I), serviced (S), repaired (R) or disinfected (D):

By (stamp): Kind of work: I / S / R / D Date:	By (stamp): Kind of work: I / S / R / D Date:	By (stamp): Kind of work: I / S / R / D Date:
By (stamp): Kind of work: I / S / R / D Date:	By (stamp): Kind of work: I / S / R / D Date:	By (stamp): Kind of work: I / S / R / D Date:
By (stamp): Kind of work: I / S / R / D Date:	By (stamp): Kind of work: I / S / R / D Date:	By (stamp): Kind of work: I / S / R / D Date:
By (stamp): Kind of work: I / S / R / D Date:	By (stamp): Kind of work: I / S / R / D Date:	By (stamp): Kind of work: I / S / R / D Date:
By (stamp): Kind of work: I / S / R / D Date:	By (stamp): Kind of work: I / S / R / D Date:	By (stamp): Kind of work: I / S / R / D Date:



Vermeiren GROUP
Vermeirenplein 1 / 15
2920 Kalmthout
BE

website: www.vermeiren.com