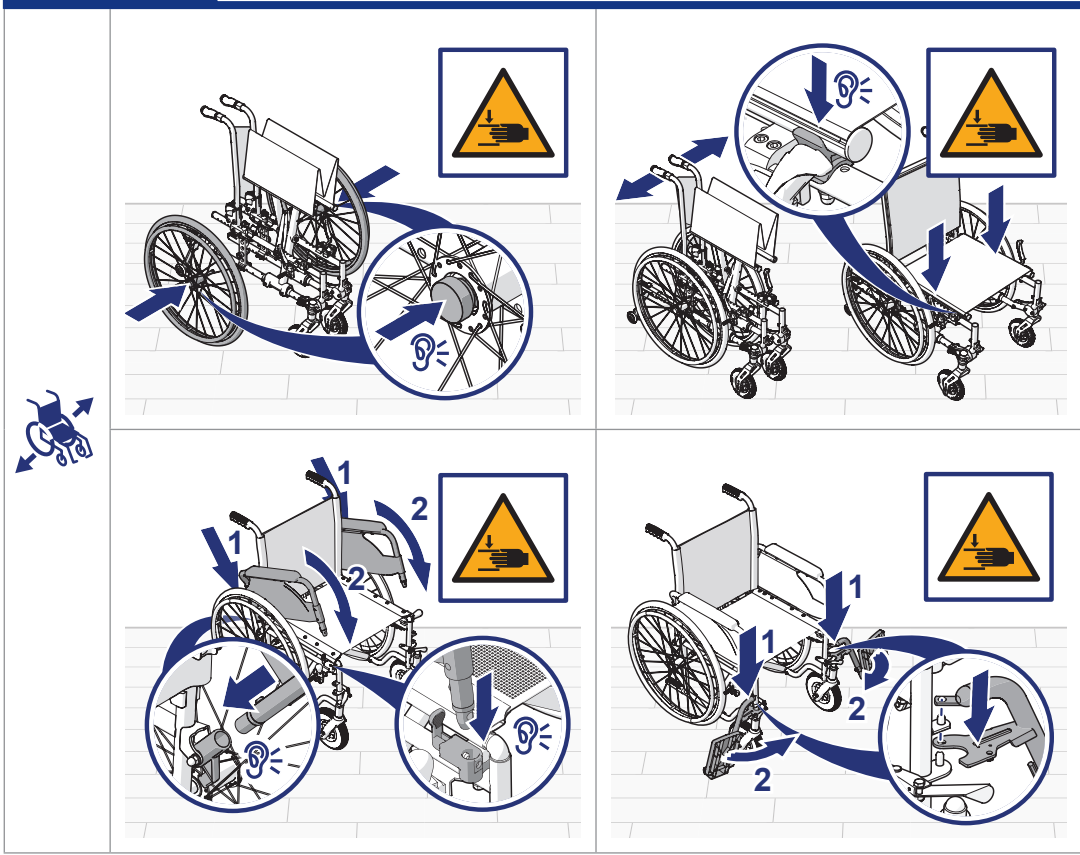
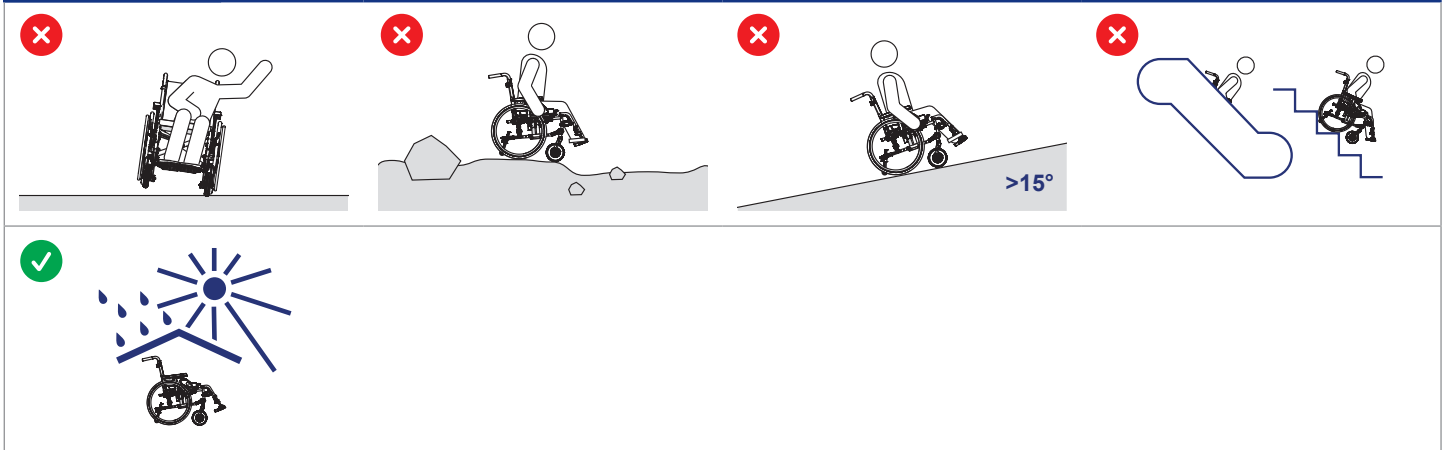




708D

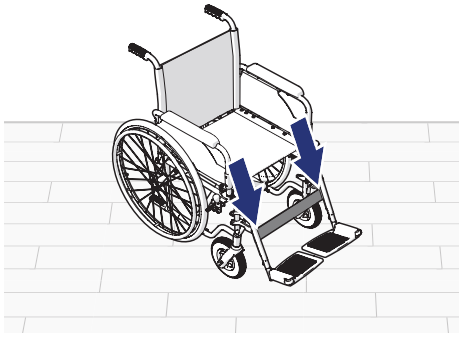
Quick Start Guide

| | | | | |
|--------|------|------|----|--------------|
| CE | TYPE | 708D | MD | Rev. 2026-04 |
| 120 kg | | | | |
| | | | | |



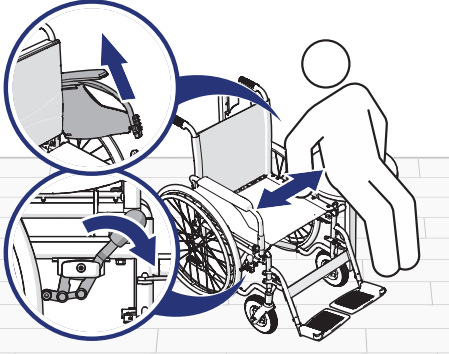
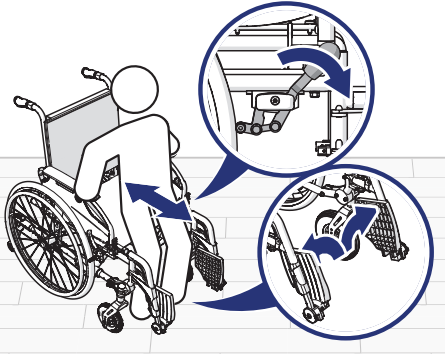
Person icon

Wheelchair icon




Wheelchair icon

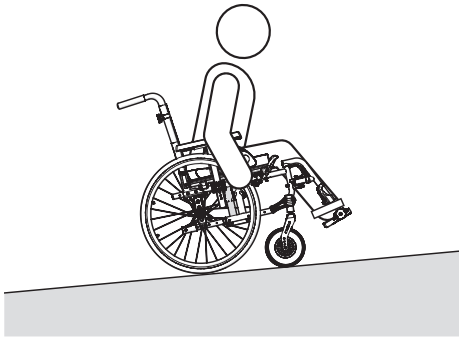
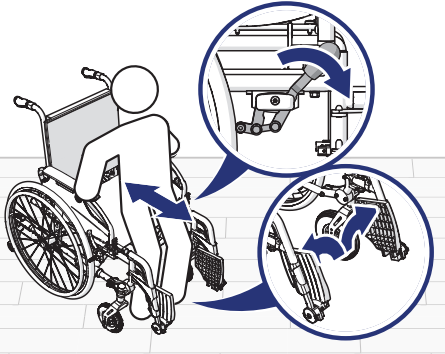
P icon

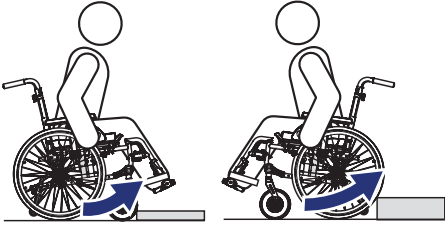
Wheelchair icon



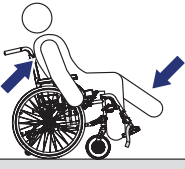
Wheelchair icon

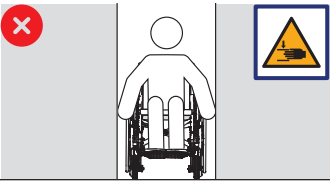
Red X icon

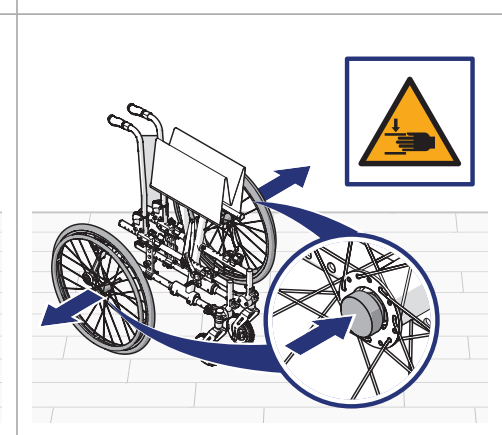
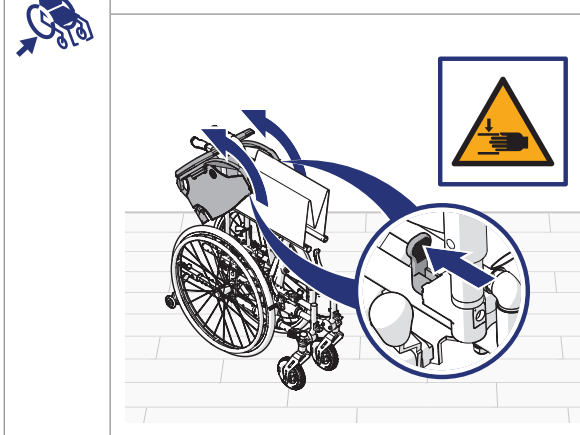
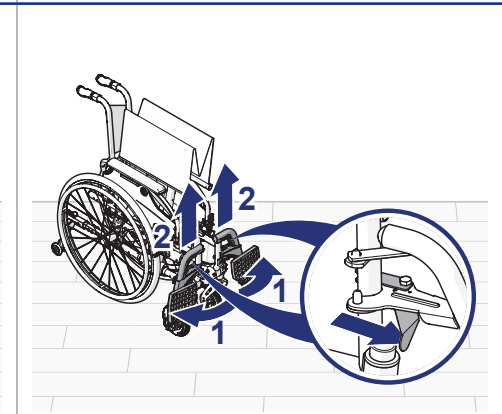
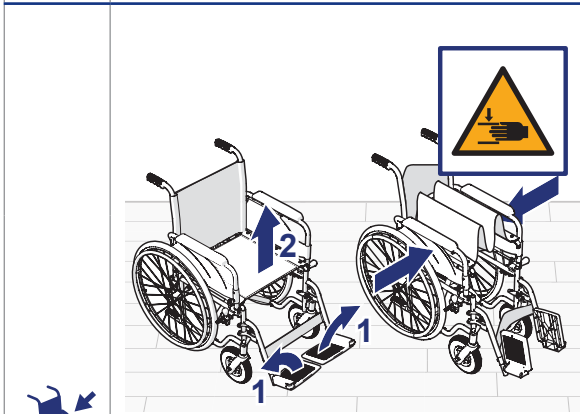
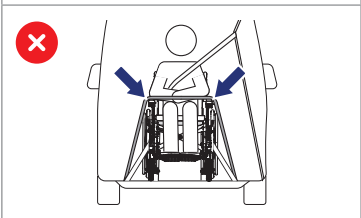
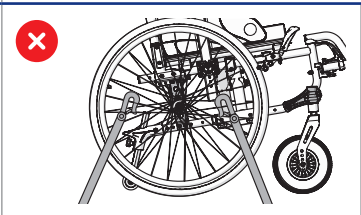
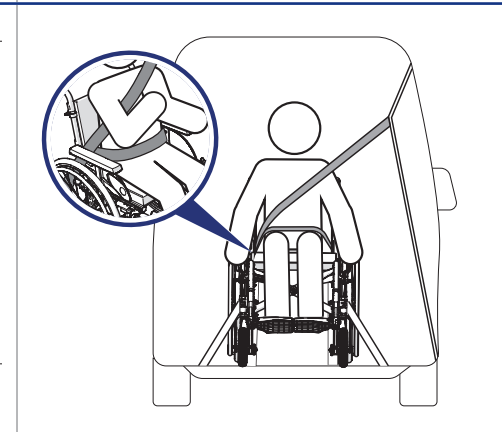
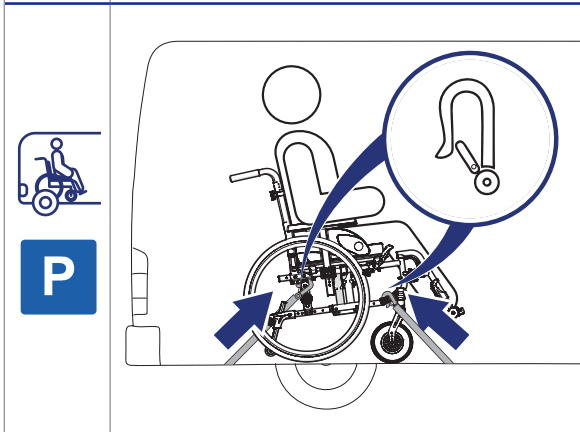
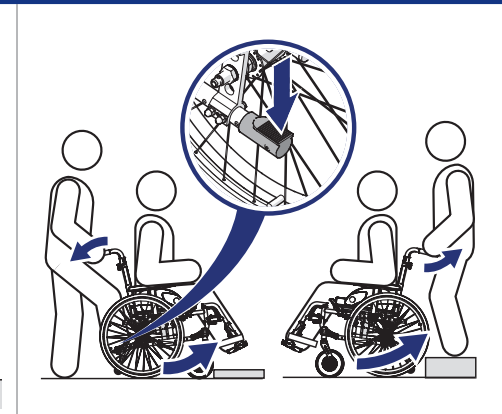



Red X icon



Red X icon





VERMEIREN
we care for you



VERMEIREN GROUP – Vermeirenplein 1-15 – 2920 Kalmthout – BE – www.vermeiren.com

