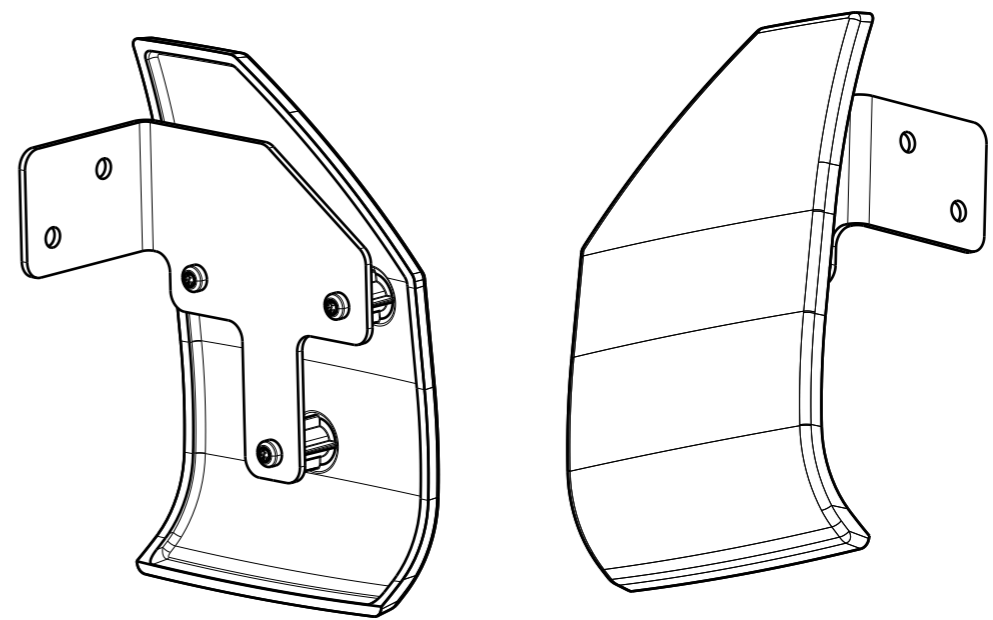
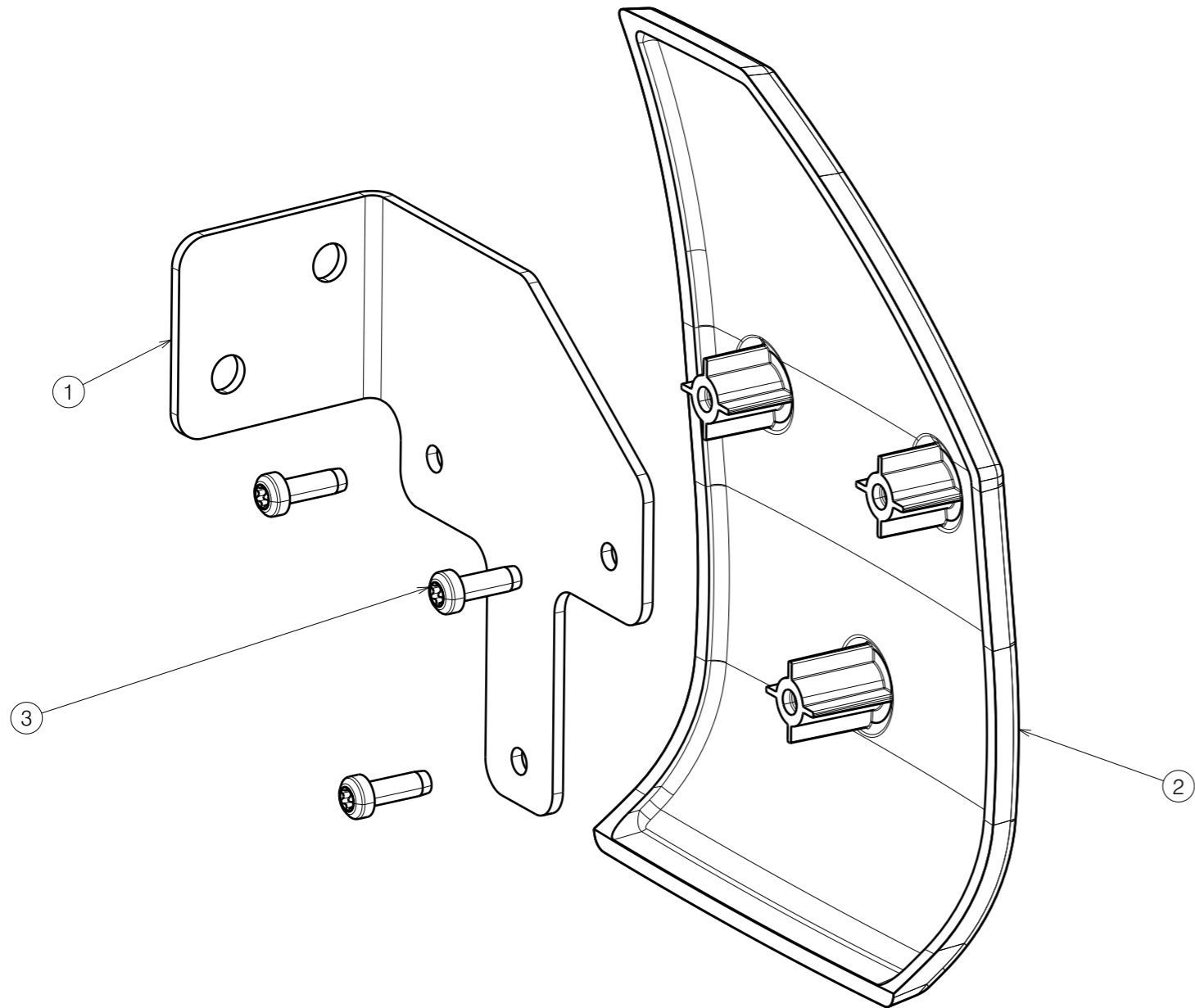


No.	Plan	Article	Qty
1	P00084282	2698004	1
2	P00083914	2998519	1
3	Screw BN 20173 40x12	2998563	3



NOTICE: THE INFORMATION CONTAINED ON THIS DRAWING IS PROPRIETARY TO VERMEIREN GROUP AND SHALL NOT BE DISCLOSED IN WHOLE OR IN PART, OR USED FOR ANY DESIGN OR MANUFACTURE, EXCEPT WHEN SUCH USER POSSESSES DIRECT WRITTEN AUTHORIZATION FROM VERMEIREN GROUP.

SV KUARZ ROD COVER LEFT COMPL.			
Scale:	1:1	Drafted	Verified
Date	05/12/2024	24/04/2025	24/04/2025
Initials	BK	PM	MK

Plan No. E00084837/A.1
