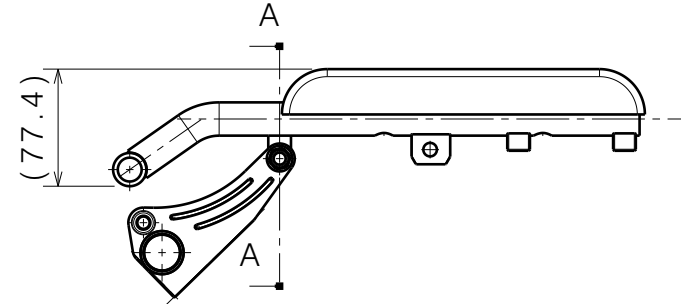
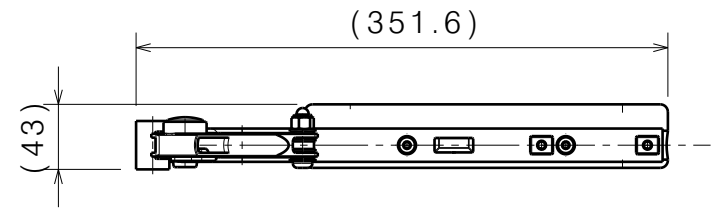
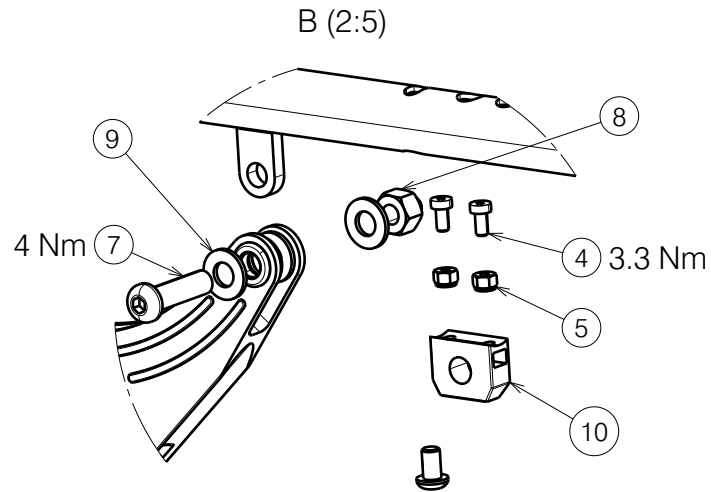
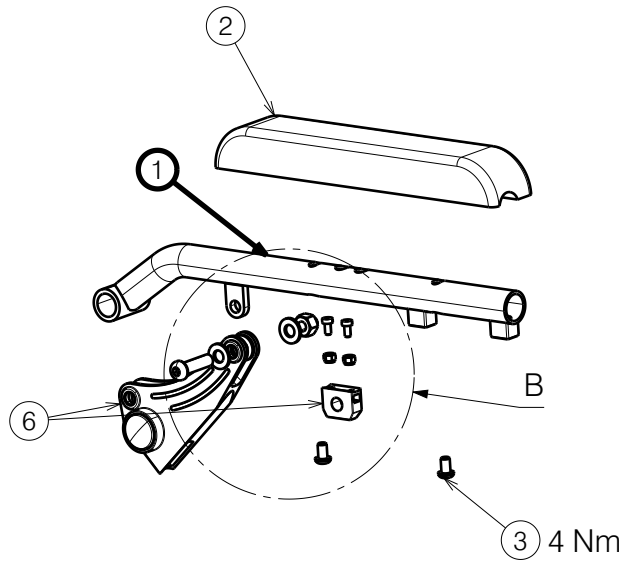
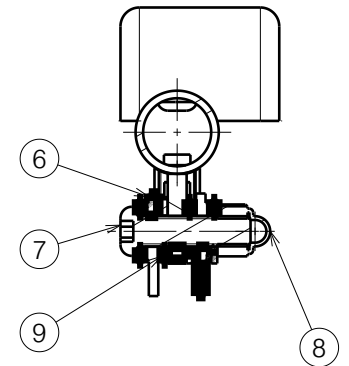


No.	Plan	Article	Qty
1	P00052610	2677565	1
2	X001993	1006045	1
3	M6x10	2994127	2
4	M4x8 DIN7984	1996530	2
5	Nut M4	1907202	2
6	---	3994688	1
7	M8x30 ISO7380	2995396	1
8	Closed nut M8	2995398	1
9	Washer PA6 M8 DIN125	2994415	4



A-A (1:2)



NOTICE: THE INFORMATION CONTAINED ON THIS DRAWING IS PROPRIETARY TO VERMEIREN GROUP AND SHALL NOT BE DISCLOSED IN WHOLE OR IN PART, OR USED FOR ANY DESIGN OR MANUFACTURE, EXCEPT WHEN SUCH USER POSSESSES DIRECT WRITTEN AUTHORISATION FROM VERMEIREN GROUP.

## RIGHT ARMREST PLEGO

Scale:	1:5	Drafted	Verified	Confirmed
Date	30/06/2023	07/11/2023	07/11/2023	
Initials	BK	BK	WM	

---  
Plan No.  
E00063644/B.1

