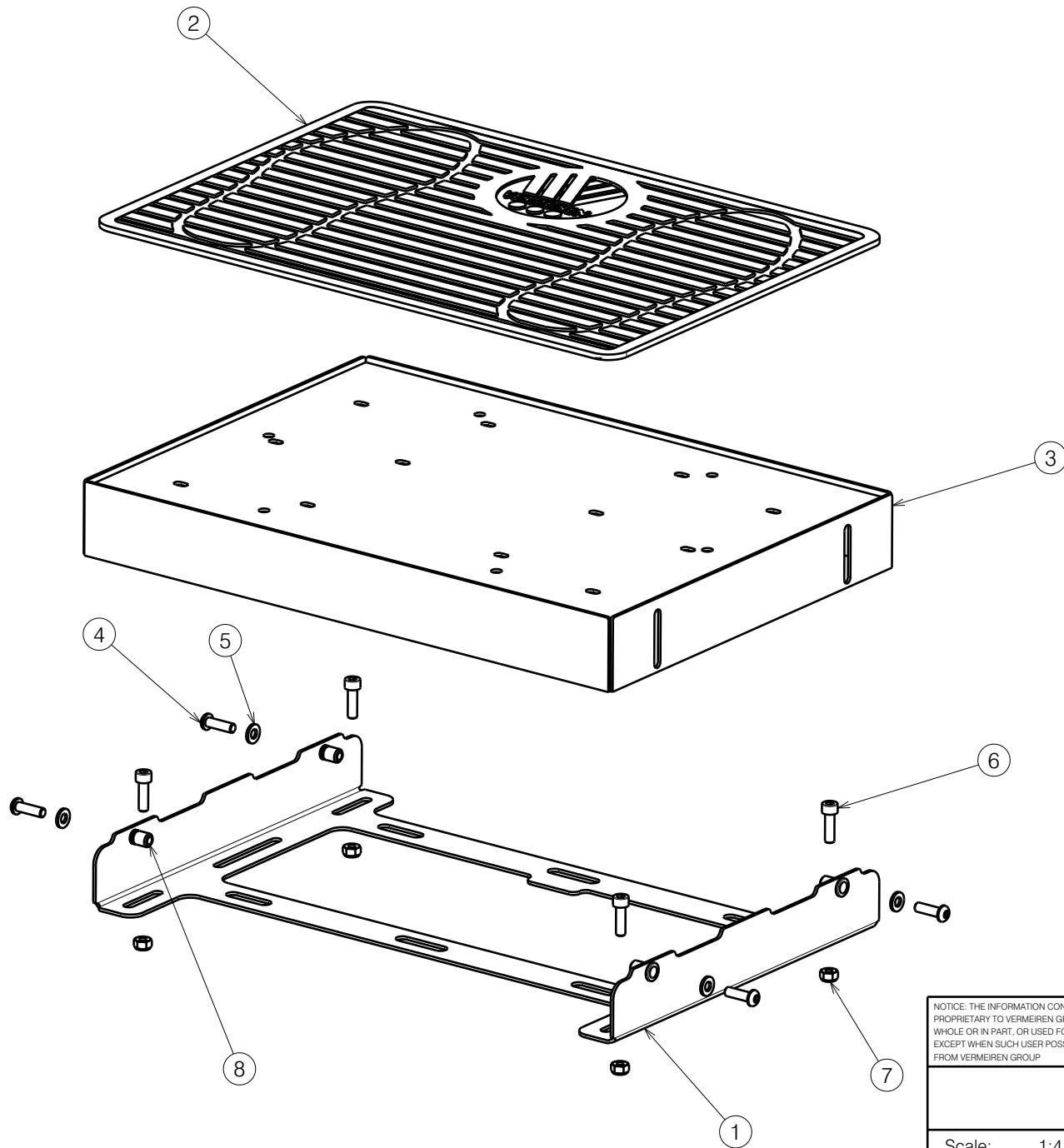


No.	Plan	Article	Qty
1	P00122928	2924704	1
2	XC00496	3991982	1
3	Y023674	2072954	1
4	SCREW M6X20 ISO7380	1006999	4
5	WASHER M6 DIN125	1001564	4
6	SCREW M6X20 DIN912	1001493	4
7	NUT M6 DIN985	1001680	4
8	Tubtara M6	1911275	4



NOTICE: THE INFORMATION CONTAINED ON THIS DRAWING IS PROPRIETARY TO VERMEIREN GROUP AND SHALL NOT BE DISCLOSED IN WHOLE OR IN PART, OR USED FOR ANY DESIGN OR MANUFACTURE, EXCEPT WHEN SUCH USER POSSESSES DIRECT WRITTEN AUTHORISATION FROM VERMEIREN GROUP.

SW84 FOOT PLATE KUARZ			
Scale:	1:4	Drafted	Verified
Date	25/03/2026	25/03/2026	25/03/2026
Initials	BK	MK	MK

Plan No. E00122927/A.1
