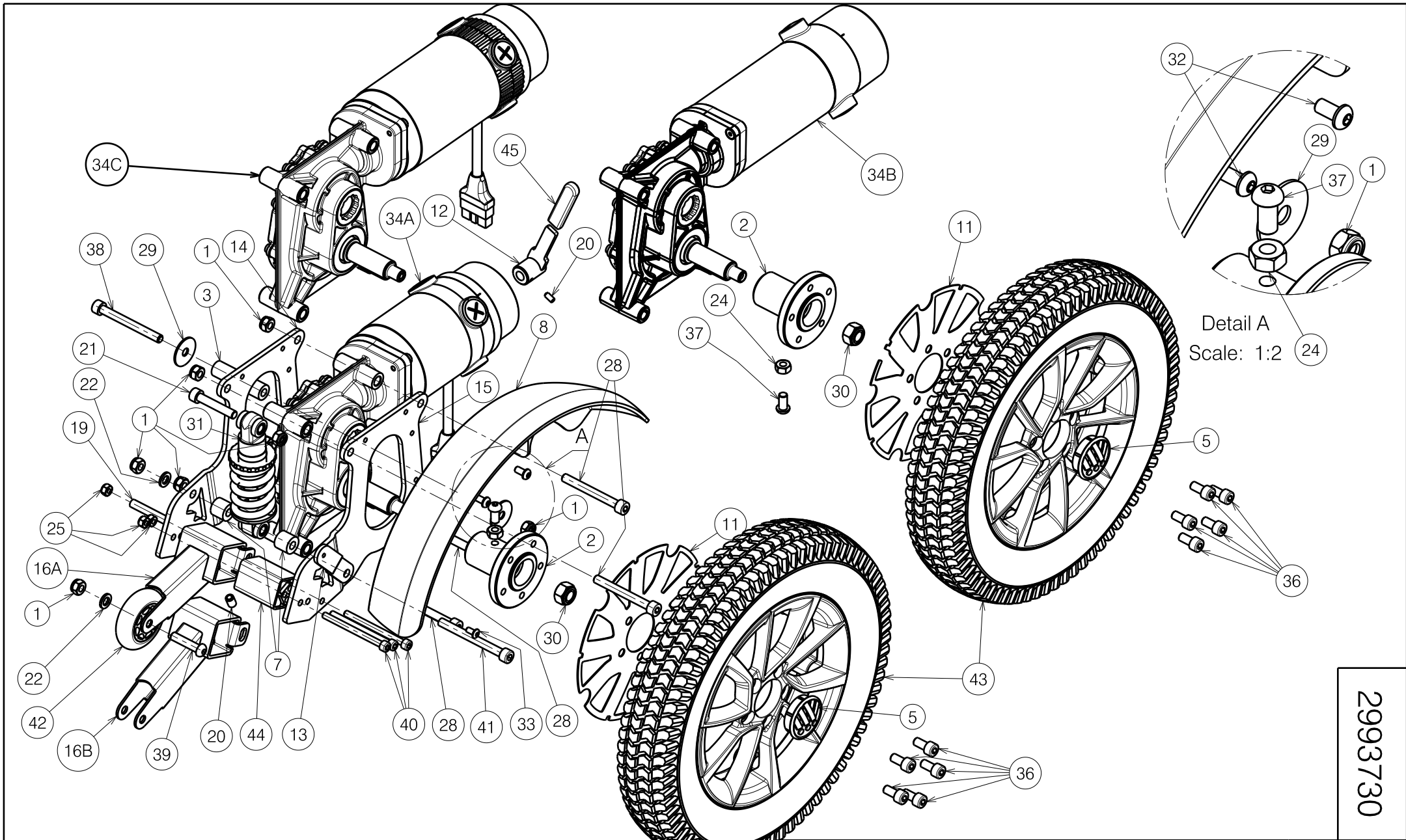


2993730

FOREST 3* MOTOR SYSTEM Sheet 1/3 Left Side				Plan No.
				E001109 / G
Scale: 1:5	Drafted	Verified	Confirmed	
Date	04/07/2018	01/04/2021	01/04/2021	
Initials	SD	SD	PJ	

E001109 / G



E001109 / G

2993730


<p>FOREST 3* MOTOR SYSTEM Sheet 2/3 Right Side</p>				Plan No.
				E001109 / G
Scale: 1:5	Drafted	Verified	Confirmed	
Date	04/07/2018	01/04/2021	01/04/2021	
Initials	SD	SD	PJ	

Material							
No.	Plan	Article	Quantity	No.	Plan	Article	Quantity
1	X001016	1001682	14	31	---	1999843	2
2	X005809	2050004	2	32	M6x12 ISO7380	1007000	4
3	X004956	1772600	2	33	M5x10 ISO7380	1007063	10
5	X005083	1908680	2	34A	350W - 10 km/h	1904170	1
6	X005103	1909385 (L)	1	34B	220W - 6 km/h	1916563	1
7	X005136	1910092	4	34C	550W - 14 km/h	1916470	1
8	X005307	1910091 (R)	1	35A	350W - 10 km/h	1904171	1
11	Y023085	20529..	2	35B	220W - 6 km/h	1916564	1
12	Y015177	1734254	2	35C	550W - 14 km/h	1916471	1
13	Y019328	1798954	2	36	M8x16 DIN912	1915411	10
14	Y019467	1790754	2	37	M8x16 ISO7380	1991858	2
15	Y019468	1790854	2	38	M8x75 DIN912	1992973	2
16A	Y019749	1790654	2	39	M8x35 ISO7380	1993236	2
16B	Y023606	2063954	2	40	M6x75 DIN912	1993413	6
19	Y020660	2003500	2	41	M8x80 DIN912	1998467	2
20	M5x10 DIN916	1001485	2	42	---	1999844	2
21	M8x45 DIN912	1003110	2	43	Grey block	1915153	2
22	M8 DIN125B	1001556	4		Black block	1915154	2
24	M8 DIN934	1001671	2		Black line left	1915155	1
25	M6 DIN985	1001680	10		Black line right	1915156	1
26	M12 DIN985	1001684	3		Black R-fill block	1915157	2
27	M8X12 DIN916	1004885	2	44	---	2990569	2
28	M8x70 DIN912	1005289	8	45	---	1007521	2
29	M8	1005900	4				
30	M12x1.5 DIN985	1993736	2				

16B for use with SE42 / SE43

2993730

E001109 / G

FOREST 3* MOTOR SYSTEM				Plan No.
Sheet 3/3				E001109 / G
Scale: 1:5	Drafted	Verified	Confirmed	
Date	04/07/2018	01/04/2021	01/04/2021	
Initials	SD	SD	PJ	