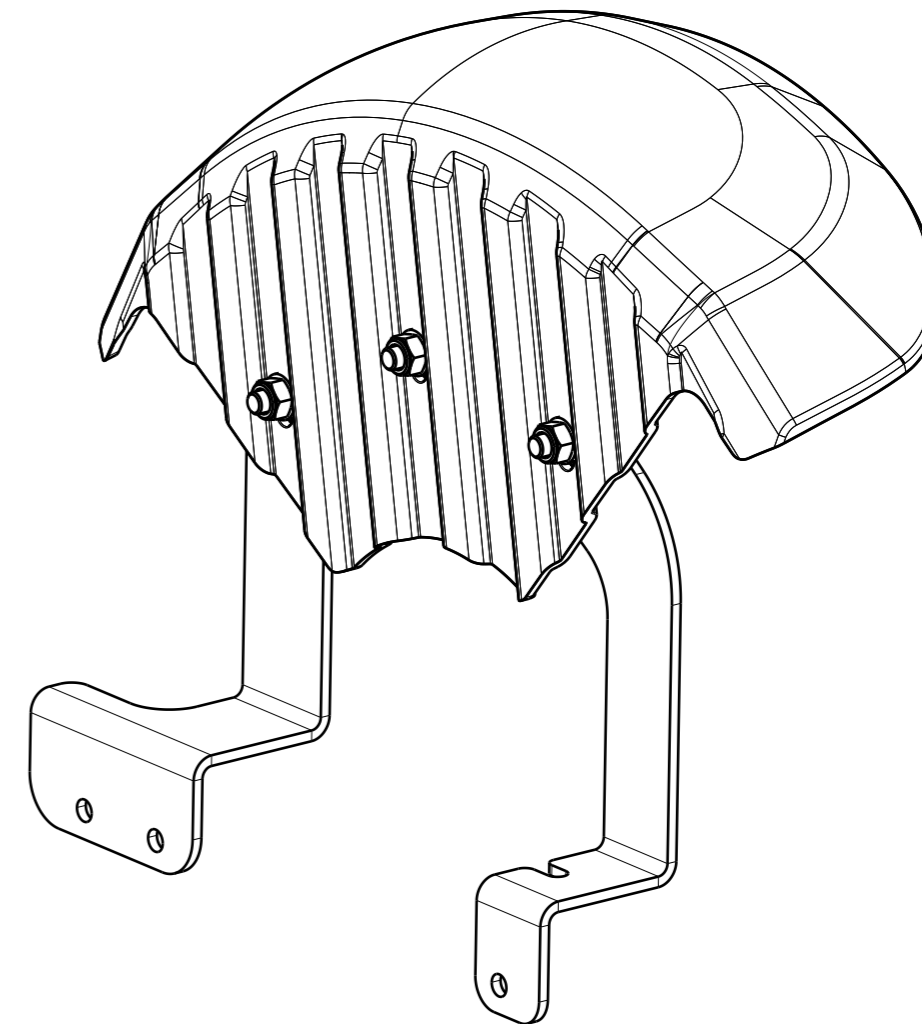
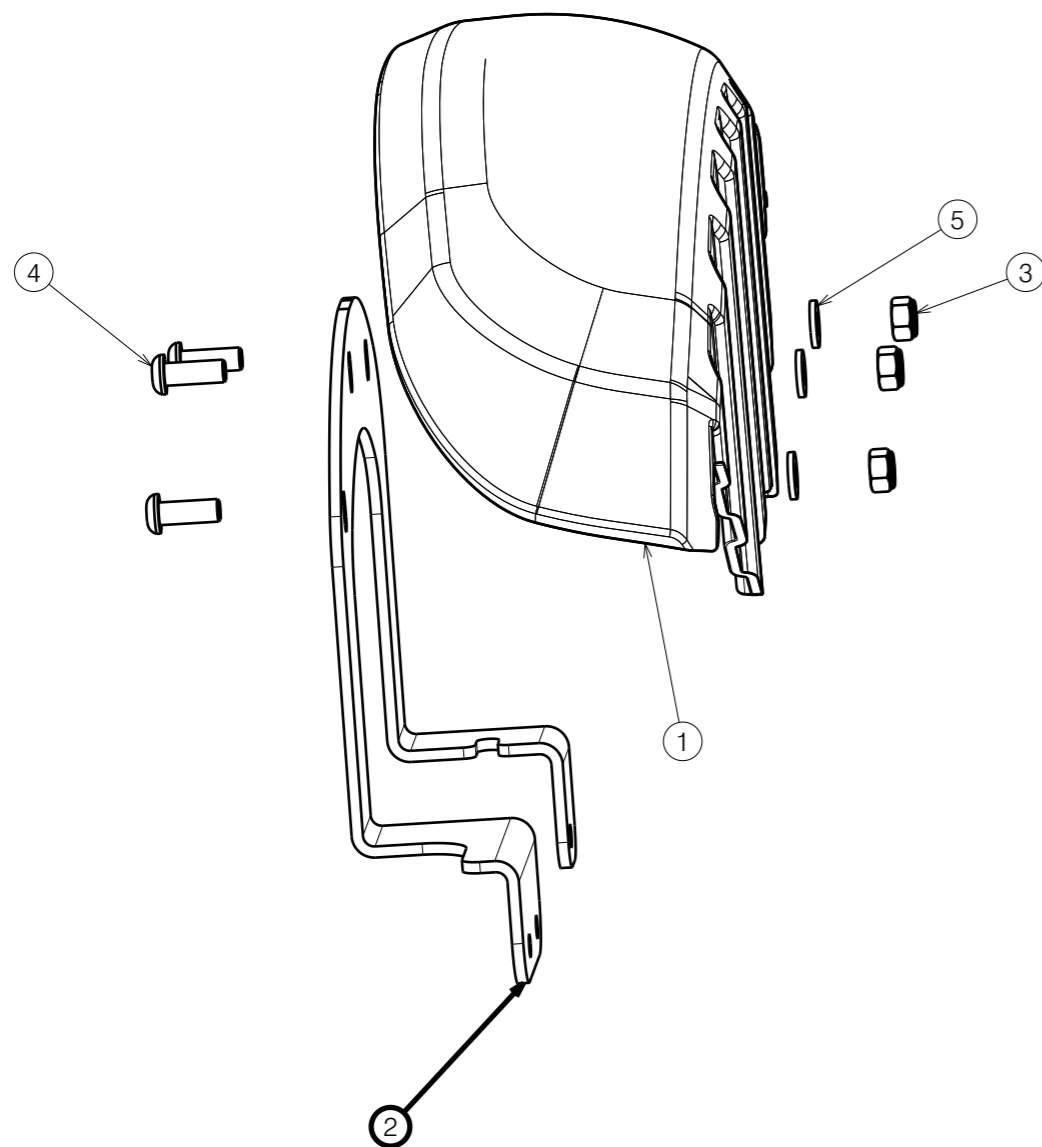


No.	Plan	Article	Qty
1	P00073586	29996...	1
2	P00082499	2697304	1
3	Nut M6	3991110	3
4	Screw M6x16	2994067	3
5	Washer M6	2994414	3



NOTICE: THE INFORMATION CONTAINED ON THIS DRAWING IS PROPRIETARY TO VERMEIREN GROUP AND SHALL NOT BE DISCLOSED IN WHOLE OR IN PART, OR USED FOR ANY DESIGN OR MANUFACTURE, EXCEPT WHEN SUCH USER POSSESSES DIRECT WRITTEN AUTHORIZATION FROM VERMEIREN GROUP.

<b>SV KUARZ REAR RIGHT FENDER</b>			
Scale:	1:2	Drafted	Verified
Date	04/12/2024	24/02/2026	24/02/2026
Initials	BK	PM	MK

---

Plan No.  
E00082508/D.1

