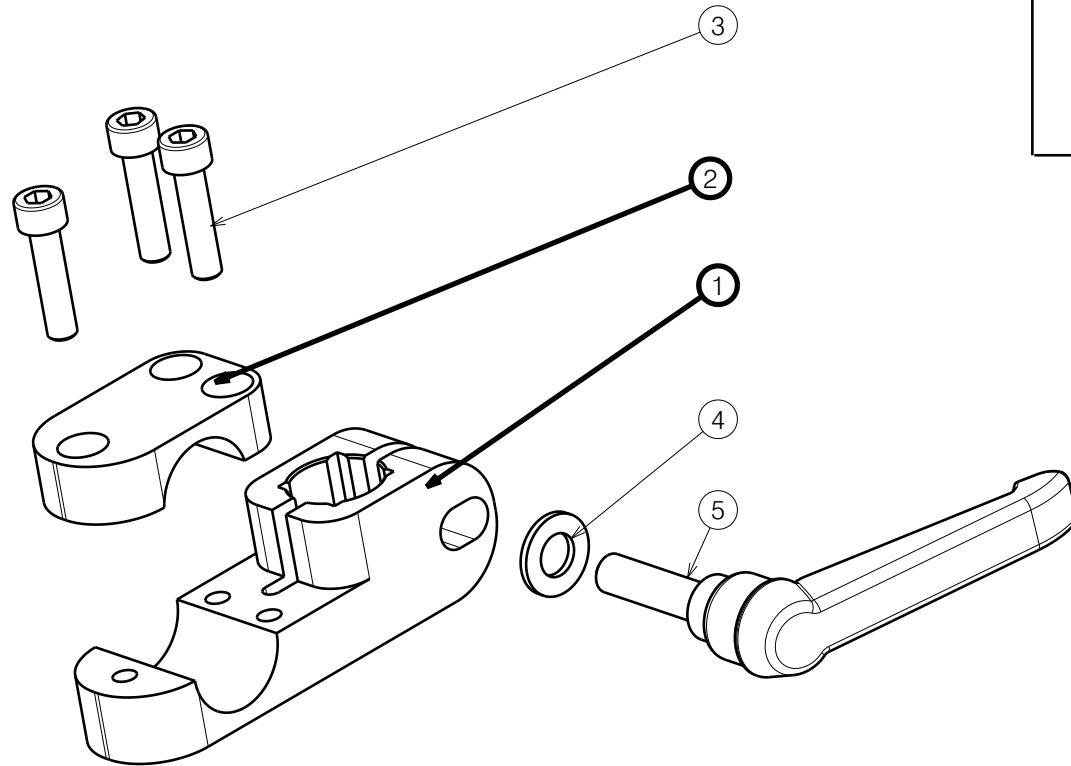


Material			
No.	Plan	Article	Quantity
1	XP01417	2706799 (D22)	1
	X005632	2037299 (D25.4)	1
2	XP01418	2706899 (D22)	1
	X005633	2037399 (D25.4)	1
3	---	1001494	3
4	---	1001554	1
5	---	1005860	1
6*	---	3990054	1



\* not depicted

EP00216 / D

UNIVERSAL ALU CLAMP				Plan No.
				EP00216/ D
Scale: 2:3	Drafted	Verified	Confirmed	
Date	06/04/2016	2/01/2024	2/01/2024	
Initials	KR	PM	AS	