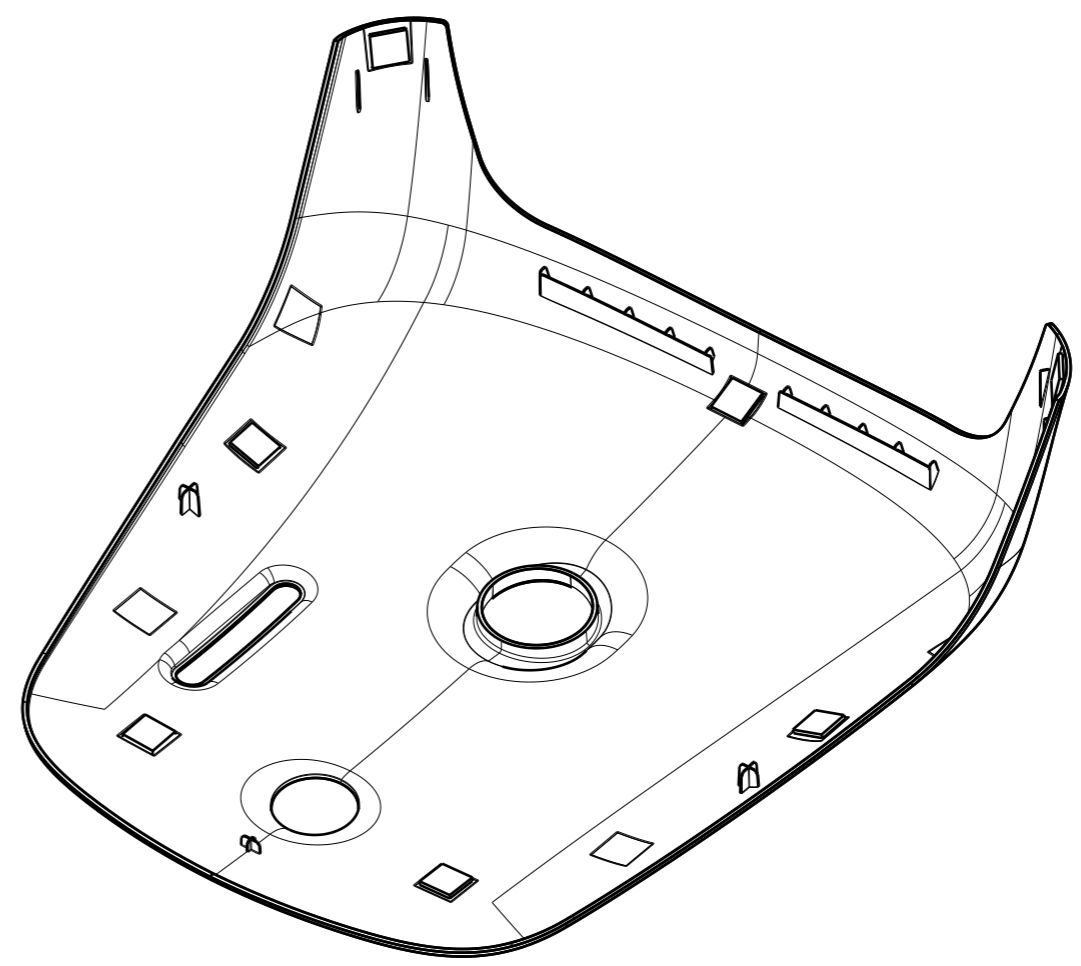
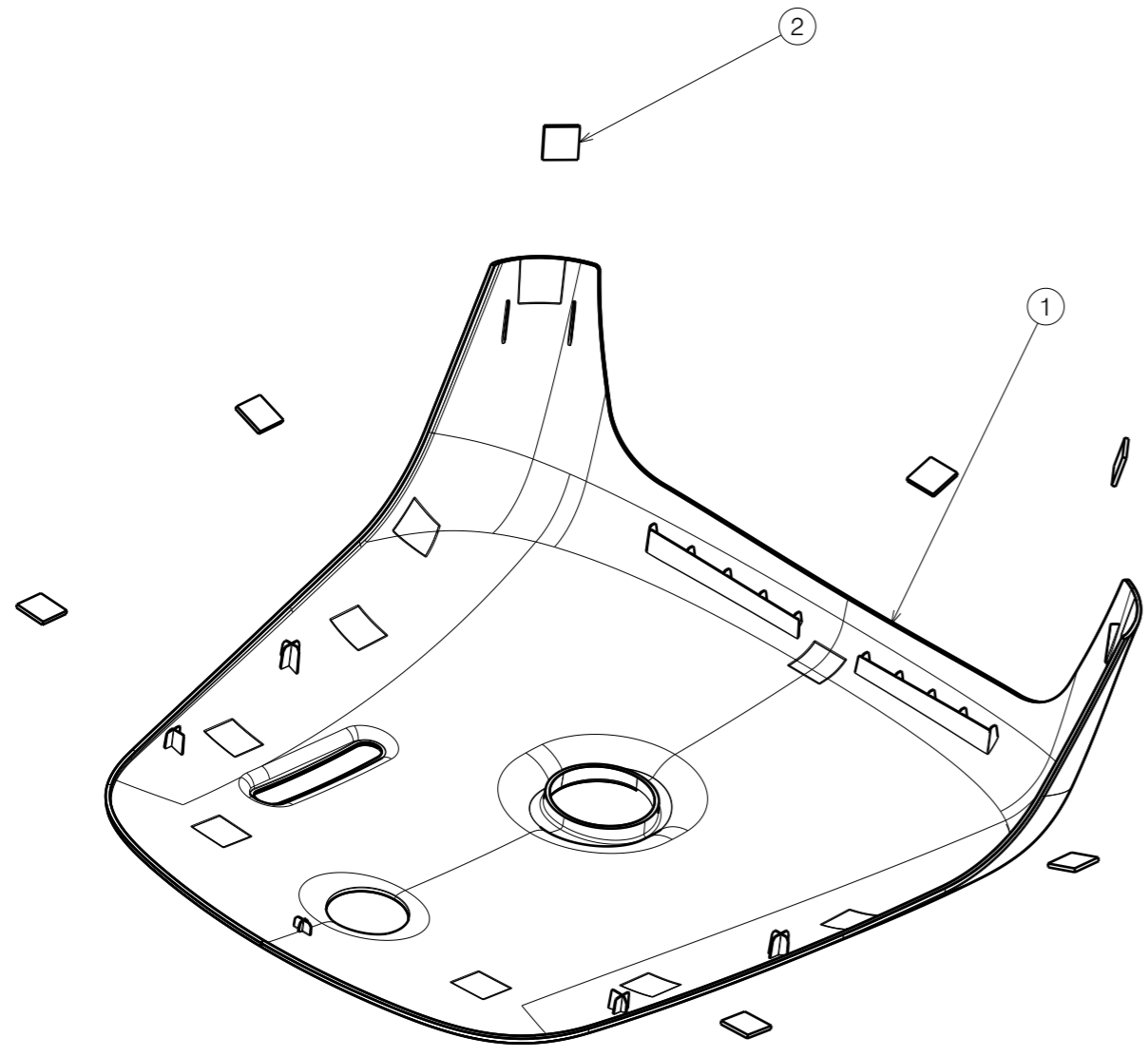


| No. | Plan | Article | Qty |
|-----|--------------------------|----------|-----|
| 1 | P00071986 | 29989... | 1 |
| 2 | 3M Dual lock 25x25 mm | 2998521 | 7 |



- Before stick 3M Dual Lock prepare surface on plastic part:
1. Roughen the surface by abrasive pad
 2. Clean surface with Isopropyl Alcohol (IPA), propan-2-OL.
 3. Press 3M Dual Lock after stick

NOTICE: THE INFORMATION CONTAINED ON THIS DRAWING IS PROPRIETARY TO VERMEIREN GROUP AND SHALL NOT BE DISCLOSED IN WHOLE OR IN PART, OR USED FOR ANY DESIGN OR MANUFACTURE, EXCEPT WHEN SUCH USER POSSESSES DIRECT WRITTEN AUTHORIZATION FROM VERMEIREN GROUP.

| | | | |
|---------------------------------------|------------|------------|------------|
| SV KUARZ BATTERY COVER COMPLET | | | |
| Scale: 1:5 | Drafted | Verified | Confirmed |
| Date | 02/12/2024 | 02/12/2024 | 02/12/2024 |
| Initials | BK | ML | TK |

Plan No.
E00094477/A.1

