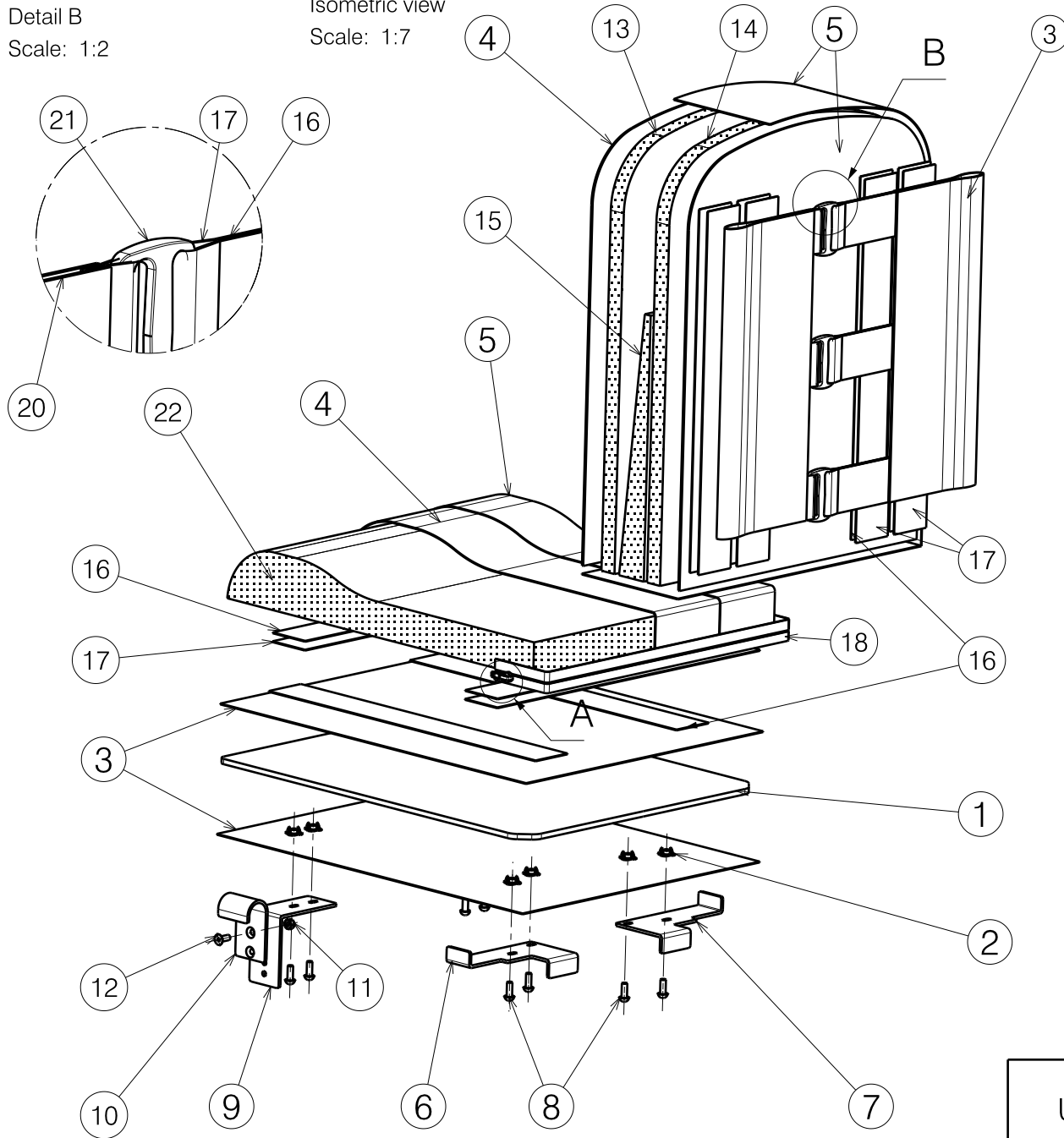
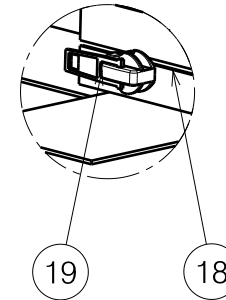


Detail B
Scale: 1:2

Isometric view
Scale: 1:7



Detail A
Scale: 1:2



Material/Matweraal			
No.	Plan	Article	Number
1	X002970	H7502 (39)	1
	X002971	H7503 (44)	
	X002972	H7504 (50)	
2		1992234	8
3		1994137	
4		2990440	
5		2990337	
6	Y004980	15313	1
7	Y004981	15314	1
8	M6x16	1008459	12
9	Y003879	14935	2
10	Y004853	15278	2
11	M6	1001680	2
12	M6x16	1994752	2
13		2990443(39)	1
		2990444 (44)	
		2990445 (50)	
14		2990446 (39)	1
		2990447 (45)	
		2990448 (50)	
15		2994441 (L)	1
		2994442 (R)	1
16		1009791	
17		1009792	
18		1995604	1
19		1995605	1
20		1009520	3
21		1009511	3
22		2990449 (39)	1
		2990450 (44)	
		2990451 (50)	

E000927/A

UPHOLSTERY ANATOM EXPRESS 2009

Plan No. / Nr.rys.

E000927/A

Scale / Skala ---	Drafted / Rysowal	Verified / Sprawdzil	Confirmed / Zatweirdzil
Date / Data	05/03/2009	31/03/2009	31/03/2009
Init. / Inic.	RM	EA	TK

