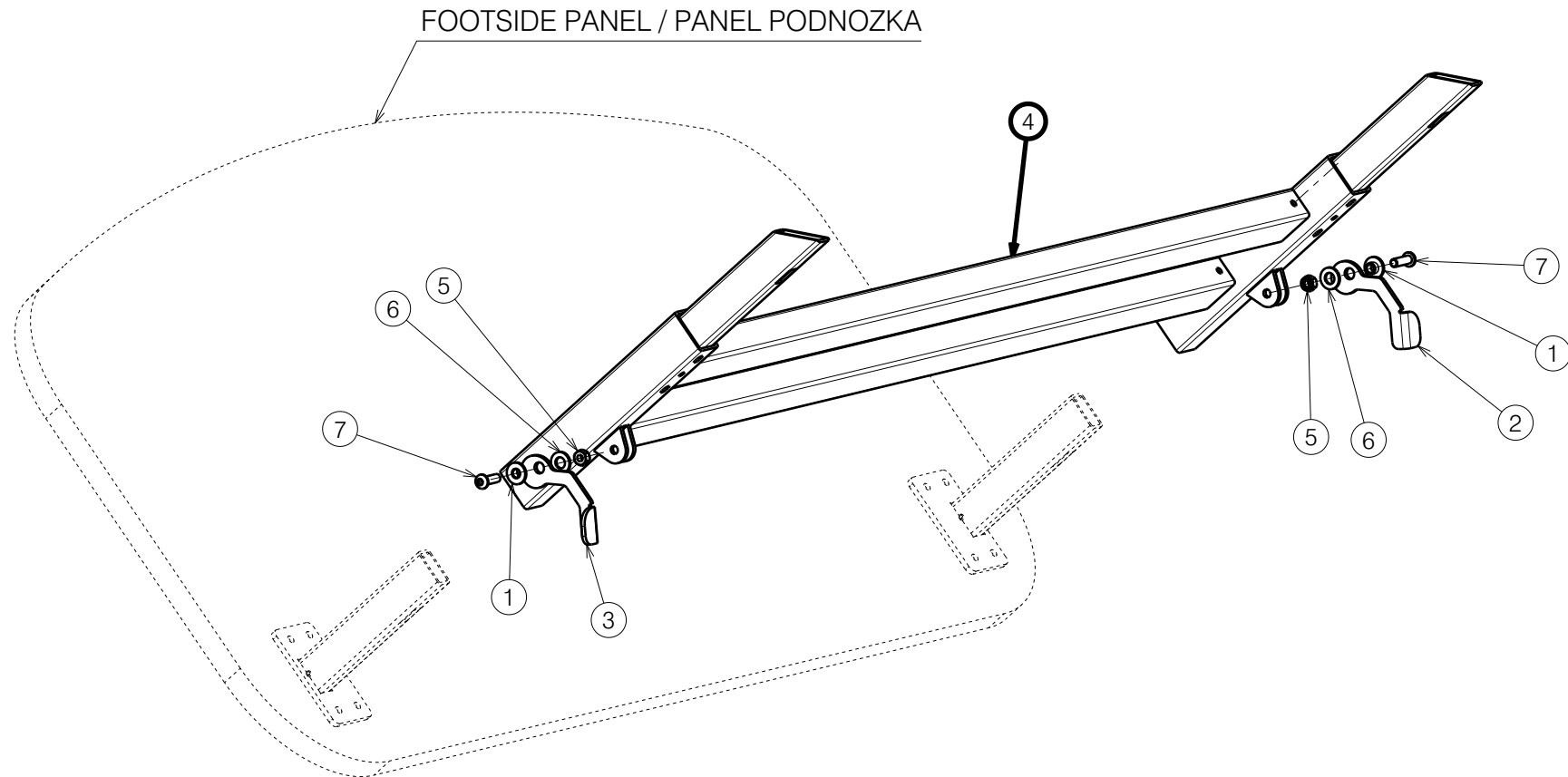


Material			
No.	Plan	Article	Quantity
1	XP01954	2993706	2
2	YP06216	2784803	1
3	YP06217	2795303	1
4	YP06228	2795682	1
5	M6 DIN985	1001680	2
6	D8,4xD17x1,6 DIN125	1003199	2
7	M6x20	1006999	2



EP00279 / D

BED ELONGATION / ILLICO				Plan No.
				EP00279 / D
Scale: 1:5	Drafted	Verified	Confirmed	
Date	12/02/2018	16/06/2021	16/06/2021	
Initials	AZ	DR	TK	