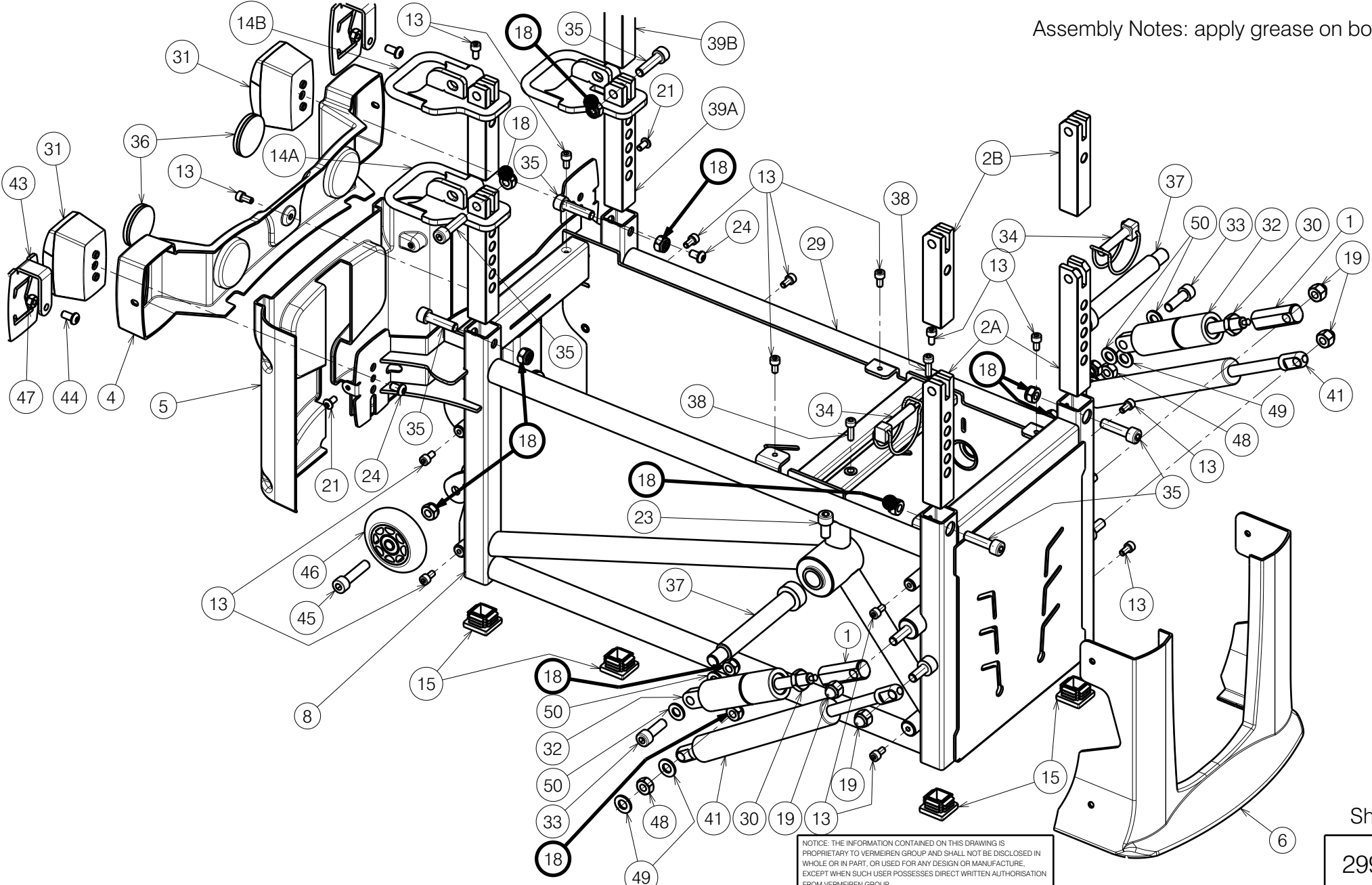


Assembly Notes: apply grease on bolts (37)



NOTICE: THE INFORMATION CONTAINED ON THIS DRAWING IS PROPRIETARY TO VERMEIREN GROUP AND SHALL NOT BE DISCLOSED IN WHOLE OR IN PART, OR USED FOR ANY DESIGN OR MANUFACTURE, EXCEPT WHEN SUCH USER POSSESSES DIRECT WRITTEN AUTHORISATION FROM VERMEIREN GROUP.

Sheet 1/4

2993719

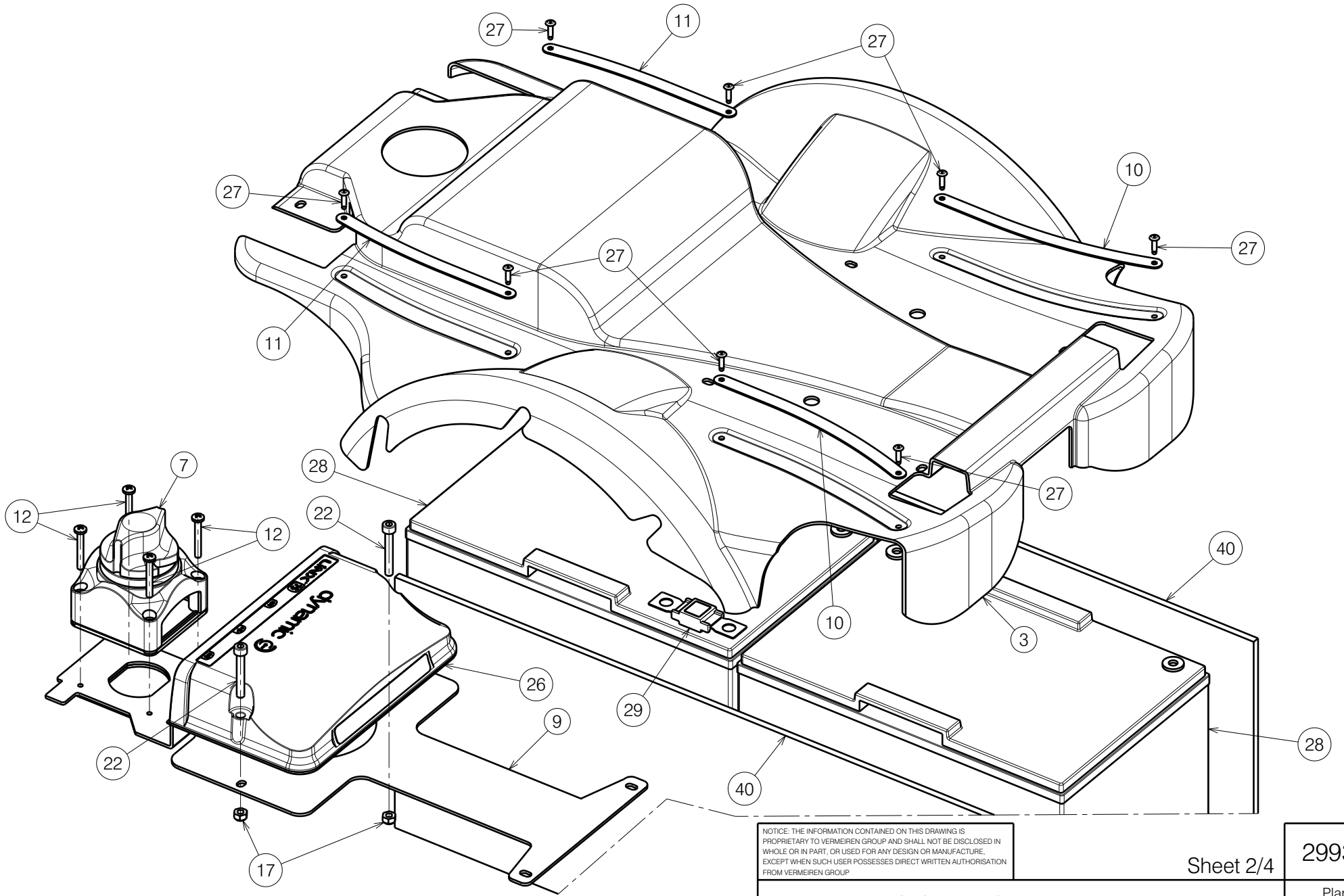
Plan No.

E001094/P

SIGMA LOWER FRAME

Scale:	1:5	Drafted	Verified	Confirmed
Date	14.06.2018	27.10.2025	27.10.2025	
Initials	SD	PM	MK	





NOTICE: THE INFORMATION CONTAINED ON THIS DRAWING IS PROPRIETARY TO VERMEIREN GROUP AND SHALL NOT BE DISCLOSED IN WHOLE OR IN PART, OR USED FOR ANY DESIGN OR MANUFACTURE, EXCEPT WHEN SUCH USER POSSESSES DIRECT WRITTEN AUTHORISATION FROM VERMEIREN GROUP.

Sheet 2/4

2993719

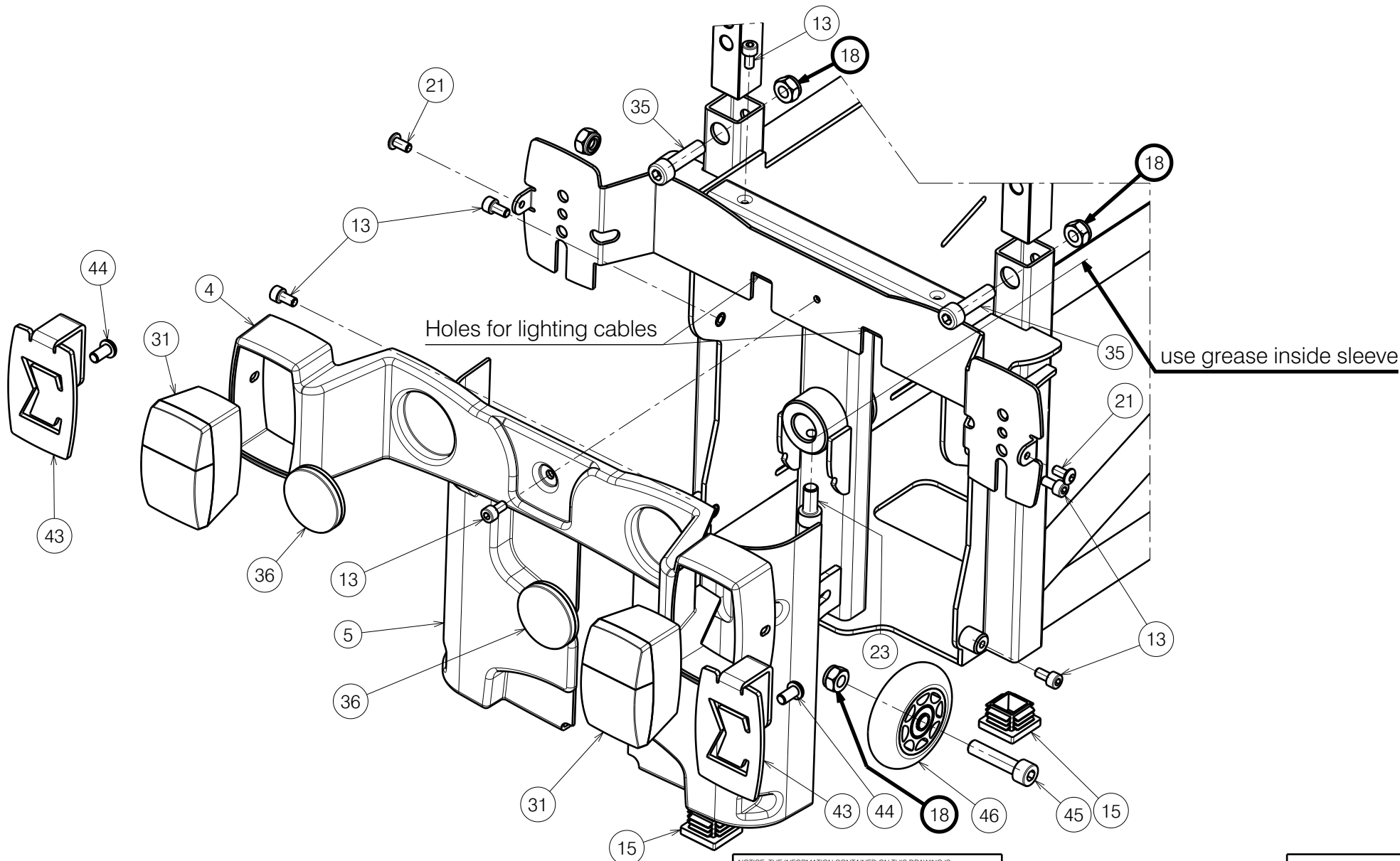
SIGMA LOWER FRAME

Plan No.

E001094/P

Scale:	1:5	Drafted	Verified	Confirmed
Date	14.06.2018	27.10.2025	27.10.2025	
Initials	SD	PM	MK	





NOTICE: THE INFORMATION CONTAINED ON THIS DRAWING IS PROPRIETARY TO VERMEIREN GROUP AND SHALL NOT BE DISCLOSED IN WHOLE OR IN PART, OR USED FOR ANY DESIGN OR MANUFACTURE, EXCEPT WHEN SUCH USER POSSESSES DIRECT WRITTEN AUTHORISATION FROM VERMEIREN GROUP.

Sheet 3/4

2993719

SIGMA LOWER FRAME

Plan No.

E001094/P

Scale:	1:5	Drafted	Verified	Confirmed
Date	14.06.2018	27.10.2025	27.10.2025	
Initials	SD	PM	MK	



Material							
No.	Plan	Article	Quantity	No.	Plan	Article	Quantity
1	X005646	2044500	2	26	60A	1912294	1
2A	X005653	2044726	2		75A	1912302	1
2B	X005860	2055526	2		120A	1912415	1
3	X005737	1914520	1	27	∅3x10	1908849	8
4	X005749	1914536	1	28	12V - 80Ah	1909646	2
5	X005742	1914537	1	29	150 A	1910488	1
6	X005751	1914538	1	30	M10x DIN439B	1903170	2
7	XC00564	3992376	1	31	Rear Light	1914550	2
8	Y022658 DP	20450..	1	32	400 N	1914552	2
9	Y023222	2054354	1	33	M8x25 DIN912	1001499	2
10	Y022741	20452..	2	34	∅8x40	1992510	2
11	Y022742	20453..	2	35	M8x30 DIN912	1915414	6
12	M4x30 DIN7985	1001487	4	36	---	1999996	2
13	M5x10 DIN912	1915412	15	37	M12-∅16x100 ISO7379	1914812	2
14A	Y023178	2059826	1	38	M5x16 DIN912	1915415	2
14B	Y023384	2055626	1	39A	Y023551	2060426	1
15	□ 25x25	1001617	4	39B	Y023562	2063626	1
17	M5 DIN985	1001679	2	40	X005754	1915844	2
18	M8 DIN985	1996213	11	41	---	1915958	2
19	M8 DIN986	1902024	4	43*	Y023077	2054254	2
21	M5x10 ISO7380	1007063	2	44*	M6x12 ISO7380	1007000	2
22	M5x35 DIN912	1007961	2	45	M8x35 DIN912	2994318	1
23	M8x16 DIN912	1915411	3	46	---	1999844	1
24	M6x10 ISO7380	1900641	2	47*	M6 DIN985	1001680	2
25	---	W620262	2	48	M8 DIN934	1001671	2
				49	X0011119	1001554	4
				50	M8 DIN125	1003199	4

2B - 14B - 39B for use with SE42 lift module

* For model without lighting

NOTICE: THE INFORMATION CONTAINED ON THIS DRAWING IS PROPRIETARY TO VERMEIREN GROUP AND SHALL NOT BE DISCLOSED IN WHOLE OR IN PART, OR USED FOR ANY DESIGN OR MANUFACTURE, EXCEPT WHEN SUCH USER POSSESSES DIRECT WRITTEN AUTHORISATION FROM VERMEIREN GROUP.

Sheet 4/4

2993719

SIGMA LOWER FRAME

Plan No.

E001094/P

Scale:	1:5	Drafted	Verified	Confirmed
Date	14.06.2018	27.10.2025	27.10.2025	
Initials	SD	PM	MK	

