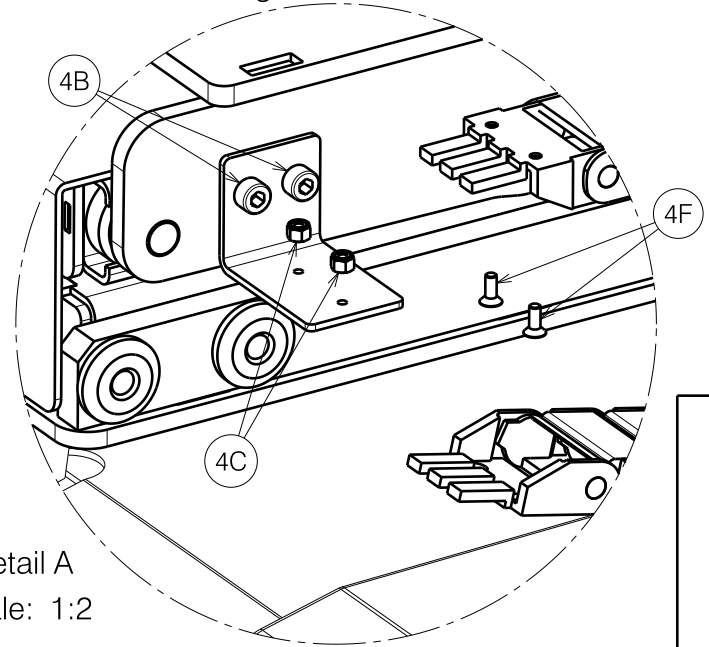


Material			
No.	Plan	Article	Quantity
1	---	1907688	2
2	---	1001498	4
3	---	1903136	4
4	---	1914670	1
4A	---	1908591	1
4B	---	1997822	2
4C	---	1997899	2
4D*	---	1907525	1
4E*	---	1909023	1
4F	---	2990309	2
5	X001016	1001682	4

4D : Dynamic Configuration * = Not depicted
 4E : P&G Configuration



Detail A
 Scale: 1:2

E000830 / D

TIMIX SE42 SEAT LIFT SYSTEM				Plan No. E000830 / D
TIMIX SE42 LIFTSYSTEEM ZIT				
Scale: 1:4	Drafted	Verified	Confirmed	
Date	05/07/2012	06/11/2018	06/11/2018	
Initials	SD	SD	PJ	