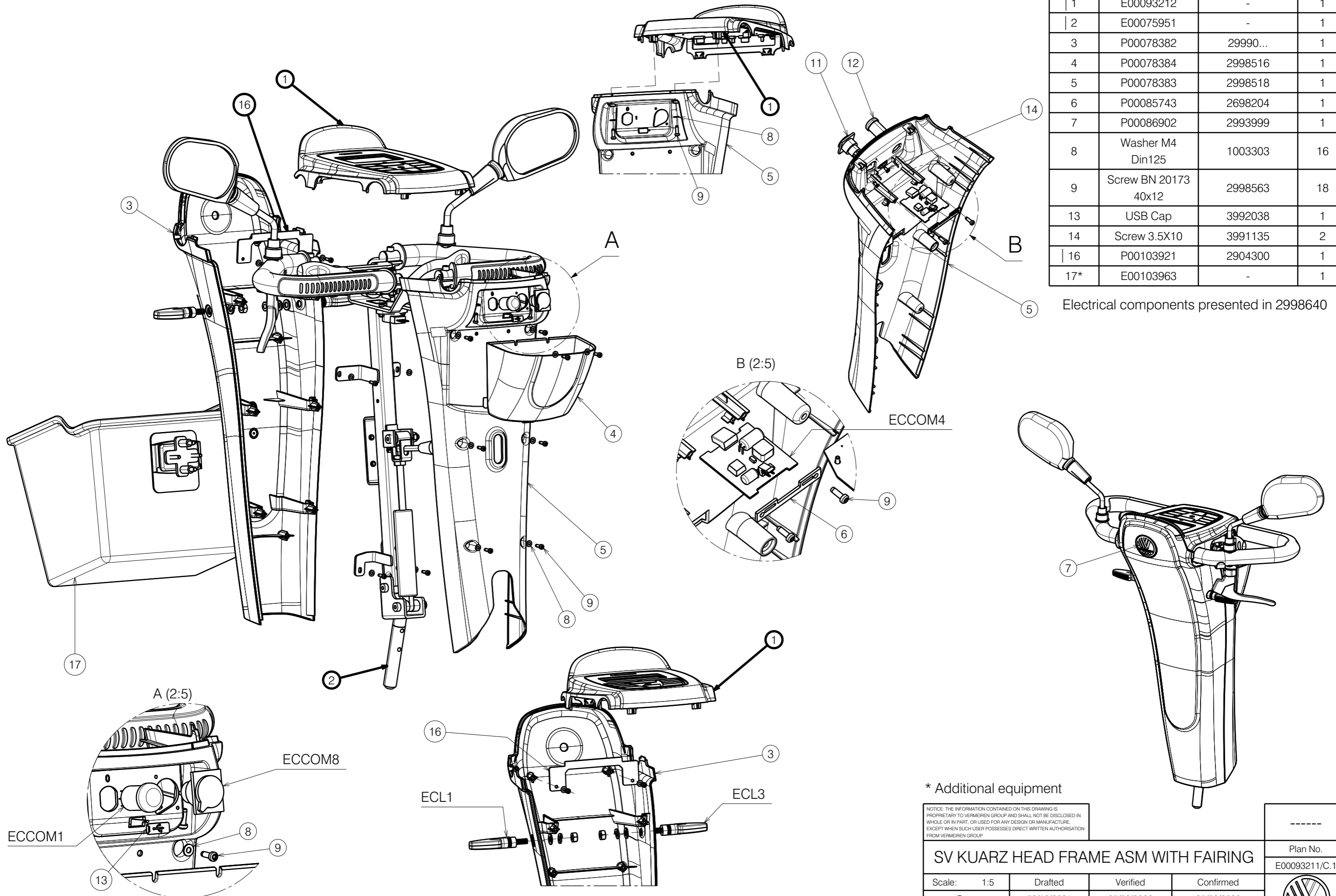


No.	Plan	Article	Qty
1	E00093212	-	1
2	E00075951	-	1
3	P00078382	29990...	1
4	P00078384	2998516	1
5	P00078383	2998518	1
6	P00085743	2698204	1
7	P00086902	2993999	1
8	Washer M4 Din125	1003303	16
9	Screw BN 20173 40x12	2998563	18
13	USB Cap	3992038	1
14	Screw 3.5X10	3991135	2
16	P00103921	2904300	1
17*	E00103963	-	1

Electrical components presented in 2998640



* Additional equipment

NOTICE: THE INFORMATION CONTAINED ON THIS DRAWING IS PROPRIETARY TO VERMEIREN GROUP AND SHALL NOT BE DISCLOSED IN WHOLE OR IN PART, OR USED FOR ANY DESIGN OR MANUFACTURE, EXCEPT WHEN SUCH USER POSSESSES DIRECT WRITTEN AUTHORIZATION FROM VERMEIREN GROUP.

SV KUARZ HEAD FRAME ASM WITH FAIRING

Scale:	1:5	Drafted	Verified	Confirmed
Date		03/12/2024	25/02/2026	25/02/2026
Initials		BK	PM	MK

Plan No.
E00093211/C.1