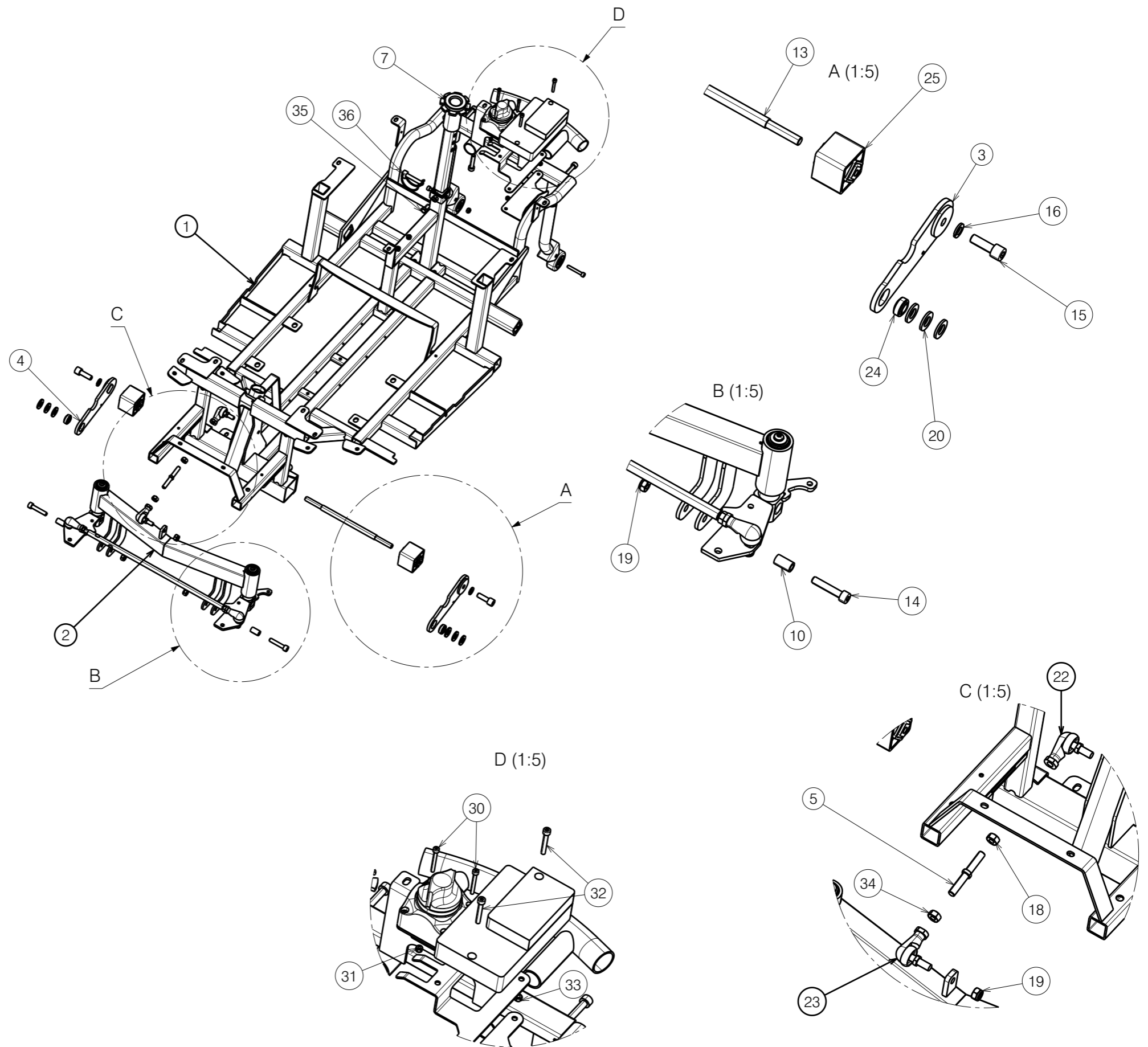


No.	Plan	Article	Qty
1	P00074931 DP	2699104	1
2	E00075740	-	1
3	P00077252	2695426	1
4	P00077253	2695526	1
5	P00096700	GP30700	1
6	P00079259	2698504	1
7	1922616	1922616	1
8	P00093951	2697804	1
9	P00093952	2698404	2
10	XC00174	3990671	2
11	XC00179	3990713	2
13	YC00859	3990779	1
14	1001500M8x40	1001500	2
15	1001502M10x30	1001502	2
16	1001566	1001566	2
17	1001570	1001570	1
18	1001671NutM8 DIN934	1001671	1
19	1996213	1996213	4
20	1993362	1993362	6
22	BALL JOINT R	1922805	1
23	BALL JOINT L	1922806	1
24	3990704	3990704	2
25	Rosta Set	3991360	2
26	3990909	3990909	2
27	3991108	3991108	2
28	3991110	3991110	2
29	1001500M8x40	1001500	4
30	M4X35	3992264	2
31	1001678NutM4 Selflocking	1001678	2
32	1007961M5x35	1007961	2
33	1001679NutM5	1001679	2
34	3992037	3992037	1
35	1001440	1001440	1
36	1993594	1993594	1



Electrical components presented on 2998640

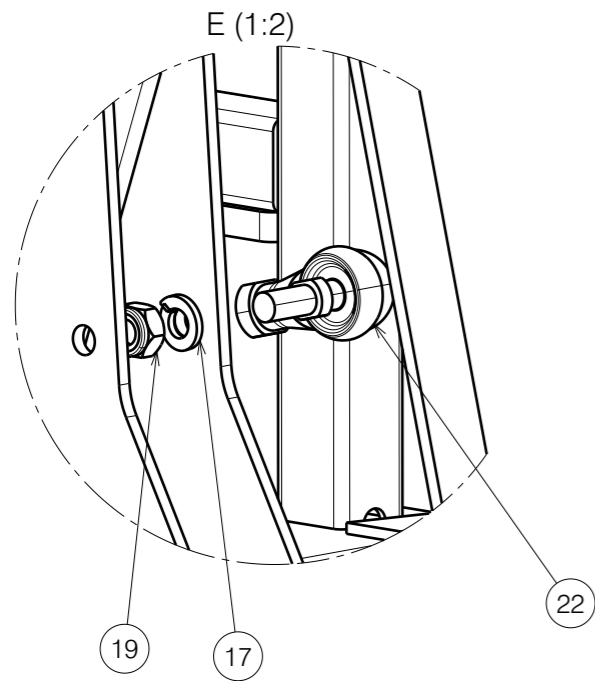
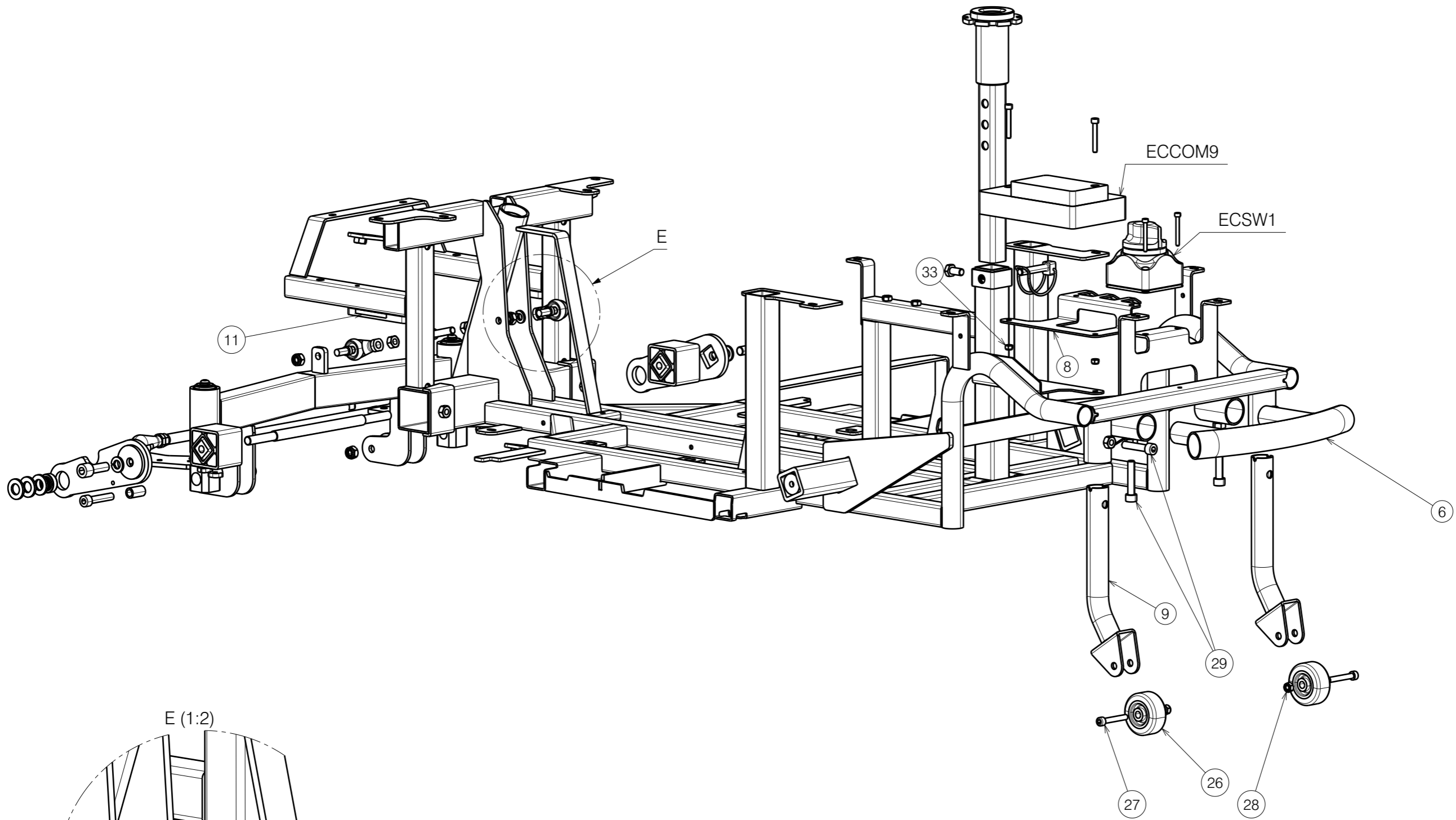
Sheet 1/2

NOTICE: THE INFORMATION CONTAINED ON THIS DRAWING IS PROPRIETARY TO VERMEIREN GROUP AND SHALL NOT BE DISCLOSED IN WHOLE OR IN PART, OR USED FOR ANY DESIGN OR MANUFACTURE, EXCEPT WHEN SUCH USER POSSESSES DIRECT WRITTEN AUTHORIZATION FROM VERMEIREN GROUP.

SV KUARZ FRAME ASSEMBLY

Scale:	1:10	Drafted	Verified	Confirmed
Date	09/12/2024	24/02/2026	24/02/2026	
Initials	BK	PM	MK	

Plan No.
E00075727/B.1



NOTICE: THE INFORMATION CONTAINED ON THIS DRAWING IS PROPRIETARY TO VERMEIREN GROUP AND SHALL NOT BE DISCLOSED IN WHOLE OR IN PART, OR USED FOR ANY DESIGN OR MANUFACTURE, EXCEPT WHEN SUCH USER POSSESSES DIRECT WRITTEN AUTHORIZATION FROM VERMEIREN GROUP

Sheet 2/2

Plan No. E00075727/B.1

SV KUARZ FRAME ASSEMBLY			
Scale: 1:5	Drafted	Verified	Confirmed
Date	09/12/2024	24/02/2026	24/02/2026
Initials	BK	PM	MK