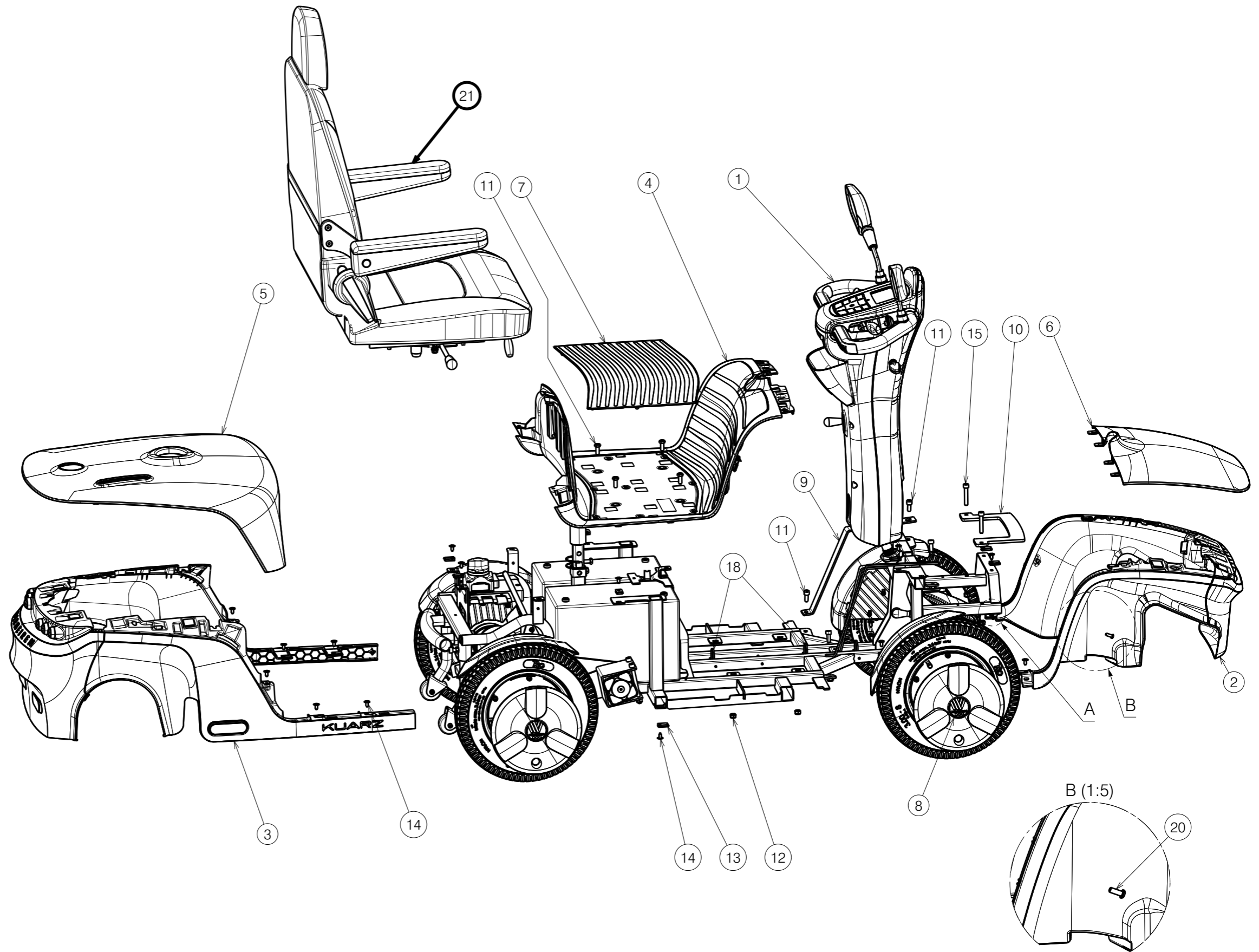
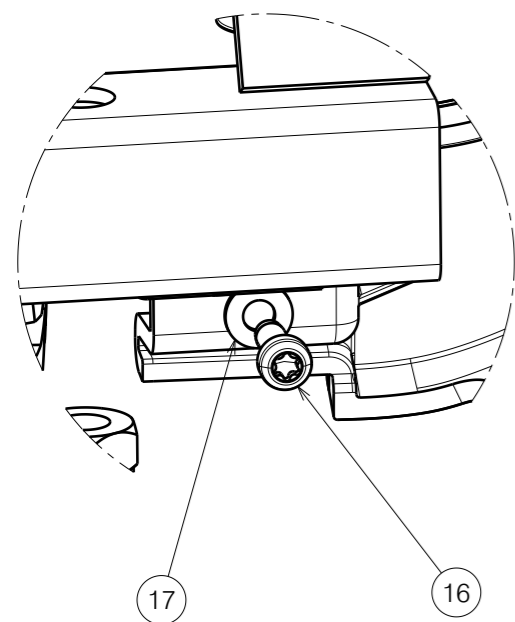


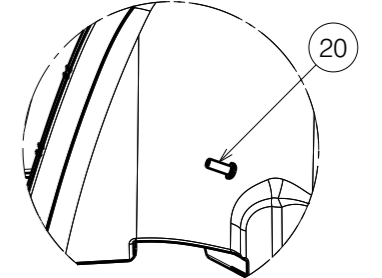
No.	Plan	Article	Qty
1	E00075731	---	1
2	E00093194	----	1
3	E00093195	---	1
4	E00093206	---	1
5	E00094477	---	1
6	E00094479	---	1
7	P00078045	2998513	1
8	P00074052	29995...	4
9	P00095066	2696804	2
10	P00083391	2696904	1
11	Screw M8x20	1009400	4
12	Nut M8 Din985	1001682	6
13	Clamp	3991351	13
14	Screw W134	3991368	20
15	Screw M8x45	1003110	2
16	Screw BN 20173 40x12	2998563	2
17	Washer M4 DIN125	1003303	2
18	2998581	2998581	4
19	Screw M8x20	1906425	4
20	M6x16	1008459	2
21	A00102646	1922285	1
22	BOM EC KUARZ	2998640	1



A (1:1)



B (1:5)



NOTICE: THE INFORMATION CONTAINED ON THIS DRAWING IS PROPRIETARY TO VERMEIREN GROUP AND SHALL NOT BE DISCLOSED IN WHOLE OR IN PART, OR USED FOR ANY DESIGN OR MANUFACTURE, EXCEPT WHEN SUCH USER POSSESSES DIRECT WRITTEN AUTHORIZATION FROM VERMEIREN GROUP.

<b>SV KUARZ MAIN ASSEMBLY</b>			
Scale: 1:10	Drafted	Verified	Confirmed
Date	06/12/2024	27/01/2026	27/01/2026
Initials	BK	PM	MK

---
Plan No. E00075734/B.1