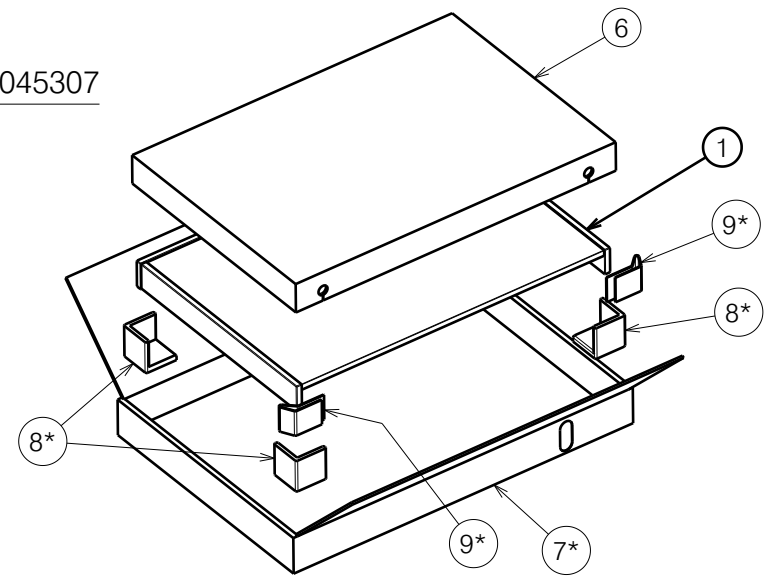
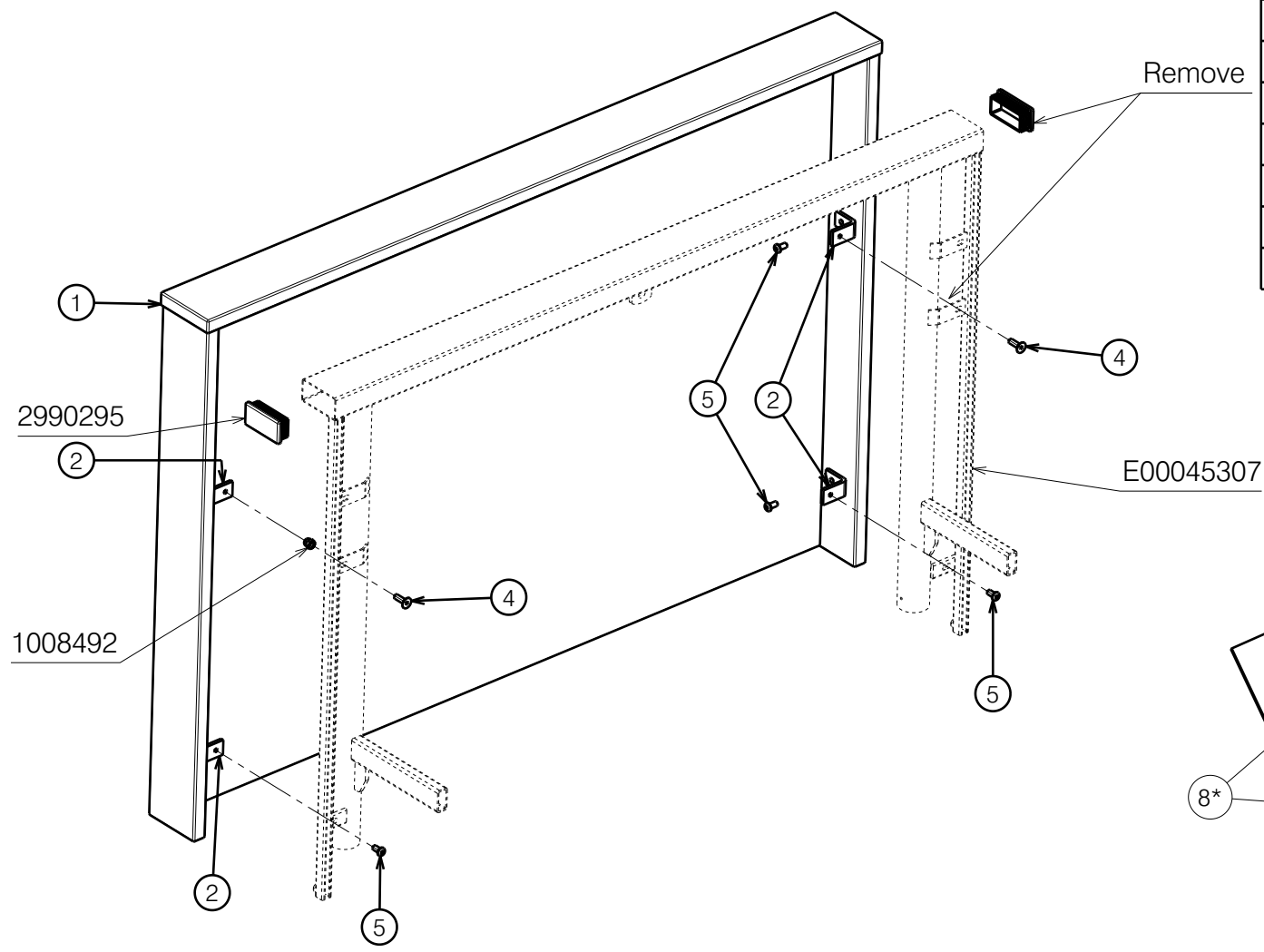


No.	Plan	Article	Qty
1	P00033432	2995478	1
2	P00056219	2674837	4
3	---	---	---
4	M6x20 DIN7991	1903081	2
5	M6x12 ISO7380	1007000	6
6	P00058649	US00016	1
7*	P00058910	U000452	1
8*	P00058912	US00017	4
9*	P00062587	2997908	2



CLUB D	Remove 2x1008492 and 2x2990295 before installing 2995478
CLUB	Refer to drawing E00045307

| * - only for wooden panels ordered separately (without bed);
 Before shipping, assemble the brackets (2) with wooden panel (1),
 Use tool P610003 to position the brackets (2).

NOTICE: THE INFORMATION CONTAINED ON THIS DRAWING IS PROPRIETARY TO VERMEIREN GROUP AND SHALL NOT BE DISCLOSED IN WHOLE OR IN PART, OR USED FOR ANY DESIGN OR MANUFACTURE, EXCEPT WHEN SUCH USER POSSESSES DIRECT WRITTEN AUTHORISATION FROM VERMEIREN GROUP.

ASSEMBLY FRONT/REAR PANEL / CLUB				---
				Plan No. E00045904/E1.1
Scale: 1:8	Drafted	Verified	Confirmed	
Date	2022-10-28	19/06/2024	19/06/2024	
Initials	OY	AZ	AZ	