

User manual

MANUEL D'UTILISATION
GEBRUIKSAANWIJZING
GEBRAUCHSANWEISUNG
MANUALE DI ISTRUZIONI
MANUAL DE INSTRUCCIONES
INSTRUKCJA OBSŁUGI
NÁVOD K OBSLUZE

Inovys II-E



EN

Instructions for specialist dealer

This instruction manual is part and parcel of the product and must accompany every product sold.

Version: E, 2024-02

FR

Instructions pour les distributeurs

Ce manuel d'instructions fait partie du produit et doit accompagner chaque produit vendu.

Version : E, 2024-02

NL

Instructies voor de vakhandelaar

Deze handleiding is deel van het product en dient bij iedere product te worden geleverd.

Versie: E, 2024-02

DE

Hinweise für den Fachhändler

Diese Gebrauchsanweisung ist Bestand-teil des Produkts und ist bei jeder Produkts auszuhändigen.

Version: E, 2024-02

IT

Istruzioni per il rivenditore

Il presente Manuale di istruzioni è parte integrante del prodotto e deve essere fornito assieme alla prodotto.

Versione: E, 2024-02

ES

Instrucciones destinadas a los distribuidores especializados

El presente manual de instrucciones es parte integrante del producto y se debe adjuntar a todas las producto que se vendan.

Versión: E, 2024-02

PL

Instrukcje dla wyspecjalizowanego sprzedawcy

Niniejsza instrukcja obsługi jest nieodłączną częścią produktu i musi być dołączona do każdego sprzedawanego produktu.

Wersja: F, 2024-02

CS

Pokyny pro specializovaného prodejce

Tento návod k obsluze je součástí dodávky a musí být součástí každého prodaného produktu.

Verze: E, 2024-02

All rights reserved, including translation.

Tous droits réservés, y compris la traduction.

Alle rechten, inclusief vertaling, voorbehouden.

Alle Rechte, auch an der Übersetzung, vorbehalten.

Tutti i diritti riservati (anche sulla traduzione).

Todos los derechos reservados, incluidos los de la traducción.

Wszelkie prawa zastrzeżone, łącznie z tłumaczeniem.

Všechna práva vyhrazena, včetně překladu.

Content

Preface	2
1 Your product	3
1.1 Description	3
1.2 Accessories	4
2 Before use	5
2.1 Intended use	5
2.2 General safety instructions	5
2.3 Symbols on the wheelchair	5
2.4 Transport and (dis)assembly.....	6
2.5 First use and storage	11
3 Using your wheelchair	12
3.1 Parking brakes (only for 22"/24" wheels)	12
3.2 Drum brakes (only for 16" fixed wheels)	12
3.3 Moving to/from wheelchair	13
3.4 Comfort adjustments.....	13
3.5 Riding.....	15
3.6 Using the handset.....	18
3.7 Battery status and charging	18
4 Maintenance	21
4.1 Points of maintenance	21
4.2 Instructions of maintenance	21
4.3 Troubleshooting	22
4.4 Expected lifespan.....	22
4.5 End of use.....	22
5 Technical specifications	23

Preface

Congratulations! You are now owner of a Vermeiren wheelchair!

This wheelchair is made by qualified and committed personnel. It is designed and produced according to high quality standards guarded by Vermeiren.

Thank you for your trust in the products of Vermeiren. To support you on the use of this wheelchair and its operating options, this manual is offered. Please read it carefully; it will help you to get familiar with the operation, capabilities and limitations of your wheelchair.

If you still have questions after reading this manual, do not hesitate to contact your specialist dealer. He/she will be glad to help you.

Important note

To ensure your safety and to prolong the lifetime of your product, please take good care of it and have it checked and/serviced on a regular basis.

The warranty on this product is based on normal use and maintenance as described in this manual. Damage to your product caused by improper use or lack of maintenance will cause the warranty to lapse.

This manual reflects the latest product developments. Vermeiren has the right to implement changes to this type of product without any obligation to adapt or replace similar products previously delivered.

Pictures of the product are used to clarify the instructions in this manual. Details of the depicted product may deviate from your product.

Information available

On our website <http://www.vermeiren.com/> you will always find the most recent version of the information in this manual. Please consult this website regularly for possible updates.

Visually impaired people can download the electronic version of this manual and have it read out by means of a text-to-speech software application.



User manual
For user and specialist dealer



Installation manual
For specialist dealer



Service manual for wheelchairs
For specialist dealer

1 Your product

1.1 Description

This Inovys II-E wheelchair is easy to operate and can be used indoors as well as outdoors. It is foldable which makes it very compact to store. The wheelchair is available in multiple sizes and is easily expandable with optional parts to enhance user's comfort.

The following picture shows all parts that are relevant to the user. In the operation and maintenance section, these parts are described if applicable.

i Before using your wheelchair, check the technical details and limits of intended use, see chapter 5.



Figure 1 **Important parts**

- | | | |
|------------------------|----------------------|------------------------------------|
| 1. Headrest (optional) | 7. Foot strap (2x) | 13. Rear wheel (2x) |
| 2. Backrest | 8. Leg rest (2x) | 14. Hand rim (2x) |
| 3. Arm pad | 9. Armrest (2x) | 15. Push handle with handgrip (2x) |
| 4. Handset | 10. Brake (2x) | 16. Headrest support (optional) |
| 5. Leg rest (2x) | 11. Front wheel (2x) | |
| 6. Footplate (2x) | 12. Frame | |



Figure 2 *Important parts, continued*

1.2 Accessories

Following accessories are available for the Inovys II-E:

- Wooden table (B12)
- Headrest (L55, L58)
- Personal safety belt (B58)
- Horizontal wedge (B22)
- Hemiplegic armrests (B66)

For more information, please consult your specialist dealer.

2 Before use


2.1 Intended use

In this paragraph a brief description of the intended use of your wheelchair is given. Additionally, relevant warnings are added to the instructions in the other paragraphs. In this way we would like to make you aware of the possible misuse that may appear.

- This wheelchair is suitable for indoor and outdoor use.
- This wheelchair is designed and produced solely to transport one (1) person with a maximum weight of 135kg. It is not designed for transport of goods or objects, nor for any other use than previously described.
- Depending on the type of wheels on your wheelchair, it can be operated by an attendant or by the user sitting in the wheelchair. You should NOT use this wheelchair without attendant if you suffer from physical or mental impairments that may put you, or other people, in danger when riding the wheelchair. For this reason, consult your doctor first and make sure that your specialist dealer is informed about his advice.
- This wheelchair is not intended to be used as a seat in a motorized vehicle.
- Only use accessories and spare parts approved by Vermeiren.

Please read all technical details and limits of your wheelchair in §7.

2.2 General safety instructions

 CAUTION Risk of injuries and/or damage

Please read and follow the instructions in this manual. Otherwise you may get injured or your wheelchair may get damaged.

Keep the following general warnings in mind during use:

- Do not use your wheelchair if you are under influence of alcohol, medicines or other substances that may influence your riding abilities. This also counts for your attendant operating the wheelchair.
- Be aware that some parts of your wheelchair may get very hot or cold due to ambient temperature, solar radiation or heating devices. Be careful when touching. Wear protective clothing if the weather is cold. When going outdoors, riding gloves can be used to improve the grip on the hand rims.
- Take note of the instructions for care and service. The manufacturer is not liable for damage caused by improper servicing / care.

2.3 Symbols on the wheelchair

The symbols in following list are applicable to your wheelchair. Symbols can be found in the relevant ISO standard (ISO 7000, ISO 7001 and IEC 417).



Maximum weight of the user in kg



Outdoor/indoor use (battery and power adapter excluded)



For indoor use only (battery and power adapter)



Maximum safe slope in ° (degrees).



Maximum speed



Not intended to be used as seat in a motor vehicle



Type designation

2.4 Transport and (dis)assembly

2.4.1 Moving out of the way


Move the wheelchair by using its wheels and roll it to the destination.

If this is not possible, and disassembling is not desired, ask help to lift the wheelchair. Firmly grasp the frame with both hands and lift it from the floor. Do not use foot or arm rests, or wheels to grasp the wheelchair.

2.4.2 Transport by aircraft

Since the wheelchair is equipped with a lead-acid battery, it is not possible to transport the wheelchair (as a whole) by aircraft. If you still consider to do so, consult your airline before booking your flight. It is also possible to remove the battery and buy a new one at your arrival. Contact your specialist dealer for information.

2.4.3 Transport by vehicle

 **WARNING** Risk of injuries

- Do NOT use your wheelchair as a seat in a vehicle, see symbol.
- Never use the same safety belt for passenger and wheelchair.



1. Use the handset to return your wheelchair to sitting position, see §3.6.
2. Disassemble and lift the wheelchair in the vehicle according to the instructions in §2.4.4.
3. Store the wheelchair and its parts in the luggage compartment. If luggage and passenger compartments are NOT separated or enclosed, fasten the wheelchair frame securely to the vehicle.

- i** You can use a ramp to push the wheelchair inside the vehicle, see 3.5.4.
- i** Apply the parking brakes after loading, see §3.1.

2.4.4 Assembly

 **CAUTION** Risk of injuries or damage

- Make sure that your fingers, clothes, buckles won't get trapped during assembly.
- Always keep the swing range of the footrest in mind to prevent bystanders from being injured or objects from being damaged.
- Before use, always make sure that all assembled parts have been firmly secured.



Figure 3 *Inovys II-E base frame with 16" and 24" wheels - disassembled parts*



[1]

- Place the wheelchair with four wheels on the ground.
- Fold the backrest frame (34) open.



[2]

- Mount the front of the motor to the backrest frame with the fastener pin (33) and lock its brace.
- Make sure that the backrest frame is firmly secured to the motor.



[3]

- Hang the backrest with its four screws in the four brackets (35) of the backrest frame.
- Tighten the two upper star buttons (36) by hand.
- Make sure that the backrest is firmly secured.



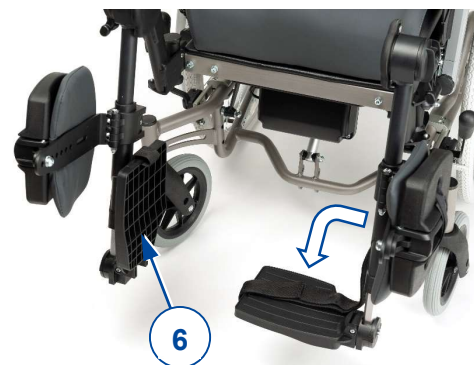
[4]

- Turn the star knob (37) of the armrest support anticlockwise and remove it.
- Insert the armrest (9) in the armrest support.
- Insert the star knob (37) and turn it clockwise until it is finger-tight.
- Make sure that the armrest is firmly secured.
- Repeat this for the second armrest.



[5]

- Hold the leg rest (5) sideways and hang it in the footrest support (39). Make sure that the leg rest hole (44) fits over the lower support part and that the leg rest pin (38) is inserted in the top support.
- Swing the leg rest (5) inwards until it clicks in position.
- Repeat for the second leg rest.



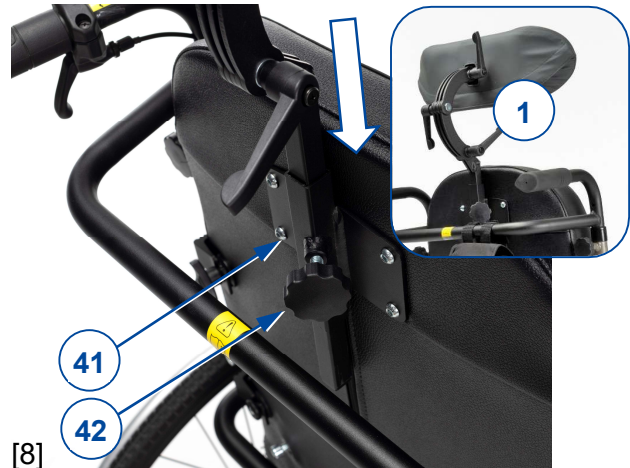
[6]

- Swing the footplate (6) downwards.
- Repeat for the second footplate.



[7]

- Swing the calf rest support (40) inwards.
- Turn the calf rest (8) to the back.
- Repeat this for the second calf rest.



[8]

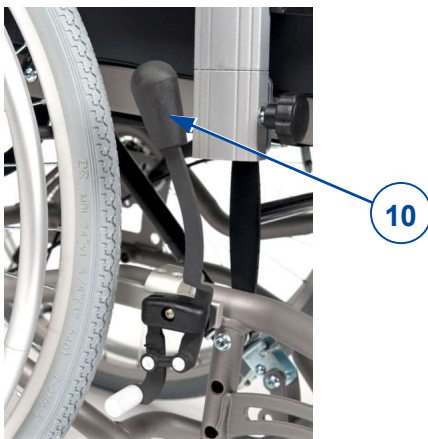
- (If applicable) mount the headrest (1) with the square tube in the headrest support (41) on the backrest.
- Turn the star knob (42) finger tight.

Your wheelchair is now ready for use.

2.4.5 Disassembly

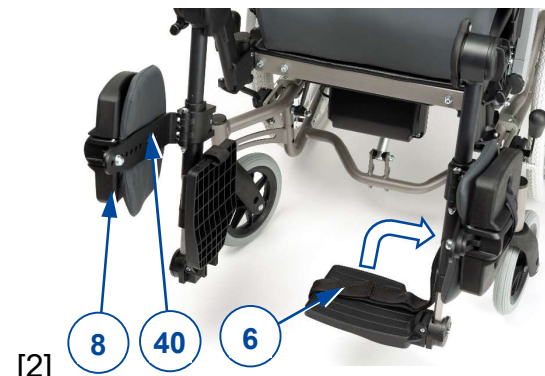
CAUTION Risk of injuries or damage

- Make sure that your fingers, clothes, buckles won't get entrapped during disassembly.
- Always keep the swing range of the footrest in mind to prevent bystanders from being injured or objects from being damaged.



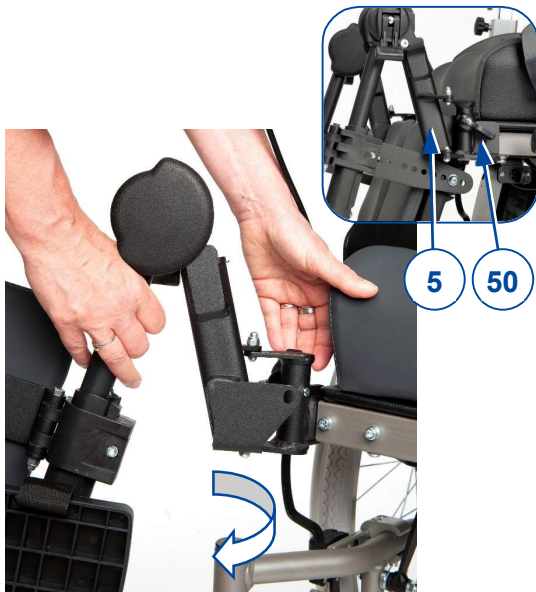
[1]

- Apply both parking brakes by operating the brake lever (10), see §3.1.



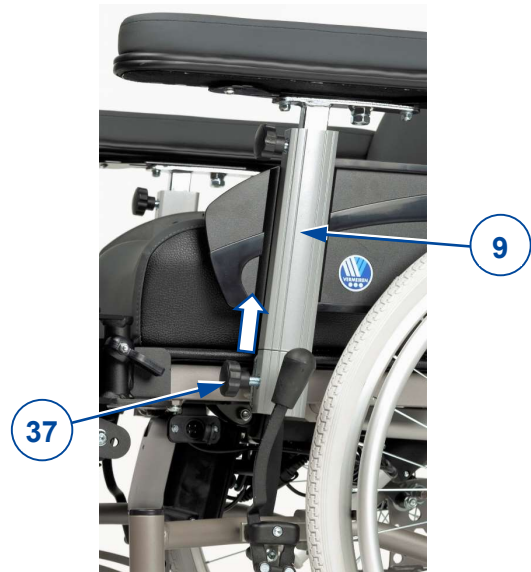
[2]

- Close the calf rest (8) and turn the calf rest support (40) outwards.
- Repeat this for the other calf rest.
- Fold both footplates (6) upwards.



[3]

- Pull the leg rest lever (50) and swing the leg rest (5) outwards.
- Lift the leg rest to remove it.
- Repeat this for the other leg rest.



[4]

- Turn the star knob (37) anticlockwise.
- Pull and hold the star knob while pulling the armrest (9) out of the armrest support.
- Retighten the star knob (37).



[5]

- (If applicable) demount the headrest (1):
 - Loosen the star knob (42) of the headrest support and remove it.
 - Pull the headrest up until it is free from the support on the backrest.



[6]

- Loosen the two upper star buttons (36) of the backrest by hand.
- Pull the backrest upwards until it is released from the four brackets (35).



[7]

- Demount the motor from the backrest frame by opening the brace of the fastener pin (33) and removing it.



[8]

- Fold the backrest frame (34) down onto the seat.
- Place the fastener pin (33) back in the frame.

2.4.6 (Dis)Assembling rear wheels (only for 22"/24"):

For transport purposes, it might be necessary to (dis)assemble the rear wheels.

Removing the rear wheels:

1. Press and hold the button (43) while sliding the wheel axle out of the axle bushy.
2. Repeat this for the other wheel and place the wheelchair gently on the tipping caps.

Installing the rear wheels:

1. Take one of the rear wheels and lift the wheelchair on one side.
2. Press and hold the button (43) while sliding the wheel axle in the axle bushy.
3. Release the button to lock the wheel.
4. Repeat this for the other wheel. Make sure that both wheels are firmly secured.



2.5 First use and storage

CAUTION Risk of battery damage

- Never completely discharge the battery.
- Do not interrupt the charging cycle; only disconnect the battery charger when the battery is fully charged.
- Make sure that your wheelchair is stored dry to prevent mould to grow and damage the upholstery.
- Check the technical details for storage, see chapter 5.

Ensure that all battery connections are plugged in, and that the battery has been fully charged before using your wheelchair. Ask your dealer if this has already been done or not. To charge, follow the charging instructions in §3.7.

3 Using your wheelchair


WARNING

Risk of injuries

- First read the previous chapters and inform yourself about the intended use. Do NOT use your wheelchair unless you have read and fully understood all instructions.
- In case of doubts or questions, do not hesitate to contact your local specialist dealer, your care provider or technical adviser to help you.

3.1 Parking brakes (only for 22"/24" wheels)


CAUTION

Risk of injuries

- Only operate the brake lever when your wheelchair is stopped.
- An attendant should operate the brake lever if you have impaired mobility.
- Make sure the wheelchair is on a flat horizontal surface before releasing the brakes.
- Never release both brakes simultaneously.
- Brakes may only be adjusted by your specialist dealer.


CAUTION

Risk of damage

- Do not use the parking brakes to slow the wheelchair down during movement.

Your wheelchair is equipped with two manually-operated parking brakes. These brakes are intended to prevent movement of the wheelchair when parked.

Releasing brakes [A]:

1. With one hand, hold one hand rim tight (or your attendant holds the push bar with one hand).
2. Pull the brake lever (10) of the OTHER wheel to the REAR.
3. Repeat this for the second wheel and parking brake.

Applying brakes [B]:

1. With one hand, hold one hand rim tight (or your attendant holds the push bar with one hand).
2. Push the brake lever (10) of the OTHER wheel to the FRONT until you feel a distinctive lock.
3. Repeat this for the second wheel and parking brake.

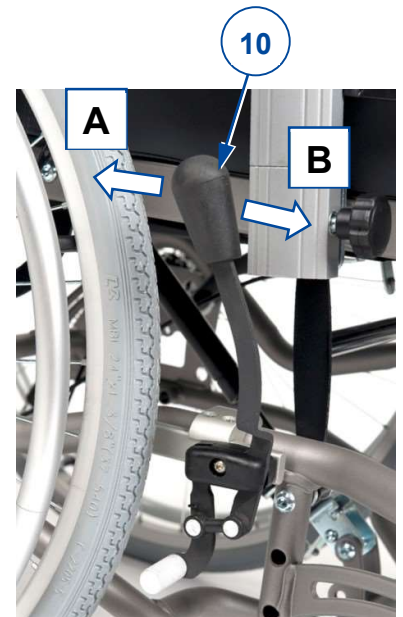


Figure 4 *Operating parking brakes*

3.2 Drum brakes (only for 16" fixed wheels)


CAUTION

Risk of injuries

- Make sure that the wheelchair is on a flat horizontal surface before releasing the brakes.
- Never release both brakes simultaneously.
- To park or stop on a slope, use the parking brakes after coming to a halt.
- Brakes may only be adjusted by your specialist dealer.

To operate the drum brakes:

1. Pull the brake levers (60) in a squeeze motion.
2. Each brake lever (60) can be blocked by pushing the lock lever (61) down with your finger.
3. Release the brake levers (60).

To move/ride again:

1. Pull the brake levers (60) in a squeeze motion. The lock lever (61) is release by this movement.
2. Hold the handgrips firmly, while releasing the brake levers (60).



Figure 5 Operating drum brakes

3.3 Moving to/from wheelchair

 CAUTION Risk of injuries or damage

- In case you cannot perform the transfer in a safe manner, ask someone to assist you.
- Do not stand on the footplates during transfer into or out of the chair.

Transfer

1. Position the wheelchair as close as possible to you when sitting in your chair, couch, seat or bed.
2. Apply both parking brakes to block the movement, see §3.1.
3. Use the handset to move the backrest and seat to sitting position, see §3.6.
4. Fold the footplates upwards to prevent standing on them, or turn the leg rests aside to free the passage for transfer.
5. If necessary, remove the armrest and/or leg rest on one side (see §0).
6. Transfer to/from the wheelchair using the strength of your arms, or with the help of an attendant or lifting equipment.

Sitting in the wheelchair

1. Sit down on the seat with your lower back against the backrest.
2. Reinstall the armrest and/or leg rest, if removed.
3. Turn the leg rests back to the front, fold down the footplates and put your feet on the footplates.
4. Make sure that your upper legs are horizontal and that your feet are in a comfortable position; adjust the wheelchair according to the instructions in § 3.4.

3.4 Comfort adjustments

 CAUTION Risk of injuries or damage

- The following comfort adjustments can be made by an attendant or caretaker. All other adjustments are done by your specialist dealer.
- Always keep the swing range of the footrest in mind to prevent bystanders from being injured or objects from being damaged.
- Make sure that your fingers, clothes, buckles won't get trapped during adjustment.

3.4.1 Armrest height

The arm pads (3) of the wheelchair can be adjusted in 6 different height positions:

1. Turn the star knob (45) anticlockwise to unlock.
2. Pull and hold the star knob to release the inner tube of the armrest (9).
3. Slide the inner tube of the armrest (9) up/down in the support (46) until the desired height. Make sure that the holes on the inner/outer tube align.
4. Retighten the star knob (45) by turning it clockwise.
5. Repeat this for the second armrest. Make sure that the armrests is firmly secured.



Figure 6 *Adjusting armrest height*

3.4.2 Push handles / push bar height

 CAUTION Risk of injuries

Always use the available adjustment holes on the push handle. Never exceed the maximum height adjustment.

The push handles (16) and push bar (23) are connected and can be adjusted in 7 different height positions:

1. Loosen both star knobs (31) on the handle supports and remove them.
2. Adjust the height of both push handles simultaneously by sliding them up/down in the supports. Make sure that the holes on the inner/outer tube align.
3. Insert the two star knobs (31) in the supports and the adjustment holes.
4. Turn the star knobs clockwise until they are finger-tight.
5. Make sure that the push handles are firmly secured.



Figure 7 *Adjusting push-handle height*

3.4.3 Leg rest angle

1. Loosen the lever (62) at the rotation point.
2. Adjust the angle of the leg rest by lifting/lowering the footplates (between 100° - 190°).
3. Retighten the lever (62) firmly by hand.
4. Repeat this for the second leg rest. Make sure that both leg rests are firmly secured.



Figure 8 *Adjusting footrest angle*

3.4.4 Tip cap height

1. Press and hold the spring button (63).
2. Slide the tip cap tube (64) in/out of the frame tube.
3. Release the spring button.
4. Repeat this for the second tip cap. Make sure that both tip caps are firmly secured.

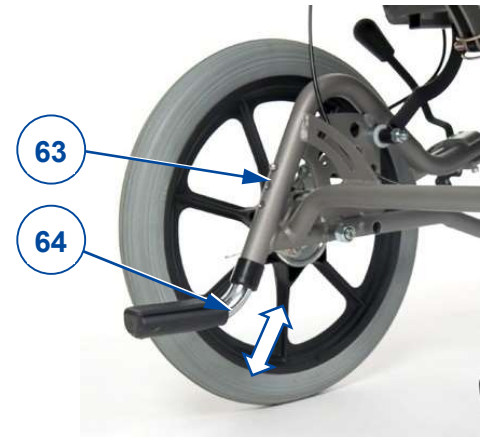


Figure 9 Adjusting tip cap height

3.5 Riding

- i** Depending on your medical condition and type of wheelchair, you can ride the wheelchair yourself or have it pushed by an attendant.

 **CAUTION** Risk of entrapment

- Prevent your fingers from being caught by the wheel spokes.
- Prevent getting your hands trapped on the hand rims when riding through small passages.
- When driving with an attendant, keep your arms away from the wheels and keep your feet on the footplates.

 **CAUTION** Risk of injuries and damage

- Do NOT drive on slopes, obstacles, steps or kerbs larger than the size described in the technical specifications in chapter 5.
- Do not proceed with your wheelchair in traffic. Always stay on the pavement.
- Do not operate the hand rims with wet hands.
- Pay attention if the road has holes or gaps that may cause entrapment of the wheels.
- Avoid stones and other objects that may block the wheels.
- Always keep the swing range of the footrest in mind to prevent bystanders from being injured or objects from being damaged.
- Before every usage, make sure that:
 - all adjustments are firmly secured, see §3.4.
 - the parking brakes are working properly.
 - the tires are in good condition, see §4.

3.5.1 Riding with an attendant

1. Release the brakes or have them released by the attendant, while he/she is holding the wheelchair to prevent movement, see §3.1 or §3.2.
2. The attendant grasps the handgrips or push bar to push the wheelchair in the desired direction.
3. After stopping, apply the brakes while holding the wheelchair in place, see §3.1 or §3.2.

3.5.2 Riding on your own

1. Release the parking brakes one by one, see §3.1.
2. Move your hands to the highest position on both hand rims.
3. Lean forward and push/turn the hand rims forward until your arms are straight.
4. Swing your arms loosely back to the topside of the hand rims and repeat the push movement.
5. To stop: wait until the wheelchair stops and move forward/backward by operating the hand rims. Apply the parking brakes one by one, see §3.1.

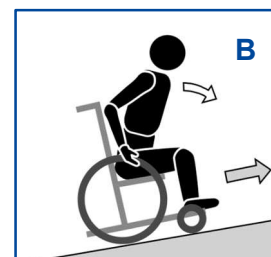
3.5.3 Riding on slopes


CAUTION

Risk of injuries

- If the attendant has too little strength to control the wheelchair, stop riding and use the brakes immediately.
- When you stop on a (small) slope, use your brakes, since the wheelchair may start moving unexpectedly.

1. Secure yourself in the wheelchair with a safety belt.
2. Ask an attendant or a bystander to help you.
3. Drive slowly and in a straight line. Lean slightly forward (A/B) when going up the slope. Lean backwards, against the backrest, when going down the slope.
4. Never reverse on a slope.


 Figure 10 *Going up a slope*

3.5.4 Using ramps


CAUTION

Risk of injuries caused by tipping over

- Only use ramps approved by Vermeiren and do not exceed their maximum load.
- Make sure that the wheelchair does not touch the ground or ramp due to the inclination of the wheelchair.
- Only negotiate ramps with the help of one or two attendants.

1. Adjust the position of backrest, seat and footrest to decrease the volume taken by the wheelchair and to increase the stability during inclination.
2. Remove the footrests, see §2.4.5.
3. Follow the instructions in §3.5.3.

3.5.5 Using stairs


CAUTION

Risk of injuries caused by tipping over

- Stairs should always be negotiated with the help of two attendants.
- Never try to use stairs that are not appropriate for wheelchairs.

To use the stairs while sitting in your wheelchair, the following instructions should be followed:

1. Remove the footrests, see §2.4.5.
2. One attendant tips the wheelchair slightly backwards by the handles.
3. The second attendant grabs the wheelchair at the front of the frame, on both sides of the wheelchair.
4. Stay calm, avoid sudden movements and keep your arms inside the wheelchair.
5. Both attendants lift and pull the wheelchair from step to step while the rear wheels roll over the steps.
6. After using the stairs, mount the footrests back in place, see §2.4.4.


 Figure 11 *Using stairs*

3.5.6 Coping with obstacles


CAUTION

Risk of injuries caused by tipping over

- Always ask assistance of one or two attendant (s).
- Make sure that the footplates won't touch ground while taking an obstacle. If necessary, remove the footrests.
- Do not use your wheelchair on an escalator.
- If available, wear your safety belt.

Small kerbs (up or down)

These can be taken forward (E / F) with one attendant:

1. The attendant moves the wheelchair forward approaching the kerb. Make sure the footplates won't touch the kerbs.
2. Lean backwards to reduce the pressure on the front wheels.
3. The attendant holds the handles firmly while moving forward. If necessary he uses the tip cap to keep the front wheels lifted until they have passed the kerb rim.
4. The attendant releases the pressure on the handles and tip cap to gently put the front wheels on the ground.
5. Next, he holds the handles firmly while pushing the wheelchair with the rear wheels up/down the kerb.

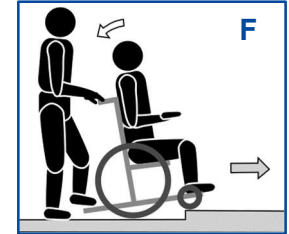


Figure 12 *Negotiating small kerbs with one attendant*

Medium kerbs (up or down)

These should be taken backwards with one attendant:

1. The attendant reverses the wheelchair so that rear wheels approach the kerb first (G / H).
2. Going down: Lean forward (G) to move your centre of gravity to the front.
- Going up: Lean backward (H) to move your centre of gravity to the back.
3. The attendant pulls the wheelchair gently from/on the kerb.



Figure 13 *Negotiating medium kerbs with one attendant*

Higher kerbs

Higher kerbs, but below maximum size, see §5, should be taken with help of two attendants.

Going down:

1. Remove the footrests.
2. The attendant moves the wheelchair forward approaching the kerb.
3. Lean backwards to reduce the pressure on the front wheels.
4. The attendant holds the handles firmly and uses the tip cap to keep the front wheels lifted till they have passed the kerb rim.
5. The second attendant grabs the front of the frame and moves backwards while pulling the rear wheels down the kerb.
6. The first attendant releases the pressure on the handles and tip cap to put the front wheels on the ground.

Going up:

1. Remove the footrests.
2. The first attendant reverses the wheelchair so that rear wheels approach the kerb first.
3. Lean backward to move your centre of gravity to the back.
4. The second attendant grabs the front of the frame and moves forward while pulling/pushing the rear wheels on the kerb. The first attendant lifts and holds the handles firmly to prevent the wheelchair from tipping over.

3.6 Using the handset


CAUTION

Risk of injuries or damage

- Only a capable user or his/her authorized and trained staff are allowed to operate the handset.
- Be aware that the stability decreases when the wheelchair is moved from sitting upright to inclined position.


CAUTION

Risk of damage

- Make sure that there is enough space around the wheelchair to operate the backrest and seat.
- Make sure that no objects get trapped between the moving parts.

The wheelchair is delivered with a handset to operate the moveable parts. Use as follows:

1. Apply the parking brakes, see §3.1.
2. Connect the power cable to the 220/230V AC power socket.
3. Wait for at least 15 seconds. The indicator light (e) goes on.
4. To operate, press and hold one of the buttons (a – d).
5. To stop the movement, release the button.

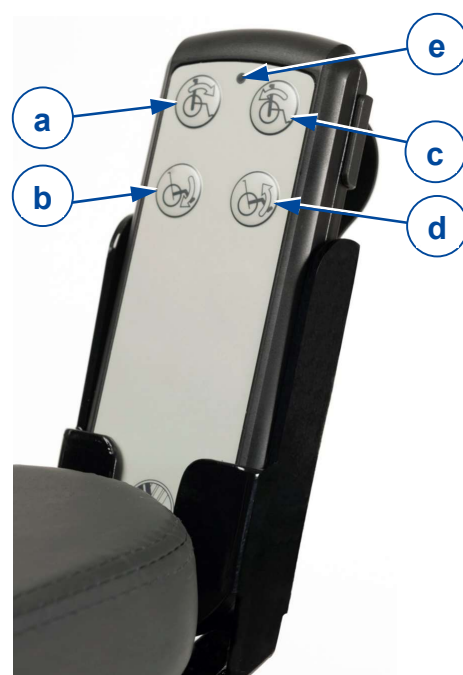


Figure 14 Handset in handset holder

Operating buttons:

- (a) Backrest – Raising to upright sitting position
- (b) Seat – Lowering to sitting position
- (c) Backrest – Lowering to reclined position
- (d) Seat – Raising to reclined position

For more information on the inclination angles of backrest and seat, see chapter 5.

3.7 Battery status and charging


WARNING

Risk of injuries and damage due to fire

- Only use the power adapter delivered with the wheelchair. The use of any other adapter may be dangerous (fire hazard).
- The power adapter is only intended to charge the battery delivered with the wheelchair, not to charge any other batteries.
- Do not adapt any of the delivered parts, like cables, plugs or power adapter. Never open or change the battery or the connection points.
- Protect the battery and power adapter against flames, high temperatures (>45°C), moisture, sunshine, severe shocks (for example dropping). Do NOT use the battery if it has been subjected to any of these circumstances.
- Charge the battery with the power adapter, indoors, in a well-ventilated area, out of children's reach. Do not use any power strip or extension cord for charging.


CAUTION

Risk of damage

- Read the storage and maintenance instructions in §4.1 and the technical details in chapter 5.
- Never completely discharge the battery.

- Do not interrupt the charging cycle; only disconnect the battery charger when the battery is fully charged.
- The lifespan reduces if the battery is exposed to extreme cold for a longer period of time.
- Keep the connection point for the power adapter free of dust and other contamination.
- Use the power adapter directly on the power-supply socket (without time switch).
- In case of any problems whereby the battery cannot be charged according to the following instructions, please contact your specialist dealer.
- Due to quiescent current, the battery will discharge itself if the wheelchair is not used for a period of time. We therefore advise you to still charge the battery regularly.

3.7.1 Battery status

The indicator light (65) on the battery housing shows the status of the battery capacity according to signalling codes in table 1.



Figure 15 Battery location on wheelchair

Table 1: Code of battery indicator

Indication code	Meaning
GREEN, continuously ON	Battery is connected to power supply and is charging normally (battery capacity between 70 and 100%). <ul style="list-style-type: none"> • Keep the battery connected to the power supply until fully charged.
GREEN, blinking fast; 1 second ON, 1 second OFF	Battery is connected to power supply and is charging normally (battery capacity below 70%). <ul style="list-style-type: none"> • Keep the battery connected to the power supply until fully charged.
GREEN, blinking slow; 0,5 second ON, 4 seconds OFF	Normal discharge of the battery (battery capacity between 25 and 100%)
ORANGE, blinking slow; 0,5 second ON, 4 seconds OFF	Battery needs charging (battery capacity below 25%). <ul style="list-style-type: none"> • Charge the battery.
ORANGE, continuously ON	Indicates a failure. The battery may be disconnected or there is an electrical problem. <ul style="list-style-type: none"> • Contact your specialist dealer for support or replacement.
Light indicator continuously OFF	Battery protection is applied and operation is blocked/stopped when: <ul style="list-style-type: none"> ◦ Overcurrent exists for more than 10 seconds ◦ Low voltage may cause over-discharging. This is when the battery capacity drops below 20%. • Charge the battery.

3.7.2 Charging the battery

To charge the battery:

1. FIRST connect the power adapter to a 230V AC power socket. The indicator (66) goes on (green) to show that the adapter is powered. If not, do not use the charger and contact your specialist dealer.
2. Plug the adapter plug (67) in the socket (68) of the charging point, see Figure 16. Make sure that the recess of the plug slides over the protruding part inside the socket.
3. Wait until the battery indicator light (66) turns green (capacity above 70%) and keep charging during the next 10 hours.
4. Disconnect the power adapter.
5. Remove the power adapter from the socket, let it cool down and store it dry in the pocket.



Figure 16 *Location of connection point*

- i** Depending on the battery condition, the battery needs to be charged for minimal 10 hours up to and more than 24 hours, when discharged below 25% capacity. Charging for a longer period won't harm the battery. The charging process can be stopped or started any time by following the instructions above.

4 Maintenance

Your wheelchair requires minimum maintenance, but it is advisable to inspect the wheelchair regularly in order to drive trouble-free for years.

4.1 Points of maintenance

 **CAUTION** Risk of injuries and damage

Repairs and replacements may only be undertaken by trained persons and only genuine replacement parts of Vermeiren should be used.

- i** The last page of this manual contains a registration form for the specialist dealer to record each service.

The service frequency depends on the frequency and intensity of use. Contact your dealer to agree to a common timetable for inspection/maintenance/repair.

Before each use

Inspect the following points:

- All parts: Present and undamaged or unworn.
- All parts: Clean, see § 4.2.2.
- Wheels, seat, leg rests, arm rests, foot rests, footplates and headrest (if applicable): Well secured.
- Battery status: Charge the battery when necessary, see §3.7.
- Handset, battery, junction box, motor, power adapter and relevant cables: No damage like wires that are frayed, broken or that become exposed.
- Condition of wheels/tyres, see § 4.2.1.
- Condition of brakes, see § 4.2.1.
- Condition of frame: No deformation, instability, weakness or loose connections
- Seat, backrest, arm pads, leg pads and head rest (if applied): No excessive wear (like dented spots, damage or tears).

Contact your specialist dealer for possible repairs or part replacements.

Every six months

If your wheelchair is stored for a longer period, you still need to charge the batteries once every 6 months for at least 24 hours. For more information, see § 3.5.

Yearly or more often

Have your wheelchair inspected and serviced by your specialist dealer, at least once a year, or more often. The minimum maintenance frequency depends on use and should therefore be commonly agreed on with your specialist dealer.

If stored

Make sure that your wheelchair is stored dry to prevent mould from growing and the upholstery from being damaged.

4.2 Instructions of maintenance

4.2.1 Wheels and tyres

- i** Proper working of the brakes depends on the state of the tyres, that can change due to wear and contamination (water, oil, mud, ...).

- Keep your wheels free of wires, hair, sand and carpet fibres.
- Check the profile of the tyres. If the tread depth is less than 1 mm, the tyres need to be replaced. Contact your specialist dealer for this matter.

4.2.2 Cleaning

 CAUTION Risk of damage by moisture

- Keep the handset clean and protect it from water and rain.
- Never use a hose or high-pressure cleaner to clean the wheelchair.

Wipe all rigid parts of the wheelchair with a damp cloth (not drenched). If necessary, use a mild soap, suitable for varnishes and synthetics.

The upholstery can be cleaned with lukewarm water and a mild soap. Do not use abrasive cleaning agents to clean.

4.2.3 Disinfection

 CAUTION Risk of damage

Disinfections may only be undertaken by trained persons. Consult your specialist dealer.

4.3 Troubleshooting

Even if you use your wheelchair properly, a technical problem may occur. In this case, contact your local specialist dealer.

 WARNING Risk of injuries and damage to the wheelchair

- NEVER attempt to repair your wheelchair yourself.

The following symptoms may indicate a serious problem. Therefore, always contact your specialist dealer if you spot any of the following deviations:

- Strange sound;
- Frayed/damaged wiring harnesses;
- Cracked or broken connectors;
- Wheelchair is powered, but operation of the handset gives no result, see §3.7.

4.4 Expected lifespan

The average lifespan of your wheelchair is 5 years. Depending on the frequency of use, driving circumstances and maintenance, the lifespan of your wheelchair will increase or decrease.

4.5 End of use

At end of life, you need to dispose your wheelchair according to the local environmental legislation. The best way to do so, is to disassemble the wheelchair to facilitate the transport of recyclable parts.

5 Technical specifications

The technical details below are only valid for this wheelchair, at standard settings and optimal ambient conditions. Take these details into account during use.

The values are no longer applicable if your wheelchair has been modified, damaged or suffers from severe wear.

Table 2: Technical specifications

Brand	Vermeiren
Type	Wheelchair
Model	Inovys II-E

Description	Dimensions for all configurations
Max. weight of user	135 kg
Static stability downhill	10° **
Static stability uphill	15° **
Static stability sideways	12° **
Obstacle climbing	60 mm

Description	Min.	Max.
Overall length with footrests (depends on seat-depth adjustment)	1050 mm	1090 mm
Dismantled length without footrests (depends on seat-depth adjustment)	830 mm	870 mm
Total height (without headrest)	990 mm	1060 mm
Dismantled height (with folded backrest, without armrests)	710 mm	780 mm
Seat plane angle	0°	+21°
Effective seat depth	460 mm	520 mm
Seat surface height at front edge (with cushion)	460 mm	530 mm
Backrest angle	0°	+54°
Backrest height	550 mm	585 mm
Distance between footrest and seat	400 mm	570 mm *
Angle foot plate	80°	100°
Angle between seat and footrest	104°	194°
Distance between armrest and seat	220 mm	320 mm
Front location of armrest structure	460 mm	490 mm

Description	Dimensions per configuration	
Diameter Rear wheels	16" (T30) with drum brakes	24"
Hand rim diameter	NA	535 mm
Effective seat width	400 mm	500 mm
Overall width (depends on the seat width)	630 mm	730 mm
Dismantled width (without armrest)	600 mm	700 mm
Footplate width (minimum – maximum)	44-46 mm	48-50 mm
Diameter steering wheels	200 mm	200 mm
Horizontal location of axle (deflection)	-8 mm - 41 mm	-4 mm - 42 mm
Total mass	41,7 kg	40,9 kg



Mass of heaviest part	27,1 kg	22,9 kg
Masses of removable parts		
Footrests	4,80 kg	4,80 kg
Armrests	3,8 kg	3,8 kg
Rear wheels	NA	3,6 kg
Backrest	3,6 kg	3,6 kg
Battery	2,2 kg	2,2 kg
Turning radius (diameter)	1520 mm	1620 mm
Description	Specification for all configurations	
Strength tests according to	ISO 7176-8	
Ignitability of upholstery according to	ISO 7176-16	
EMC compliance	ISO 7176-21 / EN 61000-3-2 and EN 61000-3-3	
Power adapter / Transformer	Input: 100-240 V AC, 50/60Hz Max. output: 29V DC, 2.5A Protection class: IP66 Duty cycle: 2 min ON / 18 min OFF	
Battery	Capacity: 1,2 Ah Input: 29~45V DC Output: 24V DC, 1.2A Protection class: IP66 Duty cycle: 10% (2 min. ON / 18 min. OFF)	
Motor (2x)	Capacity: 1500N Motor speed: 2200RPM Umax 24VDC; Imax. 2,2 A Protection class: IP66, Duty cycle: 10% (Max.2 min. ON / 18 min. OFF)	
Handset	Protection class: IP66	
Use and storage temperature (battery)	+ 5 °C ~ + 45°C	
Storage and use humidity	30% ~ 70%	
We reserve the right to introduce technical changes. Measurement tolerance ± 15 mm / 1,5 kg / 1,5°.		
(*) Do not adjust the footrest in maximum length to prevent the footplate from touching the ground.		
(**) Tested in standard configuration		
NA Not applicable		

Table des matières

Préface	2
1 Votre produit	3
1.1 Description	3
1.2 Accessoires	4
2 Avant l'utilisation	5
2.1 Usage prévu	5
2.2 Consignes générales de sécurité.....	5
2.3 Les symboles sur le fauteuil roulant.....	5
2.4 Transport et (dé)montage	6
2.5 Première utilisation et stockage	11
3 Utilisation de votre fauteuil roulant	12
3.1 Freins de stationnement (uniquement pour roues 22"/24").....	12
3.2 Freins à tambour (uniquement pour les roues fixes 16").....	12
3.3 Se déplacer du/vers le fauteuil roulant.....	13
3.4 Réglages de confort.....	13
3.5 Rouler	15
3.6 Utilisation de la télécommande	18
3.7 État de la batterie et recharge.....	18
4 Entretien	21
4.1 Points d'entretien	21
4.2 Instructions d'entretien	22
4.3 Résolution des problèmes	22
4.4 Durée de vie attendue.....	22
4.5 Mise au rebut	22
5 Caractéristiques techniques	23

Préface

Félicitations ! Vous êtes à présent l'heureux propriétaire d'un fauteuil roulant Vermeiren !

Ce fauteuil roulant a été fabriqué par un personnel qualifié et responsable. Il est conçu et produit conformément aux normes de qualité élevées appliquées par Vermeiren.

Merci de la confiance que vous accordez aux produits de Vermeiren. Ce manuel est destiné à vous aider dans l'utilisation de ce fauteuil roulant et de ses options de fonctionnement. Veuillez le lire attentivement. Vous pourrez ainsi vous familiariser avec le fonctionnement, les capacités et les limites de votre fauteuil roulant.

Si vous avez encore des questions après la lecture de ce manuel, n'hésitez pas à prendre contact avec votre revendeur spécialisé. Il vous aidera volontiers.

Remarque importante

Pour assurer votre sécurité et prolonger la durée de vie de votre produit, prenez-en grand soin et faites-le contrôler ou entretenir régulièrement.

La garantie sur ce produit est basée sur une utilisation et un entretien normaux, tels que décrits dans le présent manuel. Les dommages à votre produit dus à un usage inapproprié ou à un manque d'entretien auront pour effet d'annuler la garantie.

Ce manuel est le reflet des derniers développements du produit. Vermeiren a le droit d'apporter des modifications à ce type de produit sans être tenu d'adapter ou de remplacer des produits similaires fournis précédemment.

Les illustrations du produit sont utilisées afin de clarifier les instructions de ce manuel. Les détails du produit illustré peuvent diverger de votre produit.

Informations disponibles

Sur notre site Internet <http://www.vermeiren.com/>, vous trouverez toujours la dernière version des informations décrites dans le présent manuel. Veuillez consulter régulièrement ce site Internet pour connaître les éventuelles mises à jour.

Les personnes malvoyantes peuvent télécharger la version électronique de ce manuel et la lire au moyen d'une application de texte-parole.



Manuel d'utilisation
Pour l'utilisateur et le revendeur spécialisé



Manuel d'installation
Pour le revendeur spécialisé



Manuel d'entretien des fauteuils roulants
Pour le revendeur spécialisé

1 Votre produit

1.1 Description

Ce fauteuil roulant Inovys II-E est facile d'emploi et peut être utilisé tant à l'intérieur qu'à l'extérieur. Il est pliable, ce qui permet un rangement très compact. Le fauteuil roulant existe en différentes tailles et peut être facilement étendu de pièces en option afin d'améliorer le confort de l'utilisateur.

L'illustration suivante montre tous les éléments qui concernent l'utilisateur. Dans la section relative à l'utilisation et à l'entretien, ces pièces sont décrites si nécessaire.

i Avant d'utiliser votre fauteuil roulant, vérifiez les détails techniques et les limites de l'usage visé, voir chapitre 5.



Figure 1 *Pièces importantes*

- | | | |
|------------------------------|-----------------------------|--|
| 1. Appuie-tête (en option) | 7. Sangle pour le pied (2x) | 13. Roue arrière (2x) |
| 2. Dossier | 8. Repose-jambes (2x) | 14. Main courante (2x) |
| 3. Manchette | 9. Accoudoir (2x) | 15. Poignée de poussée avec poignée (2x) |
| 4. Télécommande | 10. Frein (2x) | 16. Support d'appuie-tête (en option) |
| 5. Repose-jambes (2x) | 11. Roue avant (2x) | |
| 6. Palette repose-pieds (2x) | 12. Cadre | |



Figure 2 *Pièces importantes, suite*

1.2 Accessoires

Les accessoires suivants sont disponibles pour l'Inovys II-E :

- Table en bois (B12)
- Appuie-tête (L55, L58)
- Ceinture de sécurité personnelle (B58)
- Cale horizontale (B22)
- Accoudoirs pour hémiplégique (B66)

Pour de plus amples informations, veuillez consulter votre revendeur spécialisé.

2 Avant l'utilisation

2.1 Usage prévu

Ce paragraphe vous donne une brève description de l'usage prévu de votre fauteuil roulant. Des avertissements pertinents ont également été ajoutés aux instructions dans les autres paragraphes. Nous aimerions ainsi attirer votre attention sur un usage inapproprié éventuel qui pourrait survenir.

- Ce fauteuil roulant convient à un usage à l'intérieur et à l'extérieur.
- Ce fauteuil roulant est conçu et fabriqué uniquement pour le transport d'une (1) personne d'un poids maximum de 135 kg. Il n'est pas destiné au transport de biens ou d'objets, ni à tout autre usage que celui décrit précédemment.
- Suivant son type de roues, votre fauteuil roulant peut être utilisé par un accompagnateur ou par l'utilisateur assis sur le fauteuil roulant. Vous ne devez PAS utiliser ce fauteuil roulant sans accompagnateur si vous souffrez de handicaps physiques ou mentaux qui pourraient vous mettre, vous-même ou d'autres personnes, en danger pendant la conduite. C'est pourquoi vous devez d'abord consulter votre médecin et vous assurer que votre commerçant spécialisé est informé de cet avis.
- Ce fauteuil roulant n'est pas destiné à servir de siège dans un véhicule motorisé.
- Utilisez uniquement des accessoires et des pièces de rechange approuvés par Vermeiren.

Consultez également les détails techniques et les limites de votre fauteuil roulant au § 7.

2.2 Consignes générales de sécurité

 **ATTENTION** Risque de blessures et/ou de dommages

Veillez lire et suivre les instructions stipulées dans le présent manuel d'utilisation. Autrement, vous pourriez vous blesser ou votre fauteuil roulant pourrait être endommagé.

Tenez compte des avertissements généraux suivants pendant l'emploi :

- N'utilisez pas votre fauteuil roulant si vous êtes sous l'influence de l'alcool, de médicaments ou d'autres substances qui peuvent influencer vos capacités de conduite. Il en va de même pour votre accompagnateur actionnant le fauteuil roulant.
- N'oubliez pas que certaines parties de votre fauteuil roulant peuvent devenir très chaudes ou très froides en fonction de la température ambiante, des rayons du soleil ou des dispositifs de chauffage. Faites donc attention lorsque vous les touchez. Portez des vêtements de protection s'il fait froid. Lorsque vous sortez, des gants peuvent être utilisés pour améliorer la prise sur les mains courantes.
- Veuillez suivre les instructions pour le nettoyage et les contrôles. Le fabricant n'est pas responsable des dommages résultant d'une mauvaise inspection ou d'un mauvais entretien.

2.3 Les symboles sur le fauteuil roulant

Les symboles de la liste suivante concernent votre fauteuil roulant. Vous trouverez les symboles dans les normes ISO correspondantes (ISO 7000, ISO 7001 et CEI 417).



Poids maximum de l'utilisateur en kg



Usage à l'extérieur/intérieur (batterie et adaptateur non compris)



Pour usage à l'intérieur uniquement (batterie et adaptateur)



Déclivité sûre maximale en ° (degrés).



km/h

Vitesse maximale



N'est pas destiné à servir de siège dans un véhicule motorisé



Indication du type

2.4 Transport et (dé)montage

2.4.1 Dégagement de l'espace

Déplacez le fauteuil roulant en utilisant ses roues et roulez-le vers la destination.

Si ce n'est pas possible, et si le démontage n'est pas souhaité, demandez de l'aide pour soulever le fauteuil roulant. Saisissez fermement le cadre des deux mains et soulevez-le du sol. N'utilisez pas les palettes repose-pieds ou les accoudoirs, ou encore les roues pour saisir le fauteuil roulant.

2.4.2 Transport par avion

Étant donné que le fauteuil électrique est doté d'une batterie au plomb, il n'est pas possible de le transporter (en entier) par avion. Si vous envisagez de le faire, consultez votre compagnie aérienne avant de réserver votre vol. Il est également possible de retirer la batterie et d'en acheter une nouvelle à votre arrivée. Contactez votre revendeur spécialisé pour des informations.

2.4.3 Transport dans un véhicule



AVERTISSEMENT

Risque de blessures

- N'utilisez PAS votre fauteuil roulant comme siège dans un véhicule, voir symbole.
- N'utilisez jamais la même ceinture de sécurité pour le passager et le fauteuil roulant.



1. Utilisez la télécommande pour remettre votre fauteuil roulant en position assise, cf. §3.6.
2. Démontez et soulevez le fauteuil roulant dans le véhicule conformément aux instructions au §2.4.4.
3. Rangez le fauteuil roulant et ses pièces dans le coffre du véhicule. Si le coffre n'est PAS séparé de l'habitacle du véhicule ou fermé, fixez fermement le fauteuil roulant dans le véhicule.

i Vous pouvez utiliser une rampe pour pousser le fauteuil roulant à l'intérieur du véhicule, cf. 3.5.4. Serrez les freins de stationnement après le chargement, cf. §3.1.

2.4.4 Assemblage



ATTENTION

Risque de blessures ou de dommages

- Veillez à ne pas vous coincer les doigts, vêtements ou boucles pendant l'assemblage.
- Tenez toujours compte de l'amplitude du repose-pied pour ne pas blesser les personnes ou endommager les objets aux alentours.
- Avant l'emploi, assurez-vous toujours que toutes les pièces assemblées ont bien été attachées.



Figure 3 *Cadre de base Inovys II-E avec roues 16" et 24" - pièces démontées*



[1]

- Placez le fauteuil roulant avec les quatre roues sur le sol.
- Ouvrez le cadre du dossier (34).



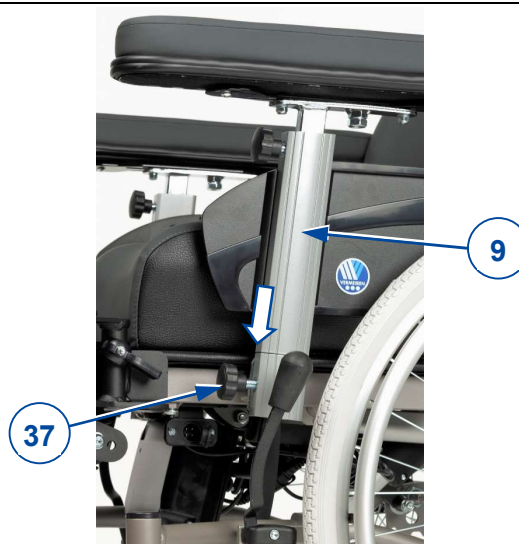
[2]

- Installez l'avant du moteur sur le cadre du dossier à l'aide d'une goupille de fixation (33) et verrouillez sa bague.
- Assurez-vous que le cadre du dossier est bien fixé au moteur.



[3]

- Insérez le dossier avec ses quatre vis dans les quatre supports (35) du cadre de dossier.
- Serrez manuellement les deux molettes supérieures(36).
- Assurez-vous que le dossier est bien serré.



[4]

- Tournez la molette (37) du support de dossier dans le sens anti-horaire et retirez-la.
- Insérez l'accoudoir (9) dans son support.
- Insérez la molette (37) et tournez-la dans le sens horaire jusqu'à ce qu'elle soit serrée manuellement.
- Assurez-vous que l'accoudoir est bien serré.
- Répétez l'opération pour le deuxième accoudoir.



[5]

- Maintenez le repose-jambes (5) sur le côté et insérez-le dans le support du repose-pied (39). Assurez-vous que le trou pour le repose-jambes (44) s'adapte à la partie inférieure du support et que la goupille du repose-jambes (38) est insérée dans le support supérieur.
- Basculez le repose-jambes (5) vers l'intérieur jusqu'à ce qu'il se bloque en position.
- Répétez cette opération pour le deuxième repose-jambes.



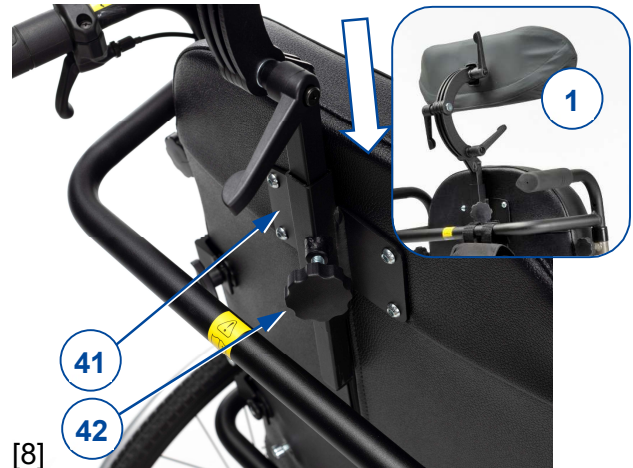
[6]

- Basculez la palette repose-pieds (6) vers le bas.
- Répétez l'opération pour la deuxième palette repose-pied.



[7]

- Basculez le support de repose-jambes (40) vers l'intérieur.
- Tournez le repose-jambes (8) vers l'arrière.
- Répétez cette opération pour le deuxième repose-jambes.



[8]

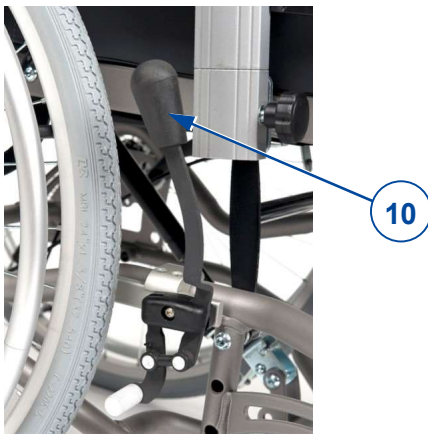
- (Si applicable) montez l'appuie-tête (1) avec le tube carré dans le support d'appuie-tête (41) sur le dossier.
- Serrez bien la molette (42) à la main.

Le fauteuil roulant est maintenant prêt à être utilisé.

2.4.5 Démontage

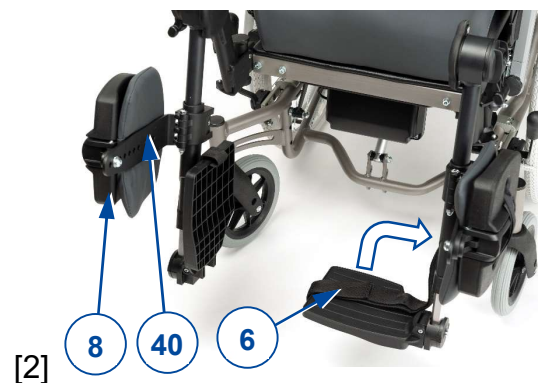
ATTENTION Risque de blessures ou de dommages

- Veillez à ne pas vous coincer les doigts, vêtements ou boucles pendant le démontage.
- Tenez toujours compte de l'amplitude du repose-pied pour ne pas blesser les personnes ou endommager les objets aux alentours.



[1]

- Actionnez les deux freins de stationnement à l'aide du levier de frein (10), cf. §3.1.



[2]

- Fermez le repose-jambes (8) et tournez son support (40) vers l'extérieur.
- Répétez cette opération pour l'autre repose-jambes.
- Repliez les deux palettes repose-pieds (6) vers le haut.



[3]

- Tirez le levier du repose-jambes (50) et tournez le repose-jambes (5) vers l'extérieur.
- Soulevez le repose-jambes pour le retirer.
- Répétez cette opération pour l'autre repose-jambes.



[4]

- Tournez la molette (37) dans le sens anti-horaire.
- Tirez et retenez la molette tout en tirant l'accoudoir (9) de son support.
- Resserrez la molette (37).



[5]

- (Si applicable) démontez l'appuie-tête (1):
 - Desserrez la molette (42) du support d'appuie-tête et retirez-la.
 - Tirez l'appuie-tête vers le haut jusqu'à ce qu'il soit libéré du support sur le dossier.



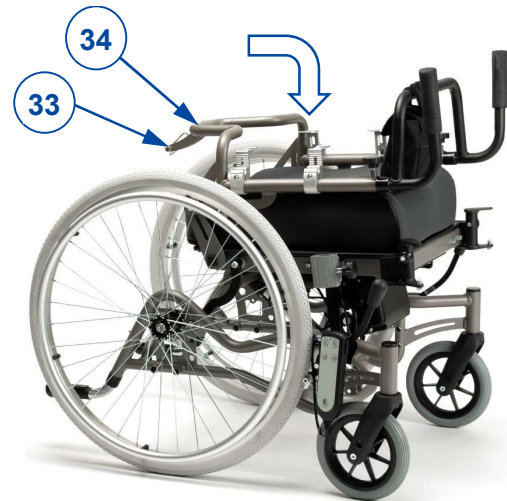
[6]

- Desserrez manuellement les deux molettes supérieures (36) du dossier à la main.
- Tirez le dossier vers le haut jusqu'à ce qu'il sorte des quatre supports (35).



[7]

- Démontez le moteur du cadre de dossier en ouvrant la bague de la goupille de fixation (33) et retirez-le.



[8]

- Repliez le cadre de dossier (34) sur le siège.
- Réinsérez la goupille de fixation (33) dans le cadre.

2.4.6 (Dé)montage des roues arrière (uniquement pour 22"/24") :

Pour le transport, il pourrait être nécessaire de (dé)monter les roues arrière.

Retrait des roues arrière :

1. Enfoncez et maintenez le bouton (43) en faisant glisser l'axe de roue de l'axe.
2. Répétez cette opération pour l'autre roue et posez délicatement le fauteuil roulant sur les embouts de basculement.

Installation des roues arrière :

1. Saisissez l'une des roues arrière et soulevez le fauteuil roulant sur un côté.
2. Enfoncez et maintenez le bouton (43) en faisant glisser l'axe de roue sur l'axe.
3. Relâchez le bouton pour bloquer la roue.
4. Répétez cette opération pour l'autre roue. Assurez-vous que les deux roues sont bien fixées.



2.5 Première utilisation et stockage

ATTENTION Risque d'endommagement de la batterie

- Ne déchargez jamais complètement la batterie.
- N'interrompez pas le cycle de recharge ; débranchez uniquement le chargeur de batterie lorsque la batterie est complètement chargée.
- Assurez-vous que votre fauteuil roulant est entreposé au sec pour éviter la formation de moisissure et l'endommagement du rembourrage.
- Vérifiez les détails techniques pour le stockage, cf. chapitre 5.

Assurez-vous que toutes les connexions de la batterie sont branchées et que la batterie est complètement chargée avant d'utiliser le fauteuil roulant, demandez au revendeur si cela a déjà été fait ou non. Pour recharger, suivez les instructions de recharge au §3.7.

3 Utilisation de votre fauteuil roulant

⚠ Avertissement Risque de blessures

- Lisez d'abord les chapitres précédents et informez-vous à propos de l'usage visé. N'utilisez PAS votre fauteuil roulant sans avoir d'abord lu et bien compris toutes les instructions.
- En cas de doutes ou de questions, n'hésitez pas à contacter votre revendeur local, votre prestataire de soins ou votre conseiller technique qui pourra vous aider.

3.1 Freins de stationnement (uniquement pour roues 22"/24")

⚠ Attention Risque de blessures

- N'utilisez le levier de frein que lorsque votre fauteuil roulant est immobilisé.
- Faites-vous aider pour actionner le levier de frein si votre mobilité est réduite.
- Assurez-vous que le fauteuil roulant est sur une surface plane horizontale avant de lâcher les freins.
- Ne lâchez jamais les deux freins en même temps.
- Seul votre revendeur spécialisé peut effectuer le réglage des freins.

⚠ Attention Risque de dommages

- N'utilisez pas les freins de stationnement pour ralentir le fauteuil roulant pendant le mouvement.

Votre fauteuil roulant est équipé de deux freins de stationnement manuels. Ces freins sont destinés à prévenir le mouvement du fauteuil roulant lorsqu'il est garé.

Relâcher les freins [A] :

1. Tenez une main courante d'une main (ou votre accompagnateur tient la barre de poussée d'une main).
2. Tirez le levier de frein (10) de l'AUTRE roue vers l'ARRIÈRE.
3. Répétez cette opération pour les deuxièmes roue et frein de stationnement.

Actionner les freins [B] :

1. Tenez une main courante d'une main (ou votre accompagnateur tient la barre de poussée d'une main).
2. Poussez le levier de frein (10) de l'AUTRE roue vers L'AVANT jusqu'à ce que vous entendiez clairement un déclic.
3. Répétez cette opération pour les deuxièmes roue et frein de stationnement.

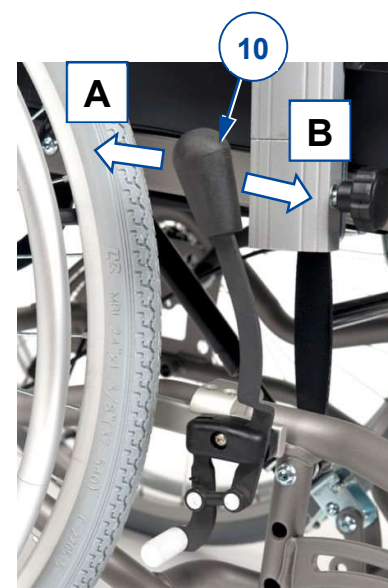


Figure 4 *Actionner les freins de stationnement*

3.2 Freins à tambour (uniquement pour les roues fixes 16")

⚠ Attention Risque de blessures

- Assurez-vous que le fauteuil roulant est sur une surface plane horizontale avant de lâcher les freins.
- Ne lâchez jamais les deux freins en même temps.
- Pour stationner ou s'arrêter dans une pente, utilisez les freins de stationnement après en arrêt.
- Seul votre revendeur spécialisé peut effectuer le réglage des freins.

Pour actionner les freins à tambour :

1. Tirez les leviers de freins (60) dans un mouvement de compression.
2. Chaque levier de frein (60) peut être bloqué en poussant le levier de blocage (61) vers le bas avec votre doigt.
3. Relâchez les leviers de frein (60).


Pour vous déplacer/rouler à nouveau :

1. Tirez les leviers de freins (60) dans un mouvement de compression. Le levier de blocage (61) est libéré par ce mouvement.
2. Tenez les poignées fermement lorsque vous libérez les leviers de frein (60).



Figure 5 **Actionner les freins à tambour**

3.3 Se déplacer du/vers le fauteuil roulant

 **ATTENTION** Risque de blessures ou de dommages

- Si vous ne pouvez pas réaliser le transfert de manière sûre, demandez à quelqu'un de vous aider.
- Ne vous reposez pas sur les palettes repose-pieds pendant le transfert de ou vers le fauteuil.

Transfert

1. Positionnez le fauteuil roulant aussi près de vous que possible lorsque vous êtes assis sur une chaise, un fauteuil, un siège ou un lit.
2. Actionnez les deux freins de stationnement pour bloquer le mouvement, cf. §3.1.
3. Utilisez la télécommande pour déplacer le dossier et le siège en position assise, cf. §3.6.
4. Relevez les repose-pieds pour ne pas vous y appuyer, ou tournez les repose-jambes sur le côté pour libérer le passage pour le transfert.
5. Si nécessaire, retirez l'accoudoir et/ou le repose-jambes d'un côté (cf. §2.4.5).
6. Faites le transfert du ou vers le fauteuil roulant en utilisant la force de vos bras, ou avec l'aide d'un accompagnateur ou d'un équipement de levage.

S'asseoir sur le fauteuil roulant

1. Asseyez-vous sur le siège, le bas du dos contre le dossier.
2. Réinstallez l'accoudoir et/ou le repose-jambes si vous les aviez enlevés.
3. Retournez les repose-jambes vers l'avant, tournez les palettes repose-pieds vers le bas, et posez vos pieds sur les palettes repose-pieds.
4. Assurez-vous que le haut de vos jambes est à l'horizontale et que vos pieds sont dans une position confortable ; ajustez le fauteuil roulant selon les instructions du § 3.4.

3.4 Réglages de confort

 **ATTENTION** Risque de blessures ou de dommages

- Les réglages de confort suivants peuvent être effectués par un accompagnateur ou le personnel soignant. Tous les autres réglages sont effectués par votre revendeur spécialisé.
- Tenez toujours compte de l'amplitude du repose-pied pour ne pas blesser les personnes ou endommager les objets aux alentours.
- Veillez à ne pas vous coincer les doigts, vêtements ou boucles pendant le réglage.

3.4.1 Hauteur de l'accoudoir

Les manchettes (3) du fauteuil roulant peuvent être réglées à 6 hauteurs différentes :

1. Faites tourner la molette (45) dans le sens anti-horaire pour déverrouiller l'accoudoir.
2. Tirez et retenez la molette pour libérer le tube intérieur de l'accoudoir (9).
3. Faites glisser le tube intérieur de l'accoudoir (9) vers le haut/bas dans le support (46) jusqu'à la hauteur désirée. Assurez-vous que les trous du tube intérieur/extérieur sont alignés.
4. Resserrez la molette (45) en la tournant dans le sens horaire.
5. Répétez l'opération pour le deuxième accoudoir. Assurez-vous que les accoudoirs sont bien serrés.



Figure 6 Réglage de la hauteur de l'accoudoir

3.4.2 Hauteur des poignées de poussée/barre de poussée

 **ATTENTION** Risque de blessures

Utilisez toujours les trous de réglage disponibles sur la poignée de poussée. Ne dépassez jamais le réglage de hauteur maximum.

Les poignées de poussée (16) et la barre de poussée (23) sont reliées entre elles et peuvent être réglées à 7 hauteurs différentes de la manière suivante :

1. Desserrez les deux molettes (31) des supports de poignée et retirez-les.
2. Réglez la hauteur des deux poignées de poussée simultanément en les faisant coulisser vers le haut/bas le long des supports. Assurez-vous que les trous du tube intérieur/extérieur sont alignés.
3. Insérez les deux molettes (31) dans les supports et les trous de réglage.
4. Tournez les mollettes dans le sens horaire jusqu'à ce qu'elles soient serrées manuellement.
5. Assurez-vous que les poignées de poussée sont bien serrées.



Figure 7 Réglage de la hauteur de la poignée de poussée

3.4.3 Inclinaison du repose-jambes

1. Relâchez le levier (62) au point de rotation.
2. Réglez l'inclinaison du repose-jambes en relevant/abaissant les palettes repose-pieds (entre 100° - 190°).
3. Resserrez le levier (62) à fond à la main.
4. Répétez cette opération pour le deuxième repose-jambes. Assurez-vous que les deux repose-jambes sont bien fixés.



Figure 8 Réglage de l'inclinaison de repose-pied

3.4.4 Hauteur de capuchon d'embout

1. Appuyez sur le bouton à ressort et maintenez-le enfoncé (63).
2. Faites coulisser le tube du capuchon d'embout (64) le long du tube du châssis.
3. Relâchez le bouton à ressort.
4. Répétez cette opération pour le deuxième capuchon d'embout. Assurez-vous que les deux capuchons d'embout sont bien serrés.

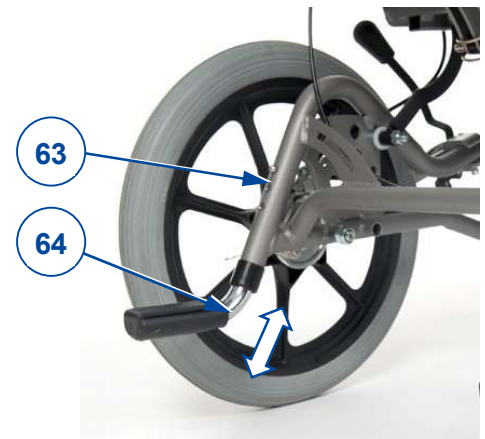



Figure 9 Réglage de la hauteur du capuchon d'embout

3.5 Rouler

- i** Suivant votre état de santé et le type de fauteuil roulant, vous pouvez utiliser le fauteuil roulant vous-même ou le faire pousser par un accompagnateur.

 **ATTENTION** Risque de coincement

- Faites attention de ne pas vous coincer les doigts dans les rayons des roues.
- Faites attention de ne pas vous coincer les mains sur les mains courantes lorsque vous roulez dans des passages étroits
- Lorsque vous vous déplacez avec un accompagnateur, gardez vos mains à l'écart des roues et laissez vos pieds sur la palette repose-pieds.

 **ATTENTION** Risque de blessures et de dommages

- Ne roulez PAS sur des pentes, des obstacles, des marches ou des bordures plus larges que la dimension décrite dans les spécifications techniques au chapitre 5.
- Ne vous mêlez pas à la circulation sur la chaussée avec votre fauteuil roulant. Restez toujours sur le trottoir.
- Ne tenez pas les poignées avec des mains mouillées.
- Faites attention s'il y a des trous ou des fissures dans la route qui peuvent coincer les roues.
- Évitez les pierres et autres objets qui peuvent bloquer les roues.
- Tenez toujours compte de l'amplitude du repose-pied pour ne pas blesser les personnes ou endommager les objets aux alentours.
- Avant tout usage, assurez-vous que :
 - tous les réglages sont fermement fixés, voir § 3.4.
 - les freins de stationnement fonctionnent correctement,
 - les pneus sont en bon état, cf. §4.

3.5.1 Rouler avec un accompagnateur

1. Release Lâchez les freins ou demandez à l'accompagnateur de le faire pendant qu'il/elle maintient le fauteuil roulant pour l'empêcher de se déplacer, cf. §3.1 ou §3.2.
2. L'accompagnateur saisit les poignées ou la barre de poussée pour pousser le fauteuil roulant dans la direction souhaitée.
3. Une fois à l'arrêt, actionnez les freins tout en immobilisant le fauteuil roulant, cf. §3.1 ou §3.2.

3.5.2 Rouler par vos propres moyens

1. Lâchez l'un après l'autre les freins de stationnement, cf. §3.1.
2. Posez vos mains sur la position la plus élevée des deux mains courantes.
3. Penchez-vous en avant et poussez/turnez les mains courantes vers l'avant jusqu'à ce que vos bras soient tendus.

4. Repassez librement vos bras vers le haut des mains courantes et répétez le mouvement de poussée.
5. Pour arrêter : attendez que le fauteuil roulant s'arrête et se déplace vers l'avant/arrière en actionnant les mains courantes. Lâchez l'un après l'autre les freins de stationnement, cf. §3.1.

3.5.3 Rouler sur les pentes

 **ATTENTION** Risque de blessures

- Si l'accompagnateur n'a pas suffisamment de force pour contrôler le fauteuil roulant, arrêtez de rouler et utilisez immédiatement le frein.
- Lorsque vous vous arrêtez sur une (petite) pente, utilisez les freins pour empêcher le fauteuil roulant de démarrer de façon inattendue.

1. Attachez-vous dans le fauteuil roulant avec une ceinture de sécurité.
2. Demandez à un accompagnateur ou à un passant de vous aider.
3. Roulez lentement et en ligne droite. Penchez-vous légèrement vers l'avant (A/B) lorsque vous montez la pente. Penchez-vous vers l'arrière, contre le dossier, lorsque vous descendez la pente.
4. Ne faites jamais demi-tour sur une pente.

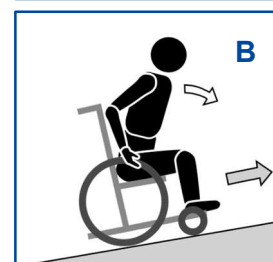


Figure 10 *Monter une côte*

3.5.4 Usage des rampes

 **ATTENTION** Risque de blessures à la suite du basculement

- Utilisez uniquement les rampes approuvées par Vermeiren et ne dépassez pas leur charge maximale.
- Assurez-vous que le fauteuil roulant ne touche pas le sol ou la rampe lors de l'inclinaison.
- Ne négociez les rampes qu'avec l'aide d'un ou de deux accompagnateurs.

1. Réglez la position du dossier, du siège et du repose-pied pour réduire le volume occupé par le fauteuil roulant et pour augmenter la stabilité pendant l'inclinaison.
2. Retirez les cale-pieds, voir §2.4.5.
3. Suivez les instructions au §3.5.3.

3.5.5 Utiliser les escaliers

 **ATTENTION** Risque de blessures à la suite du basculement

- Les escaliers doivent toujours être franchis à l'aide de deux accompagnateurs.
- N'essayez jamais d'emprunter des escaliers qui ne sont pas appropriés pour les fauteuils roulants.


Pour utiliser les escaliers alors que vous êtes assis sur votre fauteuil roulant, respectez les instructions suivantes :

1. Retirez les repose-pieds, cf. §2.4.5.
2. Un accompagnateur incline légèrement le fauteuil vers l'arrière en utilisant les poignées.
3. Le deuxième accompagnateur saisit le fauteuil roulant par l'avant du cadre, des deux côtés du fauteuil.
4. Restez calme, évitez les mouvements brusques et gardez les mains à l'intérieur du fauteuil roulant.
5. Les deux accompagnateurs soulèvent et tirent le fauteuil roulant marche après marche en faisant rouler les roues arrière sur les marches.
6. Après avoir franchi les escaliers, remettez les repose-pieds en place, cf. §2.4.4.



Figure 11 *Utiliser les escaliers*

3.5.6 Aborder les obstacles

 **ATTENTION** Risque de blessures à la suite du basculement

- Demandez toujours l'aide d'un ou de deux accompagnateur (s).
- Assurez-vous que les palettes repose-pieds ne touchent pas le sol lorsque vous abordez un obstacle. Si nécessaire, retirez les repose-pieds.
- N'utilisez pas votre fauteuil roulant sur un escalier mécanique.
- Si disponible, portez votre ceinture de sécurité.

Petites bordures (monter ou descendre)

Elles peuvent être franchies en marche avant (E / F) avec un accompagnateur:

1. L'accompagnateur déplace le fauteuil roulant vers l'avant à l'approche de la bordure. Assurez-vous que les palettes repose-pieds ne touchent pas la bordure.
2. Penchez-vous vers l'arrière pour atténuer la pression sur les roues avant.
3. L'accompagnateur maintient fermement les poignées pendant le déplacement vers l'avant. Si nécessaire, il utilise le capuchon d'embout pour maintenir les roues avant relevées lorsqu'elles ont dépassé le bord de la bordure.
4. L'accompagnateur relâche la pression sur les poignées et le capuchon d'embout pour reposer les roues avant sur le sol.
5. Ensuite, il maintient fermement les poignées tout en poussant le fauteuil roulant avec les roues arrière en haut/bas de la bordure.

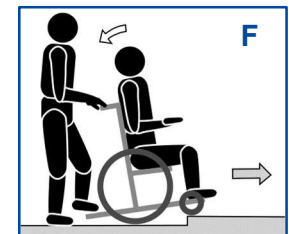


Figure 12 *Franchir de petites bordures avec un accompagnateur*

Bordures moyennes (monter ou descendre)

Celles-ci doivent être franchies en marche arrière avec un accompagnateur:

1. L'accompagnateur retourne le fauteuil roulant pour que les roues arrière se présentent en premier à l'approche de la bordure (G / H).
2. Descendre : Penchez-vous vers l'avant (G) pour déplacer le centre de gravité vers l'avant.
Monter : Penchez-vous vers l'arrière (H) pour déplacer le centre de gravité vers l'arrière.
3. L'accompagnateur tire délicatement le fauteuil roulant de/sur la bordure.



Figure 13 *Franchir des bordures moyennes avec un accompagnateur*

Bordures plus hautes

Les bordures plus hautes, mais sous la dimension maximale, cf. §5, doivent être franchies avec l'aide de deux accompagnateurs.

Descendre :

1. Enlevez les repose-pieds.
2. L'accompagnateur déplace le fauteuil roulant vers l'avant à l'approche de la bordure.
3. Penchez-vous vers l'arrière pour atténuer la pression sur les roues avant.
4. L'accompagnateur maintient fermement les poignées et utilise le capuchon d'embout pour maintenir les roues avant relevées lorsqu'elles ont dépassé le bord de la bordure.
5. Le deuxième accompagnateur saisit l'avant du cadre et recule en tirant les roues arrière en bas de la bordure.
6. Le premier accompagnateur relâche la pression sur les poignées et le capuchon d'embout pour reposer les roues avant sur le sol.

Monter :

1. Enlevez les repose-pieds.
2. Le premier accompagnateur retourne le fauteuil roulant pour que les roues arrière se présentent en premier à l'approche de la bordure.
3. Penchez-vous vers l'arrière pour déplacer le centre de gravité vers l'arrière.
4. Le deuxième accompagnateur saisit l'avant du cadre et avance en tirant/poussant les roues arrière sur la bordure. Le premier accompagnateur soulève et maintient fermement les poignées pour empêcher le fauteuil roulant de basculer.

3.6 Utilisation de la télécommande



ATTENTION

Risque de blessures ou de dommages

- Seul un utilisateur apte ou son personnel autorisé et qualifié est autorisé à utiliser la télécommande.
- N'oubliez pas que la stabilité diminue lorsque le fauteuil roulant passe de la position assise droite à la position inclinée.



ATTENTION

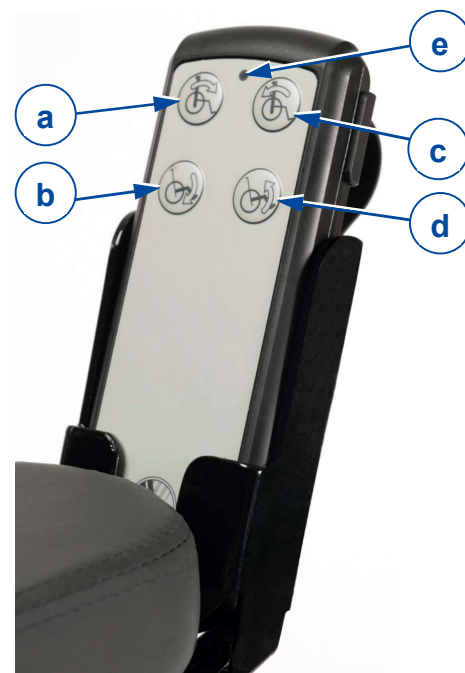
Risque de dommages

- Assurez-vous qu'il y a assez d'espace autour du fauteuil roulant pour faire fonctionner le dossier et le siège.
- Assurez-vous qu'aucun objet ne reste coincé entre les parties mobiles.

Le fauteuil roulant est livré avec une télécommande pour faire fonctionner les pièces mobiles.

Utilisez comme suit :

1. Serrez les freins de stationnement, cf. §3.1.
2. Branchez le câble d'alimentation dans une prise de courant 220/230V CA.
3. Attendez au moins 15 secondes. Le témoin lumineux (e) s'allume.
4. Pour actionner, appuyez et maintenez l'un des boutons (a – d).
5. Pour arrêter le mouvement, relâchez le bouton.



Boutons d'actionnement :

- (a) Dossier – Relever en position assise droite
- (b) Siège – Abaisser en position assise
- (c) Dossier – Abaisser en position inclinée
- (d) Siège – Relever en position inclinée

Figure 14 *Télécommande dans le support de télécommande*

Pour de plus amples informations sur les angles d'inclinaison du dossier et du siège, cf. chapitre 5.

3.7 État de la batterie et recharge



AVERTISSEMENT

Risque de blessures et de dommages dus au feu

- Utilisez uniquement l'adaptateur fourni avec le fauteuil roulant. L'utilisation de tout autre adaptateur peut être dangereuse (risque d'incendie).
- L'adaptateur est uniquement destiné à la charge de la batterie fournie avec le fauteuil roulant, et non à celle d'autres batteries.
- N'apportez aucune modification aux différentes pièces, comme les câbles, prises ou adaptateur. N'ouvrez et ne changez jamais la batterie ou les points de raccordement.

- Protégez la batterie et l'adaptateur contre les flammes, les températures élevées (>45°C), l'humidité, les rayons du soleil, les chocs importants (par exemple chute). N'utilisez PAS la batterie si elle a été soumise à l'une de ces circonstances.
- Chargez la batterie au moyen de l'adaptateur, à l'intérieur, dans un espace bien aéré et hors de la portée des enfants. N'utilisez pas de barre d'alimentation ou de rallonge pour la charge.

⚠ ATTENTION
Risque de dommages

- Lisez les instructions de stockage et d'entretien au §4.1 et les détails techniques au chapitre 5.
- Ne déchargez jamais complètement la batterie.
- N'interrompez pas le cycle de recharge ; débranchez uniquement le chargeur de batterie lorsque la batterie est complètement chargée.
- La durée de vie diminue si la batterie est exposée à un froid extrême pendant une période prolongée.
- Débarrassez le point de raccordement de l'adaptateur de toute poussière et autre contamination.
- Utilisez l'adaptateur directement sur la prise d'alimentation (sans minuterie).
- En cas de problème empêchant la charge de la batterie conformément à ces instructions, veuillez contacter votre revendeur spécialisé.
- En raison du courant de repos, la batterie va se décharger si le fauteuil roulant n'est pas utilisé pendant un certain temps. Nous vous recommandons donc de toujours charger la batterie régulièrement.

3.7.1 État de la batterie

Le témoin lumineux (65) sur le logement de batterie indique l'état de sa capacité selon les codes de signalisation du tableau 1.



Figure 15 **Emplacement de la batterie sur le fauteuil roulant**

Tableau 1 : Code de témoin de batterie

Code d'indication	Signification
VERT, ALLUMÉ en continu	La batterie est connectée à l'alimentation électrique et charge normalement (capacité de batterie entre 70 et 100%). <ul style="list-style-type: none"> • Gardez la batterie connectée à l'alimentation électrique jusqu'à ce qu'elle soit pleinement chargée.
VERT, clignotement rapide ; 1 seconde ALLUMÉ, 1 seconde ÉTEINT	La batterie est connectée à l'alimentation électrique et charge normalement (capacité de batterie sous les 70 %). <ul style="list-style-type: none"> • Gardez la batterie connectée à l'alimentation électrique jusqu'à ce qu'elle soit pleinement chargée.
VERT, clignotement lent ; 0,5 seconde ALLUMÉ, 4 secondes ÉTEINT	Décharge normale de la batterie (capacité de batterie entre 25 et 100 %)
ORANGE, clignotement lent ;	La batterie doit être chargée (capacité de batterie sous les 25 %).

0,5 seconde ALLUMÉ, 4 secondes ÉTEINT	<ul style="list-style-type: none"> Chargement de la batterie.
ORANGE, ALLUMÉ en continu	<p>Indique une panne. La batterie pourrait être déconnectée ou il pourrait y avoir un problème électrique.</p> <ul style="list-style-type: none"> Contactez votre revendeur spécialisé pour de l'aide ou un éventuel remplacement.
Témoin lumineux ÉTEINT en continu	<p>La protection de la batterie est activée et le fonctionnement est bloqué/arrêté lorsque :</p> <ul style="list-style-type: none"> Il y a surtension pendant plus de 10 secondes La faible tension peut provoquer une décharge excessive. C'est le cas lorsque la capacité chute sous les 20 %. <ul style="list-style-type: none"> Chargement de la batterie.

3.7.2 Chargement de la batterie

Pour charger la batterie :

1. Branchez EN PREMIER LIEU l'adaptateur à une prise de courant 230 V CA. Le témoin s'allume (en vert) pour montrer que l'adaptateur est sous tension. Si ce n'est pas le cas, évitez d'utiliser le chargeur et contactez votre revendeur spécialisé.
2. Branchez la fiche de l'adaptateur (67) dans la prise (68) du point de charge, cf. Figure 16. Assurez-vous que le renforcement de la fiche glisse sur la partie saillante dans la prise.
3. Attendez jusqu'à ce que le témoin lumineux de la batterie (66) s'allume en vert (capacité de plus de 70 %) et laissez-la charger pendant les 10 heures qui suivent.
4. Débranchez l'adaptateur.
5. Retirez l'adaptateur de la prise. Laissez-le refroidir et rangez-le dans la pochette.




Figure 16 *Emplacement du point de connexion*

- i** Suivant son état, la batterie pourrait devoir être chargée pendant minimum 10 heures jusqu'à plus de 24 heures si elle est déchargée sous 25 % de sa capacité. Charger pendant plus longtemps n'abîmera pas la batterie. Le processus de charge peut être arrêté ou lancé à tout moment en suivant les instructions ci-dessus.

4 Entretien

Même s'il ne nécessite que peu d'entretien, il est recommandé d'inspecter régulièrement votre fauteuil roulant pour vous garantir de longues années d'utilisation sans problème.

4.1 Points d'entretien

 **ATTENTION** Risque de blessures et de dommages

Les réparations et les remplacements ne peuvent être réalisés que par des personnes formées, et seules des pièces de remplacement d'origine de Vermeiren peuvent être utilisées.

i La dernière page de ce manuel contient un formulaire d'enregistrement pour permettre au revendeur spécialisé de consigner chaque service.

La fréquence d'entretien dépend de la fréquence et de l'intensité de l'utilisation. Prenez contact avec votre commerçant pour convenir d'un rendez-vous pour une inspection/un entretien/une réparation.

Avant chaque utilisation

Inspectez les points suivants :

- Toutes les pièces : Présentes et sans dommage ni usure.
- Toutes les pièces : Propres, voir § 4.2.2.
- Roues, siège, repose-jambes, accoudoirs, repose-pieds, palettes repose-pieds et appuie-tête (si applicable): Bien serrés.
- État de la batterie : Chargez la batterie si nécessaire, voir §3.7.
- Télécommande, batterie, boîte de dérivation, moteur, adaptateur et câbles correspondants : Pas de dommages tels que fils entaillés, coupés ou dénudés.
- État des roues/pneus, voir § 4.2.1.
- État des freins, cf. § 4.2.1.
- État du cadre : Pas de déformation, d'instabilité, de faiblesse ou de connexions desserrées
- Siège, dossier, manchettes, repose-jambes et appuie-tête (si applicable) : Pas d'usure excessive (bosses, dommages ou déchirures).

Contactez votre commerçant spécialisé pour les réparations et les remplacements de pièces éventuels.

Tous les six mois

Si votre fauteuil roulant est remis pour une période prolongée, vous devrez toujours charger les batteries tous les 6 mois pendant au moins 24 heures. Pour de plus amples informations, voir § 3.5.

Chaque année ou plus souvent

Faites inspecter et entretenir votre fauteuil roulant par votre revendeur spécialisé au moins une fois par an, ou plus. La fréquence d'entretien minimale dépend de l'usage et doit être déterminée de commun accord avec votre commerçant spécialisé.

En cas d'entreposage


Assurez-vous que votre fauteuil roulant est entreposé dans un endroit sec pour éviter la formation de moisissure et l'endommagement du rembourrage.

4.2 Instructions d'entretien

4.2.1 Roues et pneus

- i** Un fonctionnement correct des freins dépend de l'état des pneus, qui peut changer en raison de l'usure et de la contamination (eau, huile, boue, ...).
- Éliminez les fils, cheveux, le sable et les fibres de carpe de vos roues.
- Vérifiez le profil des pneus. Si la profondeur de la sculpture est inférieure à 1 mm, les pneus doivent être remplacés. Contactez votre commerçant spécialisé à ce propos.

4.2.2 Nettoyage

 ATTENTION Risque de dommages dus à l'humidité

- Gardez la télécommande propre et protégez-la de l'eau et de la pluie.
- N'utilisez jamais un tuyau ou un nettoyeur à haute pression pour nettoyer le fauteuil roulant.

Essuyez toutes les parties rigides du fauteuil roulant avec un chiffon humide (pas détrempé). Si nécessaire, utilisez un savon doux, approprié pour les laques et les synthétiques.

Le rembourrage peut être nettoyé à l'eau tiède additionnée de savon doux. N'utilisez pas de produits de nettoyage abrasifs.

4.2.3 Désinfection

 ATTENTION Risque de dommages

La désinfection ne peut être réalisée que par des personnes qualifiées. Renseignez-vous auprès de votre commerçant spécialisé à cet égard.

4.3 Résolution des problèmes

Même si vous utilisez votre fauteuil roulant de façon appropriée, les problèmes techniques ne sont pas exclus. Dans ce cas, contactez votre local revendeur spécialisé.

 AVERTISSEMENT Risque de blessures et de dommages au fauteuil roulant

- N'essayez JAMAIS de réparer votre fauteuil roulant vous-même.

Les symptômes suivants peuvent indiquer un problème grave. Par conséquent, prenez toujours contact avec votre revendeur spécialisé si vous détectez l'une des anomalies suivantes :

- Bruit anormal ;
- Faisceaux de câbles entaillés/endommagés ;
- Connecteurs fissurés ou cassés ;
- Le fauteuil roulant est sous tension mais l'actionnement de la télécommande ne donne aucun résultat, cf. §3.7.

4.4 Durée de vie attendue

La durée de vie moyenne de votre fauteuil roulant est de 5 ans. Selon la fréquence d'utilisation, les circonstances de conduite et d'entretien, la durée de vie de votre fauteuil roulant augmentera ou diminuera.

4.5 Mise au rebut

À la fin de sa durée de vie, votre fauteuil roulant doit être évacué conformément à la législation environnementale locale. Il est recommandé de démonter le fauteuil roulant afin de faciliter le transport des matériaux recyclables.

5 Caractéristiques techniques

Les détails techniques ci-dessous concernent uniquement ce fauteuil roulant, avec des réglages standard et dans des conditions ambiantes optimales. Veuillez tenir compte de ces détails pendant l'utilisation.

Les valeurs ne sont plus valables si votre fauteuil roulant a été modifié, endommagé ou présente une usure sérieuse.

Tableau 2 : Caractéristiques techniques

Marque	Vermeiren	
Type	Fauteuil roulant	
Modèle	Inovys II-E	
Description	Dimensions pour toutes les configurations	
Poids maximum de l'utilisateur	135 kg	
Stabilité statique en descente	10° **	
Stabilité statique en montée	15° **	
Stabilité statique sur les côtés	12° **	
Franchissement d'obstacle	60 mm	
Description	Min.	Max.
Longueur hors tout avec palette repose-pieds (dépend du réglage de la profondeur de siège)	1050 mm	1090 mm
Longueur démonté sans palette repose-pieds (dépend du réglage de la profondeur de siège)	830 mm	870 mm
Hauteur totale (sans appuie-tête)	990 mm	1060 mm
Hauteur démonté (avec dossier replié, sans accoudoirs)	710 mm	780 mm
Inclinaison d'assise	0°	+21°
Profondeur de siège réelle	460 mm	520 mm
Hauteur de surface du siège sur le rebord de devant (rembourré)	460 mm	530 mm
Inclinaison de dossier	0°	+54°
Hauteur de dossier	550 mm	585 mm
Distance entre le repose-pied et le siège	400 mm	570 mm *
Inclinaison du repose-pied	80°	100°
Angle entre le siège et le repose-pied	104°	194°
Distance entre l'accoudoir et le siège	220 mm	320 mm
Emplacement à l'avant de la structure d'accoudoir	460 mm	490 mm
Description	Dimensions selon la configuration	
Diamètre des roues arrière	16" (T30) avec freins à tambour	24"
Diamètre de main courante	NA	535 mm
Largeur de siège réelle	400 mm	500 mm
Largeur hors tout (dépend de la largeur du siège)	630 mm	730 mm
Largeur démonté (sans accoudoir)	600 mm	700 mm
Largeur de palette repose-pied (minimum – maximum)	44-46 mm	48-50 mm
Diamètre des roues directrices	200 mm	200 mm

Emplacement horizontal de l'axe (déviation)	-8 mm - 41 mm	-4 mm - 42 mm
Poids total	41,7 kg	40,9 kg
Poids de la pièce la plus lourde	27,1 kg	22,9 kg
Poids des pièces amovibles		
Repose-pieds	4,80 kg	4,80 kg
Accoudoirs	3,8 kg	3,8 kg
Roues arrière	NA	3,6 kg
Dossier	3,6 kg	3,6 kg
Batterie	2,2 kg	2,2 kg
Rayon de braquage (diamètre)	1520 mm	1620 mm
Description	Spécifications pour toutes les configurations	
Tests de résistance selon	ISO 7176-8	
Inflammabilité de rembourrage conforme à	ISO 7176-16	
Conformité CEM	ISO 7176-21 / EN 61000-3-2 et EN 61000-3-3	
Adaptateur / Transformateur	Entrée : 100-240 VCA, 50/60Hz Sortie maxi : 29V CC, 2.5A Classe de protection : IP66 Cycle de service : 2 min ON / 18 min OFF	
Batterie	Capacité : 1,2 Ah Entrée : 29~45V CC Sortie : 24V CC, 1.2A Classe de protection : IP66 Cycle de service : 10% (2 min. ON / 18 min. OFF)	
Moteur (2x)	Capacité : 1500N Régime du moteur : 2200RPM Umax 24VCC; Imax. 2,2 A Classe de protection : IP66, Cycle de service : 10% (Max.2 min. ON / 18 min. OFF)	
Télécommande	Classe de protection : IP66	
Température d'utilisation et de stockage (batterie)	+ 5 °C ~ + 45°C	
Humidité d'entreposage et d'utilisation	30% ~ 70%	
<p>Nous nous réservons le droit d'apporter des modifications techniques. Tolérance de mesure ± 15 mm / 1,5 kg / 1,5°.</p> <p>(*) Ne réglez pas le repose-pied à la longueur maximale pour empêcher la palette repose-pied de toucher le sol.</p> <p>(**) Testé en configuration standard</p> <p>NA Non applicable</p>		

Inhoud

Voorwoord	2
1 Uw product	3
1.1 Omschrijving	3
1.2 Accessoires	4
2 Voor gebruik	5
2.1 Beoogd gebruik.....	5
2.2 Algemene veiligheidsmaatregelen	5
2.3 Symbolen op de rolstoel	5
2.4 Transport en (de)montage	6
2.5 Eerste gebruik en opslag	11
3 Uw rolstoel gebruiken	12
3.1 Parkeerremmen (enkel voor 22"/24" wielen).....	12
3.2 Trommelremmen (enkel voor 16" vaste wielen).....	12
3.3 Transfer in/uit de rolstoel.....	13
3.4 Aanpassingen voor comfort	13
3.5 Rijden.....	15
3.6 De handset gebruiken.....	18
3.7 Batterijstatus en opladen	18
4 Onderhoud	21
4.1 Tijdstippen voor onderhoud.....	21
4.2 Instructies voor onderhoud	21
4.3 Probleemoplossing	22
4.4 Verwachte levensduur.....	22
4.5 Beëindiging van gebruik.....	22
5 Technische specificaties	23

Voorwoord

Proficiat! U bent eigenaar van een Vermeiren-rolstoel!

Deze rolstoel werd vervaardigd door gekwalificeerd en toegewijd personeel. Hij werd ontworpen en geproduceerd volgens hoge kwaliteitsnormen, bewaakt door Vermeiren.

Bedankt voor uw vertrouwen in de producten van Vermeiren. Om u te ondersteunen bij het gebruik van deze rolstoel en zijn bedieningsmogelijkheden, bieden we u deze handleiding aan. Lees deze informatie zorgvuldig door: het zal u helpen om vertrouwd te raken met de besturing, mogelijkheden en beperkingen van uw rolstoel.

Indien u na het lezen van deze handleiding nog vragen heeft, aarzel dan niet om contact op te nemen met uw vakhandelaar. Hij/Zij zal u met plezier verder helpen.

Belangrijke opmerking

Om uw veiligheid te garanderen, en om de levensduur van uw product te verlengen, raden we u aan om er goed zorg voor te dragen en om regelmatig nazicht en onderhoud te laten uitvoeren.

De garantie op dit product is gebaseerd op normaal gebruik en onderhoud zoals beschreven in deze handleiding. De garantie vervalt bij schade die werd veroorzaakt door verkeerd gebruik of gebrek aan onderhoud.

Deze handleiding houdt rekening met de recentste productontwikkelingen. De Firma Vermeiren behoudt zich het recht voor om wijzigingen aan dit type product door te voeren zonder verplicht te zijn om voordien geleverde producten aan te passen of te vervangen.

Afbeeldingen van het product worden gebruikt om de instructies in deze handleiding te verduidelijken. Details van het afgebeelde product kunnen afwijken van uw aangekochte product.

Beschikbare informatie

Op onze website <http://www.vermeiren.com/> kan u steeds de meest recente versie terugvinden van de informatie in deze handleiding. Contacteer deze website regelmatig voor mogelijke updates.

Mensen met een visuele beperking kunnen de elektronische versie van deze handleiding downloaden en laten voorlezen door een tekst-naar-spraak programma.



Gebruiksaanwijzing

Voor de gebruiker en vakhandelaar



Installatiehandleiding

Voor de vakhandelaar



Onderhoudshandleiding voor rolstoelen

Voor de vakhandelaar

1 Uw product

1.1 Omschrijving

Deze Inovys II-E rolstoel is makkelijk te bedienen en kan zowel binnen als buiten gebruikt worden. De rolstoel kan worden opgevouwen, wat hem zeer compact maakt voor opslag. De rolstoel is beschikbaar in meerdere afmetingen, en er zijn verschillende mogelijke aanvullingen mogelijk om het comfort van de gebruikers te verhogen.

De volgende foto's tonen alle onderdelen die relevant zijn voor de gebruiker. Deze delen worden, indien van toepassing, beschreven in het hoofdstuk over bediening en onderhoud.

i Ga de technische details en limieten van het vooropgestelde gebruik na in hoofdstuk 5 vooraleer uw rolstoel te gebruiken.



Figuur 1 Belangrijke onderdelen

- | | | |
|-------------------|-------------------|--------------------------------------|
| 1. Hoofdsteun | 7. Voetband (2x) | 13. Achterwiel (2x) |
| 2. Rugsteun | 8. Beensteun (2x) | 14. Aandrijfhoepel (2x) |
| 3. Armlegger | 9. Armsteun (2x) | 15. Duwhandvat met handgreep (2x) |
| 4. Handset | 10. Rem (2x) | 16. Hoofdsteunbevestiging(optioneel) |
| 5. Beensteun (2x) | 11. Voorwiel (2x) | |
| 6. Voetplaat (2x) | 12. Frame | |



- 17. Handsethouder
- 18. Zit
- 19. Batterij-indicator
- 20. Motor
- 21. Zijpaneel (2x)
- 22. Duwstang
- 23. Trapdop (2x)
- 24. Locatie van de
Identificatieplaat

Figuur 2 Belangrijke onderdelen, voortgezet

1.2 Accessoires

De volgende accessoires zijn beschikbaar voor Inovys II-E:

- Houten tafel (B12)
- Hoofdsteen (L55, L58)
- Veiligheidsgordel (B58)
- Abductieklos (B22)
- Gootvormige armlegger (B66)

Neem contact op met uw vakhandelaar voor meer informatie.

2 Voor gebruik


2.1 Beoogd gebruik

In dit hoofdstuk wordt kort beschreven wat het beoogde gebruik van uw rolstoel inhoudt. Bijkomende relevante waarschuwingen worden gegeven bij de instructies in andere hoofdstukken. Op deze manier proberen we u te waarschuwen voor mogelijk verkeerd gebruik.

- Deze rolstoel is geschikt voor gebruik binnen en buiten.
- Deze rolstoel is uitsluitend ontworpen voor het vervoer van één (1) persoon met een maximumgewicht van 135 kg. Het is niet bedoeld om goederen of objecten te vervoeren, noch voor enig ander gebruik dan hiervoor beschreven.
- Afhankelijk van het type wielen op uw rolstoel, kan deze bestuurd worden door een begeleider of door de gebruiker die in de rolstoel zit. Gebruik deze rolstoel NIET zonder begeleider indien u lijdt aan psychische of mentale beperkingen waardoor u uzelf of andere mensen in gevaar kan brengen bij het rijden. Consulteer daarom eerst uw dokter, en informeer uw vakhandelaar over zijn/haar advies.
- Deze rolstoel is niet geschikt om te gebruiken als een zit in een motorvoertuig.
- Gebruik enkel accessoires en reserveonderdelen die werden goedgekeurd door Vermeiren.

Lees eerst alle technische details en limieten van uw rolstoel in hoofdstuk 5.

2.2 Algemene veiligheidsmaatregelen

 **VOORZICHTIG** Gevaar voor letsel en/of beschadiging

Lees de instructies in deze handleiding en volg ze nauwkeurig op. Zo niet, kan dit leiden tot lichamelijk letsel of beschadiging aan uw rolstoel.

Houd rekening met de volgende algemene waarschuwingen tijdens het gebruik:

- Gebruik de rolstoel niet indien u onder invloed bent van alcohol, medicijnen of andere substanties die uw rijvermogen verminderen. Dit geldt ook voor uw begeleider die de rolstoel bedient.
- Houd er rekening mee dat sommige onderdelen van uw rolstoel zeer warm of koud kunnen worden door omgevingstemperatuur, de zon of verwarmingstoestellen. Wees daarom voorzichtig bij het aanraken. Draag beschermende kleding bij koud weer. Bij buitengebruik kunnen rijhandschoenen de grip op de aandrijfhoepels verbeteren.
- Houd de instructies voor onderhoud in acht. De fabrikant is niet verantwoordelijk voor schade veroorzaakt door foutief onderhoud.

2.3 Symbolen op de rolstoel

De volgende symbolen zijn van toepassing op uw rolstoel. De symbolen kan u terugvinden in de relevante ISO-standaard (ISO 7000, ISO 7001 en IEC 417).



Maximum gewicht van de gebruiker in kg



Buiten/Binnengebruik (batterij en batterijkabel niet inbegrepen)



Enkel voor binnengebruik (batterij en batterijlader)



Maximale veilige helling in ° (graden)



Maximale snelheid



Niet geschikt om te gebruiken als zit in een motorvoertuig



Type aanduiding

2.4 Transport en (de)montage

2.4.1 Uit de weg zetten

Rol de rolstoel met de wielen om hem naar zijn bestemming te bewegen.

Indien dit niet mogelijk is, en demontage niet gewenst is, vraag dan hulp om de rolstoel op te tillen. Houd het frame stevig vast met beide handen en til de rolstoel van de vloer. Houd de rolstoel hierbij niet vast aan de voetsteunen, armsteunen of wielen.

2.4.2 Transport in een vliegtuig

Aangezien de rolstoel werd uitgerust met een loodbatterij, is het niet mogelijk om de rolstoel (als geheel) te vervoeren met het vliegtuig.

Indien u dit toch wenst, contacteer dan uw vliegtuigmaatschappij voordat u uw vlucht boekt.

Het is ook mogelijk om de batterij te verwijderen en een nieuwe batterij te kopen bij uw aankomst. Contacteer uw vakhandelaar voor meer informatie.

2.4.3 Transport per voertuig

 **WAARSCHUWING** Gevaar voor letsel

- Gebruik de rolstoel NIET als zit in een voertuig, zie het symbool.
- Gebruik nooit dezelfde veiligheidsriem voor de passagier en rolstoel.



1. Gebruik de handset om uw rolstoel weer naar zitpositie te brengen, zie §3.6.
2. Demonteer en til de rolstoel in het voertuig volgens de instructies in §2.4.5.
3. Bewaar de rolstoel en zijn onderdelen in het bagagecompartiment. Als de bagage- en passagierscompartimenten NIET van elkaar gescheiden zijn, bevestig dan het frame van de rolstoel stevig aan het voertuig.

- i** U kan een ramp gebruiken om de rolstoel in het voertuig te duwen, zie 3.5.4.
Activeer de parkeerremmen na het laden, zie §3.1.

2.4.4 Montage

 **VOORZICHTIG** Gevaar voor letsel of beschadiging

- Houd tijdens de montage uw vingers, gespen, kledij en juwelen uit de buurt van bewegende onderdelen.
- Houd steeds rekening met de draaicirkel van de voetsteun om te voorkomen dat voorbijgangers verwond raken, of dat objecten beschadigd raken.
- Voor gebruik, zorg ervoor dat alle gemonteerde onderdelen stevig werden vastgezet.



Figuur 3 Inovys II-E basisframe met 16" en 24" wielen - gedemonteerde onderdelen



[1]

- Plaats de rolstoel met vier wielen op de grond.
- Vouw het rugframe (34) open.



[2]

- Monteer de voorkant van de motor weer aan het rugframe met de bevestigingspin (33) en sluit de beugel.
- Zorg ervoor dat het rugframe weer stevig bevestigd is aan de motor.



[3]

- Hang de rugsteun met de vier schroeven in de vier haken (35) van het rugframe.
- Draai de twee bovenste sterknoppen (36) aan met de hand.
- Zorg ervoor dat de rugsteun stevig vaststaat.



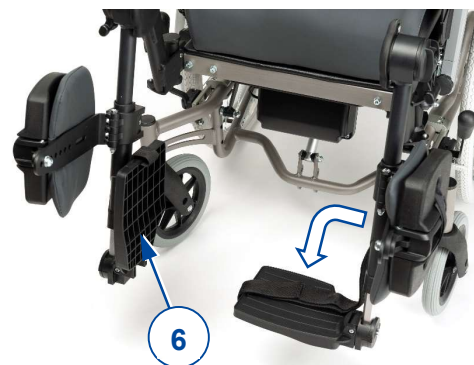
[4]

- Draai de sterknop (37) van de armsteunbevestiging tegen de klok in en verwijder de knop.
- Plaats de armsteun (9) in de bevestiging.
- Plaats de sterknop (37) terug en draai stevig aan met de klok mee.
- Zorg ervoor dat de armsteun stevig vaststaat.
- Herhaal dit voor de tweede armsteun.



[5]

- Houd de beensteun (5) aan de zijkant en plaats in de beensteunbevestiging (39). Zorg ervoor dat het gat in de beensteun (44) op de onderste bevestiging past, en dat de beensteunpin (38) in het bovenste deel van de bevestiging.
- Draai de beensteun (5) naar binnen totdat hij vastklikt.
- Herhaal dit voor de tweede beensteun.



[6]

- Vouw de voetplaat (6) naar beneden.
- Herhaal dit voor de tweede voetplaat.



[7]

- Draai de kuitsteunbevestiging (40) naar binnen.
- Draai de kuitsteun (8) naar achter.
- Herhaal dit voor de tweede kuitsteun.




[8]

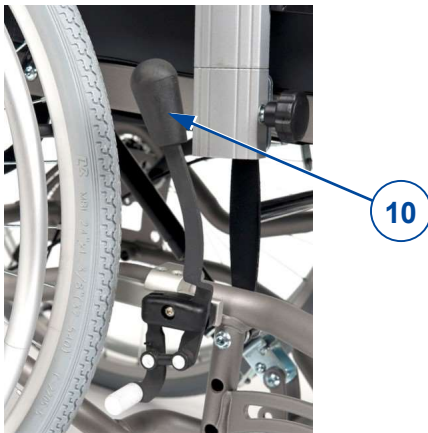
- (Indien van toepassing) monteer de hoofdsteun (1) met de vierkante buis in de hoofdsteunbevestiging (41) op de rugsteun.
- Draai de sterknop (42) stevig aan.

Uw rolstoel is nu klaar voor gebruik.

2.4.5 Demontage

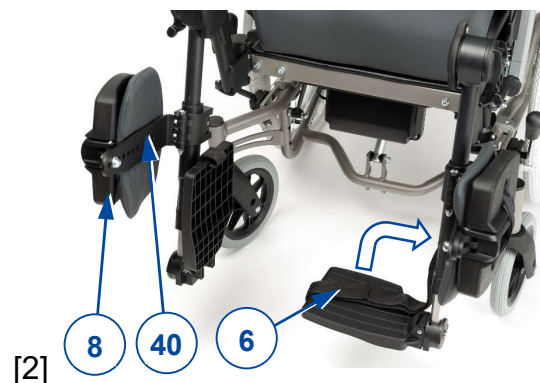
 **VOORZICHTIG** Gevaar voor letsel of beschadiging

- Houd tijdens de demontage uw vingers, gespen, kledij en juwelen uit de buurt van bewegende onderdelen.
- Houd steeds rekening met de draaicirkel van de voetsteun om te voorkomen dat voorbijgangers verwond raken, of dat objecten beschadigd raken.



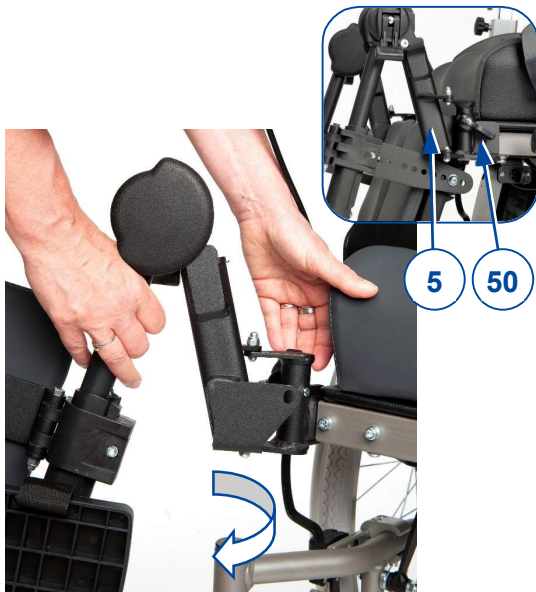
[1]

- Activeer beide parkeerremmen door de remhendel (10) te bedienen, zie §3.1.



[2]

- Sluit de kuitsteun (8) en draai de kuitsteunbevestiging (40) naar buiten.
- Herhaal dit voor de tweede kuitsteun.
- Vouw beide voetplaten (6) omhoog.



[3]

- Trek aan de hendel (50), en klap de beensteun (5) naar buiten.
- Til de beensteun op om te verwijderen.
- Herhaal dit voor de tweede beensteun.



[4]

- Draai de sterknop (37) tegen de klok in.
- Trek de sterknop uit en trek de armsteun (9) uit de bevestiging.
- Draai de sterknop (37) weer aan.



[5]

- (Indien van toepassing) demonteer de hoofdsteun (1):
 - Draai de sterknop (42) van de hoofdsteunbevestiging los en verwijder de knop.
 - Trek de hoofdsteun omhoog tot hij uit de bevestiging is.



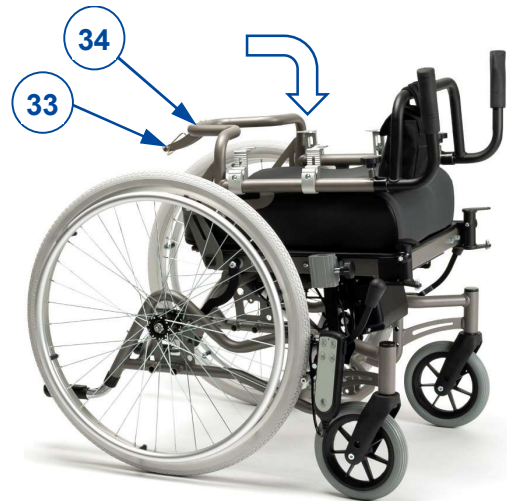
[6]

- Draai de twee bovenste sterknoppen (36) van de rugsteun los met de hand.
- Trek de rugsteun omhoog tot hij uit de vier haken (35) is.



[7]

- Maak de motor los van het rugframe door de beugel van de beveiligingspin (33) te openen en de pin te verwijderen.



[8]

- Vouw het rugframe (34) neer op de zit.
- Plaats de beveiligingspin (33) terug in het frame.

2.4.6 Achterwielen (de)monteren (enkel voor 22"/24")

Voor transportdoeleinden kan het nodig zijn om de achterwielen te (de)monteren.

De achterwielen verwijderen:

1. Duw op de knop (43) en blijf vasthouden terwijl u de wielas uit de bevestiging schuift.
2. Herhaal dit voor het andere wiel en plaats de rolstoel voorzichtig op de trapdoppen.

De achterwielen bevestigen:

1. Neem een van de wielen en plaats de rolstoel op één zijde.
2. Duw op de knop (43) en blijf vasthouden terwijl u de wielas in de bevestiging schuift.
3. Laat de knop los om het wiel te vergrendelen.
4. Herhaal dit voor het andere wiel. Zorg ervoor dat beide wielen goed werden vergrendeld.



2.5 Eerste gebruik en opslag

 **VOORZICHTIG** Gevaar voor beschadiging aan de batterij

- Laat de batterij nooit volledig ontladen.
- Onderbreek de laadcyclus niet; koppel de batterijlader pas los wanneer de batterij volledig opgeladen is.
- Zorg ervoor dat uw rolstoel droog wordt bewaard om schimmel of schade aan de bekleding te voorkomen.
- Ga de technische details voor opslag na in hoofdstuk 5.

Zorg ervoor dat alle batterijaansluitingen zijn aangesloten en dat de batterij volledig wordt opgeladen voordat u uw rolstoel in gebruik neemt. Vraag uw vakhandelaar of dit al gebeurd is of niet. Om de batterij op te laden, volgt u de instructies in §3.7 .

3 Uw rolstoel gebruiken

 **WAARSCHUWING** Gevaar voor letsel

- Lees eerst de voorgaande hoofdstukken en informeer uzelf over het beoogde gebruik. Gebruik uw rolstoel NIET voordat u alle instructies gelezen en begrepen heeft.
- Als u nog vragen heeft of als u ergens aan twijfelt, aarzel dan niet om contact op te nemen met uw lokale vakhandelaar, zorgverlener, of technisch adviseur om u te helpen.

3.1 Parkeerremmen (enkel voor 22"/24" wielen)

 **VOORZICHTIG** Gevaar voor letsel

- Bedien de remhendel enkel wanneer de rolstoel gestopt is.
- Een begeleider moet de remhendel bedienen indien u een mobiliteitsbeperking heeft.
- Zorg ervoor dat de rolstoel op een vlakke ondergrond staat vooraleer de rem te lossen.
- Los nooit beide remmen tegelijk.
- De remmen mogen enkel aangepast worden door uw vakhandelaar.

 **VOORZICHTIG** Gevaar voor beschadiging

- Gebruik de remmen niet om af te remmen tijdens het rijden.

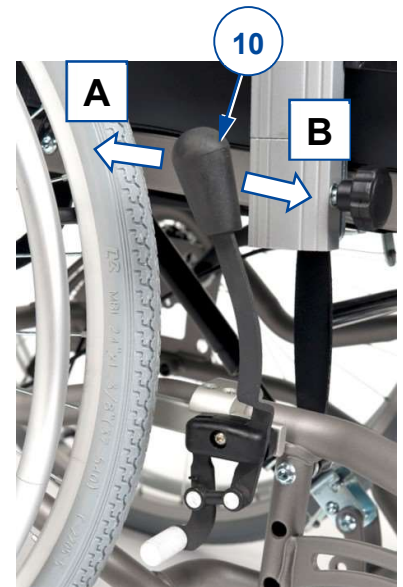
Uw rolstoel is voorzien van twee manueel bedienbare parkeerremmen. Deze remmen zijn bedoeld om te vermijden dat de rolstoel beweegt wanneer hij geparkeerd staat.

De remmen lossen [A]:

1. Houd met één hand de grijphoepel stevig vast (of uw begeleider houdt de handgreep vast met één hand).
2. Trek de remhendel (10) van het ANDERE wiel naar ACHTER.
3. Herhaal dit voor het tweede wiel met parkeerrem.

De remmen vastzetten [B]:

1. Houd met één hand de grijphoepel stevig vast (of uw begeleider houdt de handgreep vast met één hand).
2. Duw de remhendel (10) van het ANDERE wiel naar VOOR totdat u een duidelijke vergrendeling voelt.
3. Herhaal dit voor het tweede wiel met parkeerrem.



Figuur 4 De parkeerremmen bedienen

3.2 Trommelremmen (enkel voor 16" vaste wielen)

 **VOORZICHTIG** Gevaar voor letsel

- Zorg ervoor dat de rolstoel op een vlakke ondergrond staat vooraleer de rem te lossen.
- Los nooit beide remmen tegelijk.
- Om te parkeren of stoppen op een helling, gebruik dan de remmen wanneer u tot stilstand gekomen bent.
- De remmen mogen enkel aangepast worden door uw vakhandelaar.

Om de trommelremmen te bedienen:

1. Trek aan de remhendels (60) in een knijpende beweging.
2. Iedere remhendel (60) kan vergrendeld worden door de vergrendelingshendel (61) naar beneden te duwen met uw vinger.
3. Laat de remhendels (60) los.


Om weer te bewegen/rijden:

1. Trek aan de remhendels (60) in een knijpende beweging. De vergrendelingshendel (61) wordt door deze beweging gelost.
2. Houd de hanggrepen stevig vast terwijl u de remhendels (60) los zet.



Figuur 5 De trommelremmen bedienen

3.3 Transfer in/uit de rolstoel

 **VOORZICHTIG** Gevaar voor letsel of beschadiging

- Als u de transfer niet op een veilige manier kan uitvoeren, vraag dan hulp.
- Ga niet op de voetplaten staan om in of uit de rolstoel te stappen.

Transfer

1. Plaats de rolstoel zo dicht mogelijk bij de stoel, zetel of het bed waarop u zit.
2. Activeer beide parkeerremmen om de beweging te blokkeren, zie §3.1.
3. Gebruik de handset om de rug en zit naar zitpositie te brengen, zie §3.6.
4. Vouw de voetplaten omhoog om te voorkomen dat u erop gaat staan, of draai de beensteunen opzij om plaats te maken voor transfer.
5. Indien nodig, verwijder de armsteun en/of beensteun aan een kant (zie §2.4.5).
6. Beweeg naar/uit uw rolstoel door kracht te zetten op uw armen, of met behulp van een begeleider of liftmaterieel.

Zitten in de rolstoel

1. Ga zitten op de zit met uw onderrug tegen de rugsteun.
2. Plaats de armsteun en/of beensteun terug, indien deze verwijderd werden.
3. Draai de beensteunen terug naar voor, vouw de voetplaten naar beneden en plaats uw voeten erop.
4. Zorg ervoor dat uw bovenbenen horizontaal zijn, met uw voeten in een comfortabele positie; verstel de rolstoel volgens de instructies in § 3.4.

3.4 Aanpassingen voor comfort

 **VOORZICHTIG** Gevaar voor letsel of beschadiging

- De volgende aanpassingen voor comfort kunnen gedaan worden door een begeleider. Alle andere aanpassingen worden door uw vakhandelaar uitgevoerd.
- Houd steeds rekening met de draaicirkel van de voetsteun om te voorkomen dat voorbijgangers verwond raken, of dat objecten beschadigd raken.
- Houd tijdens de verstelling uw vingers, gespen, kledij en juwelen uit de buurt van bewegende onderdelen.

3.4.1 Hoogte van de armsteunen

De armliggers (3) kunnen versteld worden in 6 hoogteposities:

1. Draai de sterknop (45) tegen de klok in om los te maken.
2. Trek de sterknop uit om de binnenbuis van de armsteun (9) te lossen.
3. Schuif de binnenbuis van de armsteun (9) omhoog/omlaag in de bevestiging (46) tot de gewenste hoogte bereikt is. Zorg ervoor dat de gaten in de binnen-/buitenbuizen overlappen.
4. Draai de sterknop (45) weer aan met de klok mee.
5. Herhaal dit voor de andere armsteun. Zorg ervoor dat beide armsteunen stevig werden vastgezet.

Figuur 6 De hoogte van de armsteun aanpassen



3.4.2 Hoogte van de handgrepen/duwstang

 **VOORZICHTIG** Gevaar voor letsel

Gebruik altijd de voorziene bevestigingsgaten in de duwstang. Overschrijd nooit de maximum toegestane hoogte.

De handgrepen (16) en duwstang (23) zijn met elkaar verbonden en kunnen aangepast worden in 7 hoogteposities:

1. Draai beide sterknoppen (31) van de handvatbevestiging los en verwijder ze.
2. Pas de hoogte van beide handgrepen gelijktijdig aan door ze omhoog/omlaag te schuiven in de bevestiging. Zorg ervoor dat de gaten in de binnen-/buitenbuizen overlappen.
3. Plaats de twee sterknoppen (31) in de bevestigingsgaten.
4. Draai de sterknoppen stevig aan met de klok mee.
5. Zorg ervoor dat de handgrepen stevig werden vastgezet.

Figuur 7 De hoogte van de handgrepen aanpassen



3.4.3 Hoek van de beensteunen

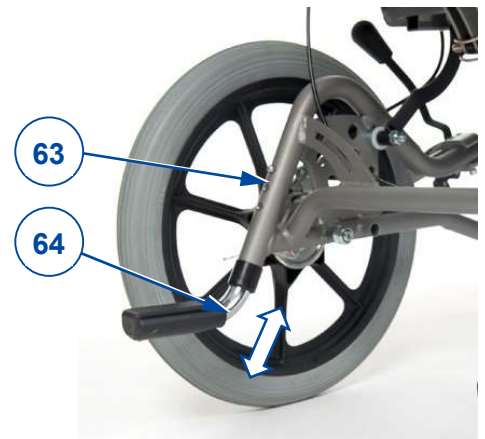
1. Maak de hendel (62) aan het draaipunt los.
2. Pas de hoek van de beensteun aan door de voetplaten te verhogen/verlagen (tussen 100° - 190°).
3. Draai de hendel (62) opnieuw stevig vast met de hand.
4. Herhaal dit voor de tweede beensteun. Zorg ervoor dat beide beensteunen stevig werden vastgezet.

Figuur 8 De hoek van de beensteun aanpassen



3.4.4 Hoogte van de trapdop

1. Duw op de veerknop (63) en houd ingedrukt.
2. Schuif de buis van de trapdop (64) in/uit de framebuis.
3. Laat de veerknop los.
4. Herhaal dit voor de tweede trapdop. Zorg ervoor dat beide trapdoppen stevig werden vastgezet.



Figuur 9 De hoogte van de trapdop aanpassen

3.5 Rijden

- i** Afhankelijk van uw medische toestand en het type rolstoel, kan u de rolstoel zelf rijden, of deze laten duwen door een begeleider.

 **VOORZICHTIG** Risico voor knellen

- Vermijd dat uw vingers gekneld raken tussen de wielspaken.
- Vermijd dat uw handen gekneld raken tussen de aandrijfhoepels wanneer u door smalle doorgangen rijdt.
- Wanneer u met een begeleider rijdt, houd dan uw armen uit de buurt van de wielen, en uw voeten op de voetplaten.

 **VOORZICHTIG** Gevaar voor letsel of beschadiging

- Rijd NIET op hellingen, hindernissen, treden of stoepranden die groter zijn dan beschreven in de technische specificaties van hoofdstuk 5.
- Begeef uzelf niet in het verkeer met uw rolstoel. Blijf altijd op het voetpad.
- Bedien de aandrijfhoepels niet met natte handen.
- Pas op als de weg gaten of spleten heeft waardoor de wielen kunnen vastlopen.
- Vermijd stenen en andere objecten die de wielen kunnen blokkeren.
- Houd steeds rekening met de draaicirkel van de voetsteun om te voorkomen dat voorbijgangers verwond raken, of dat objecten beschadigd raken.
- Voor gebruik, zorg ervoor dat:
 - alle aanpassingen stevig vastzitten, zie §3.4.
 - de parkeerremmen goed werken.
 - de remmen in goede staat zijn, §4.

3.5.1 Rijden met een begeleider

1. Zet de remmen los, of laat ze loszetten door uw begeleider, terwijl hij/zij de rolstoel vasthoudt om beweging te voorkomen, zie §3.1 of §3.2
2. De begeleider houdt de handgrepen of duwstang vast en duwt de rolstoel in de gewenste richting.
3. Wanneer u gestopt bent, zet u de remmen weer vast terwijl de rolstoel op zijn plaats gehouden wordt, zie §3.1 of §3.2

3.5.2 Zelf rijden

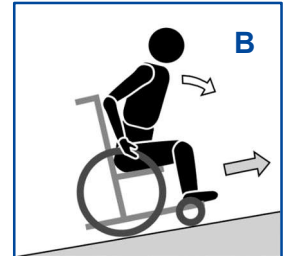
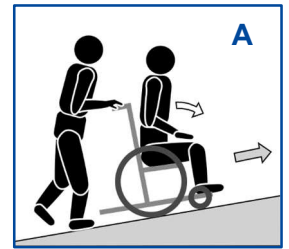
1. Zet de remmen één voor één los, zie §3.1.
2. Neem de aandrijfhoepels aan de bovenzijde vast.
3. Leun voorwaarts en draai de hoepels naar voor tot uw armen gestrekt zijn.
4. Breng uw handen terug naar de bovenzijde van de hoepels en herhaal de beweging.
5. Om te stoppen: wacht tot de rolstoel stopt en beweeg voorwaarts/achterwaarts door de aandrijfhoepels te gebruiken. Zet de parkeerremmen één voor één vast, zie §3.1.

3.5.3 Rijden op hellingen

 **VOORZICHTIG** Gevaar voor letsel

- Als uw begeleider te weinig kracht heeft om de rolstoel te controleren, stop dan met rijden en zet onmiddellijk de remmen vast.
- Wanneer u stopt op een (kleine) helling, gebruik dan de remmen. De rolstoel kan anders immers onverwacht bewegen.

1. Bevestig de veiligheidsgordel.
2. Vraag een begeleider of omstaander om u te helpen.
3. Rijd traag en in een rechte lijn. Bij het oprijden van de helling, leun lichtjes naar voor (A/B). Bij het afrijden van de helling, leun achterwaarts tegen de rug.
4. Rijd nooit achterwaarts op een helling.



Figuur 10 Een helling oprijden

3.5.4 Rampen gebruiken

 **VOORZICHTIG** Gevaar voor letsel door omkantelen

- Gebruik enkel rampen die goedgekeurd werden door Vermeiren en overschrijd hun maximaal toegestane belasting niet.
 - Zorg ervoor dat de rolstoel de grond of ramp niet raakt door de kanteling.
 - Gebruik enkel rampen met hulp van een of twee begeleiders.
1. Pas de positie van de rugsteun, zit en voetsteun aan om het ingenomen volume van de rolstoel te beperken, en om de stabiliteit tijdens inclinatie te vergroten.
 2. Verwijder de voetsteunen, zie §2.4.5.
 3. Volg de instructies in §3.5.3.

3.5.5 Trappen nemen

 **VOORZICHTIG** Gevaar voor letsel door omkantelen

- Trappen mogen enkel genomen worden met behulp van twee begeleiders.
- Neem geen trappen die ongepast zijn voor rolstoelen.

Om trappen te nemen terwijl u in de rolstoel zit, volgt u de volgende instructies:

1. Verwijder de voetsteunen, zie §2.4.5.
2. Laat één begeleider de rolstoel lichtjes naar achteren kantelen.
3. De tweede begeleider neemt het frame van de rolstoel aan bij de kanten aan de voorzijde vast.
4. Blijf rustig zitten, vermijd plotse bewegingen en houd uw armen binnen de rolstoel.
5. Beide begeleiders tillen en duwen de rolstoel van trede naar trede op de achterwielen.
6. Na het nemen van de trap, plaats de voetsteunen terug, zie §2.4.4.



Figuur 11 Trappen nemen

3.5.6 Omgaan met hindernissen

 **VOORZICHTIG** Gevaar voor letsel door omkantelen

- Vraag steeds hulp aan een of twee begeleiders.
- Zorg ervoor dat de voetplaten de grond niet raken bij het nemen van het obstakel. Indien nodig, verwijder de voetsteunen.
- Gebruik uw rolstoel niet op roltrappen.
- Indien beschikbaar, bevestig uw veiligheidsgordel.

Kleine stoepranden (op of af)

Deze kunnen voorwaarts genomen worden (E/F) met behulp van een begeleider:

1. De begeleider beweegt de rolstoel voorwaarts naar de stoeprand. Zorg ervoor dat de voetplaten de stoeprand niet zullen raken.
2. Leun achterwaarts om de druk op de voorwielen te verminderen.
3. De begeleider houdt de handgrepen stevig vast. Indien nodig kan hij de trapdop gebruiken om de voorwielen omhoog te houden totdat ze de stoeprand voorbij zijn.
4. De begeleider vermindert de druk op de handgrepen en trapdop om de voorwielen van de rolstoel zachtjes op de grond te plaatsen.
5. Vervolgens houdt hij de handgrepen stevig vast terwijl hij de rolstoel op de achterwielen op/af de stoeprand rijdt.

Figuur 12 Kleine stoepranden nemen met een begeleider



Medium stoepranden (op of af)

Deze moeten achterwaarts genomen worden met een begeleider:

1. De begeleider draait de rolstoel om zodat de achterwielen de stoeprand eerst bereiken (G/H).
2. Afrijden: Leun voorwaarts (G) om uw zwaartepunt naar voor te verplaatsen.
Oprijden: Leun achterwaarts (H) om uw zwaartepunt naar achter te verplaatsen.
3. De begeleider trekt de rolstoel zachtjes op/af de stoeprand.

Figuur 13 Medium stoepranden nemen met een begeleider



Hoge stoepranden

Hoge stoepranden, maar onder de maximaal toegestane hoogte (zie §5), moeten genomen worden met behulp van twee begeleiders.

Afrijden:

1. Verwijder de voetsteunen.
2. De begeleider beweegt de rolstoel voorwaarts naar de stoeprand.
3. Leun achterwaarts om de druk op de voorwielen te verminderen.
4. De begeleider houdt de handgrepen stevig vast en gebruikt indien nodig de trapdop om de voorwielen omhoog te houden totdat ze de stoeprand voorbij zijn.
5. De tweede begeleider neemt het frame van de rolstoel aan de voorzijde vast en trekt de achterwielen over de stoeprand.
6. De eerste begeleider vermindert de druk op de handgrepen en trapdop om de voorwielen op de grond te plaatsen.

Oprijden

1. Verwijder de voetsteunen.
2. De eerste begeleider draait de rolstoel om zodat de achterwielen de stoeprand eerst bereiken.
3. Leun achterwaarts om uw zwaartepunt naar achter te verplaatsen.
4. De tweede begeleider neemt het frame van de rolstoel aan de voorzijde vast en trekt/duwt de achterwielen over de stoeprand. De eerste begeleider houdt de handgrepen stevig vast en tilt ze op om te voorkomen dat de rolstoel omkantelt.

3.6 De handset gebruiken

⚠ VOORZICHTIG Gevaar voor letsel of beschadiging

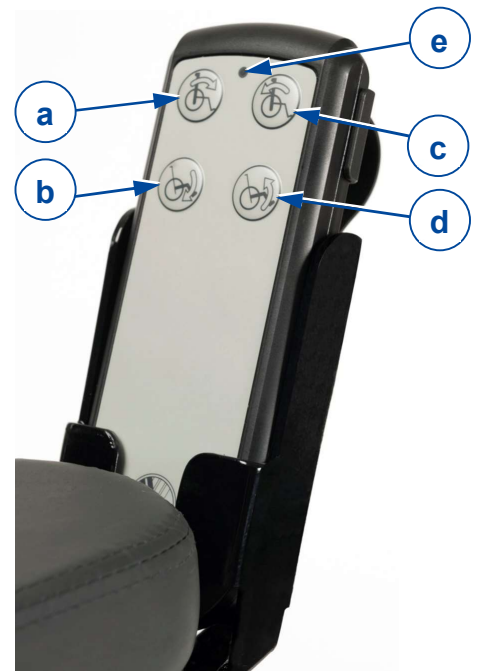
- De handset mag enkel bediend worden door een bekwame gebruiker of zijn/haar geautoriseerde en getrainde medewerkers.
- Houd er rekening mee dat de stabiliteit van uw rolstoel vermindert wanneer u de positie aanpast van rechtop zittend naar gekanteld.

⚠ VOORZICHTIG Gevaar voor beschadiging

- Zorg ervoor dat u voldoende ruimte heeft rondom de rolstoel om de rugsteun en zit aan te passen.
- Zorg ervoor dat er geen objecten gekneld raken tussen bewegende onderdelen.

De rolstoel wordt geleverd met een handset om de bewegende onderdelen te bedienen. Gebruik als volgt:

1. Activeer de parkeerremmen, zie §3.1.
2. Verbind de batterijlader met een 230V AC stopcontact.
3. Wacht ten minste 15 seconden. Het indicatorlampje (e) gaat aan.
4. Om te bedienen, drukt u een van de knoppen (a - d).
5. Om de beweging te stoppen, laat u de knop los.



Bedieningsknoppen:

- (a) Rugsteun - Verhogen naar rechtop zittende positie
- (b) Zit - Verlagen naar zittende positie
- (c) Rugsteun - Verlagen naar geïnclineerde positie
- (d) Zit - Verhogen naar geïnclineerde positie

Figuur 14 Handset in handsethouder

Voor meer informatie over de inclinatiehoeken van de rug en zit, zie hoofdstuk 5.

3.7 Batterijstatus en opladen

⚠ WAARSCHUWING Gevaar voor letsel of beschadiging door brand

- Gebruik enkel de batterijlader die geleverd werd bij uw rolstoel. Het gebruiken van een andere batterijlader kan gevaarlijk zijn (brandgevaar).
- De lader is enkel bedoeld om de batterijen op te laden die geleverd werden bij uw rolstoel, geen andere batterijen.
- Maak geen aanpassingen aan de geleverde onderdelen, bijv. kabels, stekkers of de stroomadapter. Open of vervang nooit de batterij of de aansluitpunten.
- Bescherm de batterij en batterijlader tegen vlammen, hoge temperaturen (>50°), vochtigheid, zon, hevige schokken (bijvoorbeeld vallen). Gebruik de batterij NIET als ze is blootgesteld aan een van de voornoemde omstandigheden.
- Laad de batterij op met de geleverde lader, binnenshuis, in een goed geventileerde ruimte, buiten het bereik van kinderen. Gebruik geen verlengsnoeren bij het laden.

⚠ VOORZICHTIG Gevaar voor beschadiging

- Lees de instructies voor bewaring en onderhoud in §4.1, en de technische details in hoofdstuk 5.
- Laat de batterij nooit volledig ontladen.
- Onderbreek de laadcyclus niet; koppel de batterijlader pas los wanneer de batterij volledig opgeladen is.
- De levensduur van de batterij daalt als ze wordt blootgesteld aan extreme koude voor een langere periode.
- Houd het aansluitpunt voor de batterijlader vrij van stof of vuil.
- Gebruik de batterijlader rechtstreeks in het stopcontact (zonder tijdschakelaar).
- In geval van problemen waardoor de batterij niet opgeladen kan worden volgens de gebruiksaanwijzing van de lader, neem dan contact op met uw vakhandelaar.
- Door ruststroom zal de batterij zichzelf ontladen als de rolstoel niet gebruikt wordt voor een bepaalde periode. We raden daarom aan om de batterij nog steeds regelmatig op te laden.

3.7.1 Batterijstatus

Het indicatorlampje (65) op de batterijbehuizing toont de status van de batterijcapaciteit volgens de signalisatie in tabel 1.



Figuur 15 Batterijlocatie op de rolstoel

Tabel 1: Code batterij-indicator

Indicatiecode	Betekenis
GROEN, voortdurend AAN	Batterij is verbonden met het stroomnet en laadt normaal op. (Batterijcapaciteit tussen 70% en 100%). <ul style="list-style-type: none"> • Houd de batterij verbonden met het stroomnet tot ze volledig opgeladen is.
GROEN, snel knipperend; 1 seconde AAN, 1 seconde UIT	Batterij is verbonden met het stroomnet en laadt normaal op (batterijcapaciteit minder dan 70%). <ul style="list-style-type: none"> • Houd de batterij verbonden met het stroomnet tot ze volledig opgeladen is.
GROEN, traag knipperend; 0,5 seconde AAN, 4 seconden UIT	Normale ontlading van de batterij (batterijcapaciteit tussen 25% en 100%)
ORANJE, traag knipperend; 0,5 seconde AAN, 4 seconden UIT	Batterij moet opgeladen worden (batterijcapaciteit minder dan 25%) <ul style="list-style-type: none"> • Laad de batterij op.
ORANJE, voortdurend AAN	Duidt een storing aan. De batterij kan losgekoppeld zijn, of er is een elektrisch probleem. <ul style="list-style-type: none"> • Contacteer uw vakhandelaar voor bijstand of vervanging.
Lichtindicator voortdurend UIT	Batterijbescherming wordt toegepast en werking wordt geblokkeerd wanneer: <ul style="list-style-type: none"> ◦ Overspanning bestaat voor meer dan 10 seconden

	<ul style="list-style-type: none"> o Laagspanning veroorzaakt overontlading. Dit komt voor wanneer de batterijcapaciteit daalt tot minder dan 20%. • Laad de batterij op.
--	---

3.7.2 De batterij opladen

Om de batterij op te laden:

1. Verbind EERST de batterijlader met een 230V AC stopcontact. De indicator (66) gaat aan (groen) om te tonen dat de batterij gevoed wordt. Indien dit niet gebeurt, gebruik de lader dan niet en contacteer uw vakhandelaar.
2. Sluit de laderstekker (67) aan op het contact (68) van het laadpunt, zie Figuur 16. Zorg ervoor dat de uitsparing van de stekker over het uitstekende deel in het contact schuift.
3. Wacht tot het batterij-indicatorlampje (66) groen wordt (capaciteit meer dan 70%) en laat de batterij dan nog 10 uur langer laden.
4. Koppel de batterijlader los.
5. Verwijder de lader uit het stopcontact, laat afkoelen en bewaar in de bijhorende tas.




Figuur 16 Locatie van het aansluitingspunt

- i** Afhankelijk van de staat van de batterij, dient de batterij voor minimaal 10 uur, tot 24 uur of langer worden opgeladen wanneer de capaciteit minder is dan 25%. Langer opladen zal de batterij niet schaden.
De laadcyclus kan op ieder moment begonnen of afgebroken worden volgens de bovenstaande instructies.

4 Onderhoud

Uw rolstoel heeft slechts minimaal onderhoud nodig, maar we raden aan om de rolstoel regelmatig na te kijken voor jarenlang probleemloos rijplezier.

4.1 Tijdstippen voor onderhoud

 **VOORZICHTIG** Gevaar voor letsel of beschadiging

Reparaties en vervangingen mogen enkel uitgevoerd worden door opgeleid personeel, en enkel originele onderdelen van Vermeiren mogen hierbij gebruikt worden.

- i** De laatste pagina van deze handleiding bevat een registratieformulier, bedoeld voor de vakhandelaar om ieder onderhoud te registreren.

De onderhoudsfrequentie hangt af van de frequentie en intensiteit van gebruik. Neem contact op met uw vakhandelaar om een tijdschema vast te leggen voor nazicht/onderhoud/repairatie.

Voor ieder gebruik

Kijk de volgende punten na:

- Alle onderdelen: aanwezig en niet beschadigd of versleten.
- Alle onderdelen: schoon, zie 4.2.2.
- Wielen, zit, beensteunen, armsteunen, voetsteunen, voetplaten en hoofdsteun (indien van toepassing): stevig bevestigd.
- Batterijstatus: laad de batterij op indien nodig, zie §3.7.
- handset, batterij, aansluitdoos, motor, batterijlader en relevante kabels: geen schade zoals gerafelde, gebroken of blootgestelde draden.
- Staat van de wielen/banden, zie § 4.2.1.
- Staat van de remmen, zie § 4.2.1.
- Staat van het frame: geen vervorming, instabiliteit, zwakte of losse verbindingen.
- Zit, rugsteun, armleggers, kuitsteunen en hoofdsteun (indien van toepassing): geen overmatige slijtage (bijv. gedeukte plekken, schade of scheuren).

Contacteer uw vakhandelaar voor eventuele reparaties of vervanging van onderdelen.

Iedere zes maanden

Als uw rolstoel voor een periode wordt opgeslagen, raden we aan om de batterijen nog steeds iedere 6 maanden gedurende minstens 24 uur op te laden. Voor meer informatie, zie § 3.5.

Jaarlijks of vaker

Laat uw rolstoel nakijken en onderhouden door uw vakhandelaar, ten minste één keer per jaar of vaker. De minimale onderhoudsfrequentie is afhankelijk van het gebruik en moet daarom besproken worden met uw vakhandelaar.

Bij opslag

Zorg ervoor dat uw rolstoel droog wordt bewaard om schimmel of schade aan de bekleding te voorkomen.

4.2 Instructies voor onderhoud

4.2.1 Wielen en banden

- i** De goede werking van de remmen hangt af van de staat van de banden, die onderhevig zijn aan slijtage en verontreiniging (water, olie, modder,...).

- Houd de wielen vrij van draden, haar, zand en vezels.
- Kijk het profiel van de banden na. Als de profieldiepte minder dan 1 mm bedraagt, moeten de banden vervangen worden. Contacteer hiervoor uw vakhandelaar.

4.2.2 Schoonmaak

 **VOORZICHTIG** Gevaar voor beschadiging door vocht

- Houd de handset schoon en bescherm ze tegen water en regen.
- Gebruik nooit een tuinslang of hogedrukreiniger om de rolstoel schoon te maken.

Veeg alle harde onderdelen van de rolstoel schoon met een vochtig doek (niet doorweekt). Indien nodig, gebruik een milde zeep die geschikt is voor vernis en synthetische materialen.

De bekleding kan schoon worden gemaakt met lauw water en een milde zeep. Gebruik geen agressieve schoonmaakmiddelen.


4.2.3 Ontsmetting

 **VOORZICHTIG** Gevaar voor beschadiging

Ontsmetting mag enkel worden uitgevoerd door getraind personeel. Neem contact op met uw vakhandelaar.

4.3 Probleemoplossing

Ook wanneer u de rolstoel correct gebruikt, is het toch mogelijk dat er een technisch probleem optreedt. Neem in dat geval contact op met uw vakhandelaar.

 **WAAARSCHUWING** Gevaar voor letsel of beschadiging aan de rolstoel

- Probeer **NOOIT** zelf uw rolstoel te repareren.

De volgende tekenen kunnen wijzen op een ernstig probleem. Neem daarom steeds contact op met uw vakhandelaar als u een van de volgende afwijkingen opmerkt:

- Vreemde geluiden;
- Gerafelde/beschadigde kabelboom;
- Gebarsten of gebroken aansluitingen;
- De rolstoel staat aan, maar bediening van de handset geeft geen resultaat, zie §3.7.

4.4 Verwachte levensduur

De gemiddelde levensduur van uw rolstoel is 5 jaar. De levensduur zal toenemen of afnemen afhankelijk van de gebruiksfrequentie, rijomstandigheden en onderhoud.

4.5 Beëindiging van gebruik

Op het einde van de levensduur moet u de rolstoel vernietigen volgens de lokale milieuwetgeving. De beste manier om dit te doen, is de rolstoel te demonteren om het vervoer van de recycleerbare onderdelen te vergemakkelijken.

5 Technische specificaties

Onderstaande technische gegevens zijn enkel geldig voor deze rolstoel, met standaard instellingen en optimale omgevingscondities. Houd bij gebruik rekening met deze details. Deze waarden zijn niet meer van toepassing als uw rolstoel werd gewijzigd, of wanneer hij beschadigd of ernstig versleten is.

Tabel 2: Technische specificaties

Merk	Vermeiren	
Type	Rolstoel	
Model	Inovys II-E	
Omschrijving	Specificaties	
Max. gewicht van gebruiker	135 kg	
Statische stabiliteit bergaf	10° **	
Statische stabiliteit bergop	15° **	
Statische stabiliteit zijwaarts	12° **	
Maximale hoogte hindernis	60 mm	
Omschrijving	Min.	Max.
Totale lengte inclusief voetsteunen (afhankelijk van de ingestelde zitdiepte)	1050 mm	1090 mm
Gedemonteerde lengte zonder voetsteunen	830 mm	870 mm
Totale hoogte (zonder hoofdsteun)	990 mm	1060 mm
Gedemonteerde hoogte (Rug dichtgevouwen, zonder armsteunen)	710 mm	780 mm
Zithoek	0°	+21°
Effectieve zitdiepte	460 mm	520 mm
Zithoogte aan voorzijde (met kussen)	460 mm	530 mm
Rughoek	0°	+54°
Rughoogte	550 mm	585 mm
Afstand tussen zit en voetsteun	400 mm	570 mm *
Hoek voetplaat	80°	100°
Hoek tussen zit en voetsteun	104°	194°
Afstand tussen armsteun en zit	220 mm	320 mm
Afstand voorzijde armsteun	460 mm	490 mm
Omschrijving	Dimensies per configuratie	
Diameter achterwielen	16" (T30) Met trommelremmen	24"
Diameter aandrijfhoepel	NVT	535 mm
Effectieve zitbreedte	400 mm	500 mm
Totale breedte (afhankelijk van de zitbreedte)	630 mm	730 mm
Gedemonteerde breedte (zonder armsteunen)	600 mm	700 mm
Breedte voetplaat (minimum – maximum)	44-46 mm	48-50 mm
Diameter stuurwielen	200 mm	200 mm
Horizontale afstand van de as (uitwijking)	-8 mm - 41 mm	-4 mm - 42 mm
Totaal gewicht	41,7 kg	40,9 kg
Gewicht van zwaarste onderdeel	27,1 kg	22,9 kg

Gewicht van demonteerbare onderdelen		
Voetsteunen	4,80 kg	4,80 kg
Armsteunen	3,8 kg	3,8 kg
Achterwielen	NVT	3,6 kg
Rugsteun	3,6 kg	3,6 kg
Batterij-indicator	2,2 kg	2,2 kg
Draaicirkel (diameter)	1520 mm	1620 mm
Omschrijving	Specificaties voor alle configuraties	
Sterktesten volgens	ISO 7176-8	
Brandweerstand van de bekleding volgens	ISO 7176-16	
EMC-compatibiliteit volgens	ISO 7176-21 / EN 61000-3-2 en EN 61000-3-3	
Voeding / Transformator	Input: 100-240 V AC, 50/60Hz Max. output: 29V DC, 2.5A Beschermingsklasse: IP66 Inschakeltijd: 2 min AAN / 18 min UIT	
Batterij-indicator	Capaciteit: 1,2 Ah Input: 29~45V DC Output: 24V DC, 1.2A Beschermingsklasse: IP66 Inschakeltijd: 10% (2 min. AAN / 18 min. UIT)	
Motor (2x)	Capaciteit: 1500N Motorsnelheid: 2200RPM Umax 24VDC; I _{max} 2,2 A Beschermingsklasse: IP66 Inschakeltijd: 10% (Max.2 min. AAN / 18 min. UIT)	
Handset	Beschermingsklasse: IP66	
Opslag en gebruikstemperatuur (batterij)	+ 5 °C ~ + 45°C	
Opslag en gebruiksluchtvochtigheid	30% ~ 70%	
<p>We behouden ons het recht voor om technische wijzigingen te introduceren. Meettolerantie ± 15 mm /1,5 kg / 1,5°. (*) Verstel de voetsteun NIET tot maximale lengte om te voorkomen dat de voetplaat de grond raakt. (**) Getest in standaard configuratie NVT Niet van toepassing</p>		

Vorwort	2
1 Ihr Produkt	3
1.1 Beschreibung	3
1.2 Zubehör	4
2 Vor der Benutzung	5
2.1 Vorgesehene Benutzung.....	5
2.2 Allgemeine Sicherheitshinweise.....	5
2.3 Symbole am Rollstuhl	5
2.4 Transport und (De)Montage.....	6
2.5 Erstbenutzung und Lagerung.....	11
3 Benutzung des Rollstuhls	12
3.1 Feststellbremse (nur für 22 -/24-Zoll-Räder).....	12
3.2 Tommelbremsen (nur für fest stehende 16-Zoll-Räder)	12
3.3 Transfer in den/aus dem Rollstuhl	13
3.4 Komforteinstellungen	13
3.5 Fahren	15
3.6 Benutzung des Bedienteils	18
3.7 Akkustatus und Aufladung	18
4 Wartung	21
4.1 Wartungspunkte	21
4.2 Wartungshinweise.....	21
4.3 Störungsbeseitigung	22
4.4 Voraussichtliche Nutzungsdauer.....	22
4.5 Nutzungsende.....	22
5 Technische Daten	23

Vorwort

DE

Herzlichen Glückwunsch! Sie sind nun Besitzer eines Vermeiren-Rollstuhls! Dieser Rollstuhl wurde von versierten und engagierten Mitarbeitern gefertigt. Es entspricht hinsichtlich Konstruktion und Fertigung den hohen Qualitätsstandards von Vermeiren.

Vielen Dank für Ihr Vertrauen in Produkte von Vermeiren. Dieses Handbuch soll Ihnen bei der Benutzung dieses Rollstuhls und seiner Bedienmöglichkeiten helfen. Lesen Sie es daher bitte aufmerksam durch, um sich mit der Bedienung, den Fähigkeiten und Beschränkungen Ihres Rollstuhls vertraut zu machen. Sollten Sie nach der Lektüre dieses Handbuchs noch Fragen haben, können Sie sich jederzeit an Ihren Fachhändler wenden. Er wird Ihnen gerne in dieser Angelegenheit weiterhelfen.

Wichtiger Hinweis

Um Ihre Sicherheit zu gewährleisten und die Nutzungsdauer Ihres Produkts zu verlängern, sollten Sie es gut behandeln und regelmäßig überprüfen und/oder warten lassen. Die Garantie für dieses Produkt beruht auf dessen normaler Benutzung und Wartung wie in diesem Handbuch beschrieben. Schäden an Ihrem Produkt, die auf unsachgemäße Benutzung oder mangelnde Wartung zurückzuführen sind, führen zum Erlöschen der Garantie.

Dieses Handbuch enthält die neuesten Produktentwicklungen. Vermeiren behält sich das Recht vor, Veränderungen an dieser Art von Produkt vorzunehmen, ohne eine Verpflichtung einzugehen, ähnliche bereits ausgelieferte Produkte anzupassen oder auszutauschen. Abbildungen des Produkts dienen zur Verdeutlichung der Anweisungen in diesem Handbuch. Das gezeigte Produkt kann in Details von Ihrem Produkt abweichen.

Verfügbare Informationen

Auf unserer Webseite <http://www.vermeiren.com/> finden Sie stets die aktuellste Version der in diesem Handbuch beschriebenen Informationen. Informieren Sie sich bitte regelmäßig auf dieser Website nach eventuell verfügbaren Aktualisierungen. Sehbehinderte Menschen können sich die elektronische Version dieses Handbuchs herunterladen und mit Hilfe einer Sprachsyntheselösung („Text-to-Speech-Software“) vorlesen lassen.



Benutzerhandbuch

Für Benutzer und Fachhändler



Installationshandbuch

Für Fachhändler



Wartungshandbuch für Rollstühle

Für Fachhändler

1 Ihr Produkt

1.1 Beschreibung

Dieser Inovys II-E-Rollstuhl ist leicht zu bedienen und kann sowohl im Innen- als auch Außenbereich benutzt werden. Er lässt sich zusammenklappen und damit ganz einfach verstauen. Der Rollstuhl ist in mehreren Größen erhältlich und kann leicht mit optionalen Teilen erweitert werden, um den Komfort für den Benutzer zu erhöhen. Die folgenden Abbildungen zeigen alle Komponenten, die für den Benutzer wichtig sind. Im Abschnitt „Betrieb und Wartung“ werden diese Komponenten (falls relevant) beschrieben.

i Überprüfen Sie vor der Verwendung Ihres Rollstuhls die technischen Details und Grenzen der vorgesehenen Verwendung, siehe Kapitel 5.



Abbildung 1 Wichtige Komponenten

- | | | |
|--------------------------|--------------------|-------------------------------------|
| 1. Kopfstütze (optional) | 7. Fußgurt (2x) | 13. Hinterrad (2x) |
| 2. Rückenlehne | 8. Beinstütze (2x) | 14. Greifring (2x) |
| 3. Armpolster | 9. Armstütze (2x) | 15. Schiebegriff mit Handgriff (2x) |
| 4. Bedienteil | 10. Bremse (2x) | 16. Kopfstützenhalterung (optional) |
| 5. Beinstütze (2x) | 11. Vorderrad (2x) | |
| 6. Fußplatte (2x) | 12. Rahmen | |



Abbildung 2 Wichtige Komponenten (Forts.)

1.2 Zubehör

Folgendes Zubehör ist für den Inovys II-E erhältlich:

- Holzplatte (B12)
- Kopfstütze (L55, L58)
- Sicherheitsgurt (B58)
- Horizontalkeil (B22)
- Hemiplegische Armlehnen (B66)

Weitere Informationen erhalten Sie von Ihrem Fachhändler.

2 Vor der Benutzung

2.1 Vorgesehene Benutzung

Dieser Abschnitt enthält eine kurze Beschreibung der vorgesehenen Benutzung Ihres Rollstuhls. Darüber hinaus enthalten die Anweisungen in den anderen Abschnitten zusätzliche Warnhinweise. Auf diese Weise wollen wir Sie auf die Möglichkeit einer unsachgemäßen Benutzung hinweisen.

- Dieser Rollstuhl ist für den Innen- und Außenbereich geeignet.
- Dieser Rollstuhl ist ausschließlich dafür konzipiert und gefertigt, eine (1) Person mit einem Gewicht von maximal 135 kg zu transportieren. Er ist nicht dafür vorgesehen, weder Sachen oder Objekte zu transportieren noch zu anderen Zwecken als zuvor beschrieben benutzt zu werden.
- Abhängig von der Art der Räder Ihres Rollstuhls kann er von einer Begleitperson oder vom im Rollstuhl sitzenden Benutzer bedient werden. Sie dürfen diesen Rollstuhl NICHT benutzen, wenn Sie unter seelischen oder körperlichen Beeinträchtigungen leiden, die Sie oder andere Personen beim Fahren des Rollstuhls in Gefahr bringen könnten. Suchen Sie daher bitte zunächst Ihren Arzt auf und stellen Sie sicher, dass Ihr Fachhändler über dessen Rat informiert ist.
- Rollstuhl ist nicht für die Benutzung als Sitz in einem Motorfahrzeug vorgesehen
- Verwenden Sie ausschließlich von Vermeiren genehmigte Zubehör- oder Ersatzteile.

Sehen Sie sich auch die technischen Daten und die Grenzen Ihres Rollstuhls in Kapitel 7 an.

2.2 Allgemeine Sicherheitshinweise

 **VORSICHT** Gefahr von Personen- und/oder Sachschäden

Bitte lesen und befolgen Sie die Anweisungen in dieser Bedienungsanleitung, da andernfalls Verletzungsgefahr besteht oder Ihr Rollstuhl beschädigt werden könnte.

Beachten Sie bei der Benutzung die folgenden allgemeinen Warnhinweise:

- Benutzen Sie Ihren Rollstuhl nicht, wenn Sie unter dem Einfluss von Alkohol, Medikamenten oder anderen Substanzen stehen, die Ihre Fahrtüchtigkeit beeinträchtigen könnten. Dies gilt auch für Ihre Begleitperson, die den Rollstuhl bedient.
- Beachten Sie, dass bestimmte Teile dieses Rollstuhls infolge der Umgebungstemperatur, Sonneneinstrahlung, Heizkörpern usw. sehr warm oder sehr kalt werden können. Seien Sie daher vorsichtig beim Berühren. Tragen Sie bei kaltem Wetter Schutzbekleidung. Wenn Sie sich im Freien aufhalten, können Reithandschuhe verwendet werden, um den Griff an den Handrädern zu verbessern.
- Beachten Sie die Pflege- und Wartungshinweise. Bei Schäden aufgrund von mangelnder Wartung/Pflege haftet der Hersteller nicht.

2.3 Symbole am Rollstuhl

Die nachstehend aufgeführten Symbole gelten für Ihren Rollstuhl. Symbole sind in der entsprechenden ISO-Norm (ISO 7000, ISO 7001 und IEC 417) zu finden.



Maximalgewicht des Benutzers (in kg)



Verwendung im Innen- und Außenbereich (Akku und Netzteil ausgenommen)



Nur für den Gebrauch in Innenräumen (Akku und Netzteil)



Maximale Neigungssicherheit in ° (Grad).



Höchstgeschwindigkeit



Nicht für die Benutzung als Sitz in einem Motorfahrzeug vorgesehen



Typbezeichnung

2.4 Transport und (De)Montage

2.4.1 Beiseiteschaffen

Bewegen Sie den Rollstuhl mit seinen Rädern und rollen Sie ihn zum Ziel.

Wenn dies nicht möglich ist und keine Demontage erwünscht ist, bitten Sie um Hilfe, um den Rollstuhl anzuheben. Ergreifen Sie den Rahmen mit beiden Händen und heben Sie ihn hoch. Verwenden Sie weder die Rückenlehne, die Fuß- oder Armstützen noch die Räder, um den Rollstuhl zu greifen.

2.4.2 Transport mit dem Flugzeug

Da der Rollstuhl mit einer Bleibatterie ausgestattet ist, ist es nicht möglich, den Rollstuhl als Ganzes mit einem Flugzeug zu transportieren. Sollten Sie dies trotzdem vorhaben, wenden Sie sich vor der Buchung eines Fluges bitte an die Fluggesellschaft. Es ist auch möglich, den Akku zu entfernen und bei Ankunft einen neuen zu kaufen. Für weitergehende Hinweise wenden Sie sich bitte an Ihren Fachhändler.

2.4.3 Transport in einem Fahrzeug



WARNUNG

Verletzungsgefahr

- Benutzen Sie Ihren Rollstuhl NICHT als Sitz in einem Fahrzeug (siehe Symbol).
- Benutzen Sie niemals denselben Sicherheitsgurt für Fahrgast und Rollstuhl.



1. Benutzen Sie das Bedienteil, um Ihren Rollstuhl in die Sitzposition zu bringen (siehe Abschnitt 3.6).
2. Demontieren und heben Sie den Rollstuhl in das Fahrzeug gemäß den Anweisungen in Abschnitt 2.4.4.
3. Legen Sie den Rollstuhl und seine Komponenten in den Gepäckraum. Falls Gepäckraum und Fahrgastzelle NICHT voneinander getrennt sind, muss der Rahmen des Rollstuhls sicher am Fahrzeug befestigt werden.

- i** Sie können den Rollstuhl auf einer Rampe in das Fahrzeug schieben, siehe 3.5.4.
Betätigen Sie nach dem Einladen die Feststellbremsen (siehe Abschnitt 3.1).

2.4.4 Montage

 **VORSICHT** Gefahr von Personen- oder Sachschäden

- Stellen Sie sicher, dass Ihre Finger, Kleidung und Schnallen während der Montage nicht verfangen werden.
- Behalten Sie stets den Schwenkbereich der Fußstütze im Auge, um zu vermeiden, dass umstehende Personen verletzt oder Gegenstände beschädigt werden.
- Vergewissern Sie sich vor dem Gebrauch immer, dass alle zusammengebauten Teile fest gesichert sind.



Abbildung 3 Inovys II-E Grundrahmen mit 16-Zoll- und 24-Zoll-Rädern - zerlegte Teile



[1]

- Stellen Sie den Rollstuhl mit vier Rädern auf den Boden.
- Klappen Sie den Rückenlehnenrahmen auf.



[2]

- Montieren Sie die Vorderseite des Motors mit dem Befestigungsstift (33) am Rückenlehnenrahmen und verriegeln Sie seine Klammer.
- Stellen Sie sicher, dass der Rückenlehnenrahmen fest am Motor befestigt ist.



[3]

- Hängen Sie die Rückenlehne mit ihren vier Schrauben in die vier Halterungen (35) des Rückenlehnensrahmens.
- Ziehen Sie die beiden oberen Sternknäufe (36) von Hand an.
- Stellen Sie sicher, dass die Rückenlehne fest sitzt.



[4]

- Drehen Sie den Sternknopf (37) der Armlehnenhalterung gegen den Uhrzeigersinn und entfernen Sie ihn.
- Setzen Sie die Armlehne in die Armlehnenhalterung ein.
- Setzen Sie den Sternknopf (37) ein und drehen Sie ihn im Uhrzeigersinn, bis er fest sitzt.
- Stellen Sie sicher, dass die Armlehne fest sitzt.
- Wiederholen Sie dies für die zweite Armlehne.



[5]

- Halten Sie die Beinstütze (5) zur Seite und hängen Sie sie in die Fußstützenhalterung (39) ein. Stellen Sie sicher, dass das Beinauflagenloch (44) über dem unteren Halterungsteil liegt und dass der Beinauflagenstift (38) in die obere Halterung eingesetzt ist.
- Schwenken Sie die Beinstütze (5) nach innen, bis sie einrastet.
- Wiederholen Sie dies für die zweite Beinstütze.



[6]

- Schwenken Sie die Fußplatte (6) nach unten.
- Wiederholen Sie dies für die zweite Fußplatte.



[7]

- Schwenken Sie die Wadenstütze (40) nach innen .
- Drehen Sie die Wadenstütze (8) nach hinten.
- Wiederholen Sie dies für die zweite Wadenstütze.



[8]

- Montieren Sie (falls zutreffend) die Kopfstütze (1) mit dem Vierkantröhr im Kopfstützenträger (41) an der Rückenlehne.
- Drehen Sie den Sternknopf (42) fingerfest.

Ihr Rollstuhl ist jetzt einsatzbereit.

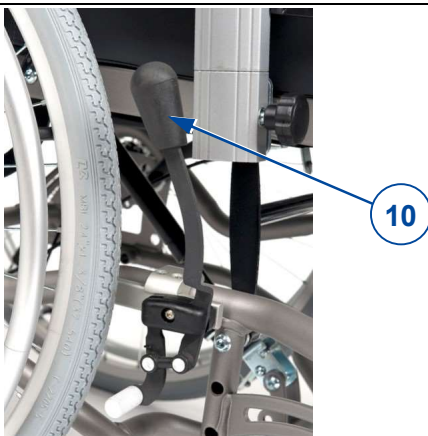
2.4.5 Demontage



VORSICHT

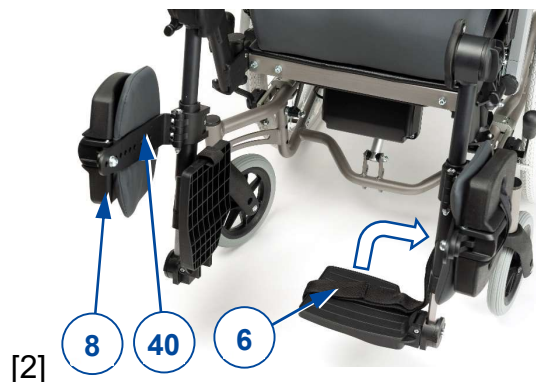
Gefahr von Personen- oder Sachschäden

- Stellen Sie sicher, dass Ihre Finger, Kleidung und Schnallen während der Demontage nicht verfangen werden.
- Behalten Sie stets den Schwenkbereich der Fußstütze im Auge, um zu vermeiden, dass umstehende Personen verletzt oder Gegenstände beschädigt werden.



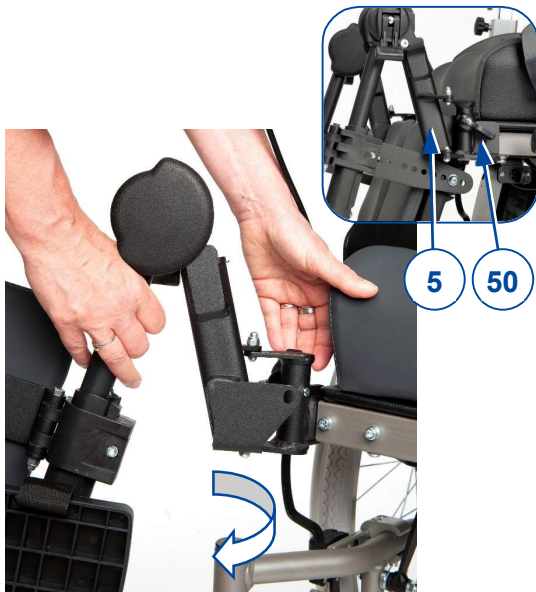
[1]

- Legen Sie beide Feststellbremsen durch Betätigen des Bremshebels (10) an, siehe Abschnitt 3.1.



[2]

- Schließen Sie die Wadenstütze (8) und drehen Sie die Wadenstützenhalterung (40) nach außen.
- Wiederholen Sie dies für die andere Wadenstütze.
- Klappen Sie beide Fußplatten (6) nach oben.



[3]

- Ziehen Sie den Beinstützenhebel (50) und schwenken Sie die Beinstütze (5) nach außen.
- Heben Sie die Beinstütze nach oben heraus.
- Wiederholen Sie dies für die andere Beinstütze.



[4]

- Drehen Sie den Sternkauf (37) gegen den Uhrzeigersinn.
- Ziehen und halten Sie den Sternknopf fest, während Sie die Armlehne (9) aus der Armlehnenhalterung ziehen.
- Ziehen Sie den Sternknopf (37) wieder fest.



[5]

- Demontieren Sie (falls zutreffend) die Kopfstütze
 - Lösen Sie den Sternknopf (42) der Kopfstützenhalterung und nehmen Sie die Halterung ab.
 - Ziehen Sie die Kopfstütze nach oben, bis sie frei von der Stütze an der Rückenlehne ist.



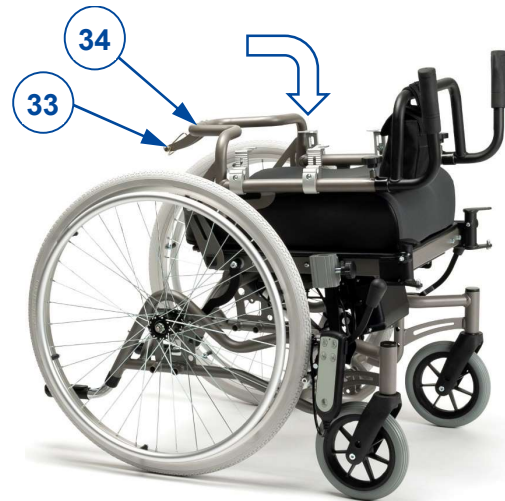
[6]

- Lösen Sie die beiden oberen Sternknäufe (36) der Rückenlehne von Hand.
- Ziehen Sie die Rückenlehne nach oben, bis sie sich von den vier Halterungen (35) löst.



[7]

- Demontieren Sie den Motor vom Rückenlehnenrahmen, indem Sie die Stütze des Befestigungsstiftes (33) öffnen und entfernen.



[8]

- Klappen Sie den Rückenlehnenrahmen (34) auf den Sitz herunter.
- Setzen Sie den Befestigungsstift (33) wieder in den Rahmen ein.

2.4.6 (De)Montieren) der Hinterräder (nur für 22-/ 24-Zoll-Räder):

Zu Transportzwecken kann es erforderlich sein, die Hinterräder zu (de)montieren.

Hinterräder abnehmen:

1. Halten Sie die Taste (43) gedrückt, während Sie die Radachse aus der Achsenbuchse schieben.
2. Wiederholen Sie dies für das andere Rad und platzieren Sie den Rollstuhl sanft auf die Kippkappen.

Hinterräder montieren:

1. Nehmen Sie eines der Hinterräder und heben Sie den Rollstuhl an einer Seite an.
2. Halten Sie die Taste (43) gedrückt, während Sie die Radachse in die Achsenbuchse schieben.
3. Lassen Sie die Taste los, um das Rad zu verriegeln.
4. Wiederholen Sie dies für das andere Rad. Stellen Sie sicher, dass beide Räder fest sitzen.



2.5 Erstbenutzung und Lagerung

VORSICHT Gefahr eines Akkuschadens

- Achten Sie darauf, den Akku niemals vollständig zu entladen.
- Unterbrechen Sie den Ladezyklus nicht und trennen Sie das Ladegerät erst ab, wenn der Akku vollständig aufgeladen ist.
- Achten Sie darauf, dass Ihr Rollstuhl trocken untergebracht ist, um zu verhindern, dass sich Schimmel bildet und die Polsterung beschädigt.
- Informieren Sie sich über die technischen Details der Lagerung (siehe Abschnitt 5).

Achten Sie darauf, dass alle Batterieanschlüsse eingesteckt sind und dass der Akku vollständig aufgeladen ist, bevor Sie Ihren Rollstuhl benutzen. Erkundigen Sie sich bei Ihrem Händler, ob dies bereits geschehen ist oder nicht. Befolgen Sie zum Aufladen die Anweisungen in Abschnitt 3.7.

3 Benutzung des Rollstuhls

 **WARNUNG** Verletzungsgefahr

- Lesen Sie zuerst die vorherigen Kapitel und informieren Sie sich über die beabsichtigte Verwendung. Verwenden Sie Ihren Rollstuhl NICHT, wenn Sie nicht alle Anweisungen gelesen und verstanden haben.
- Im Zweifelsfall oder bei Fragen wenden Sie sich bitte an Ihren örtlichen Fachhändler, Ihren Pflegedienst oder technischen Berater, um Ihnen zu helfen.

3.1 Feststellbremse (nur für 22 -/24-Zoll-Räder)

 **VORSICHT** Verletzungsgefahr

- Betätigen Sie den Bremshebel nur bei stehendem Rollstuhl.
- Eine Begleitperson sollte den Bremshebel betätigen, wenn Sie die Beweglichkeit beeinträchtigt haben.
- Stellen Sie sicher, dass sich der Rollstuhl auf einer flachen, horizontalen Oberfläche befindet, bevor Sie die Bremsen lösen.
- Lösen Sie niemals beide Bremsen gleichzeitig.
- Bremsen dürfen nur von Ihrem Fachhändler eingestellt werden.

 **VORSICHT** Beschädigungsgefahr

- Verwenden Sie die Feststellbremse nicht, um den Rollstuhl während der Bewegung zu verlangsamen.

Ihr Rollstuhl hat zwei manuell bediente Feststellbremsen. Diese Bremsen sollen eine Bewegung des Rollstuhls beim Parken verhindern.

Bremsen lösen [A]:

1. Halten Sie mit einer Hand einen Greifring fest (oder Ihre Begleitperson hält die Schiebestange mit einer Hand).
2. Ziehen Sie den Bremshebel (10) des ANDEREN Rades nach HINTEN.
3. Wiederholen Sie dies für das zweite Rad und die Feststellbremse.

Bremsen betätigen [B]:

1. Halten Sie mit einer Hand einen Greifring fest (oder Ihre Begleitperson hält die Schiebestange mit einer Hand).
2. Drücken Sie den Bremshebel (10) des ANDEREN Rades nach VORN, bis Sie spüren, dass es arretiert ist.
3. Wiederholen Sie dies für das zweite Rad und die Feststellbremse.

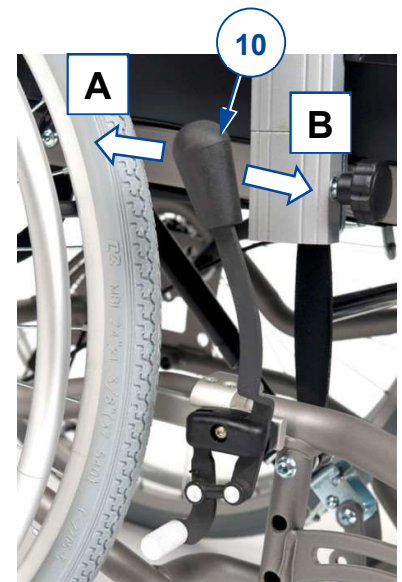


Abbildung 4 Betätigung der Feststellbremse

3.2 Tommelbremsen (nur für fest stehende 16-Zoll-Räder)

 **VORSICHT** Verletzungsgefahr

- Vergewissern Sie sich, dass sich der Rollstuhl auf einer flachen, horizontalen Oberfläche befindet, bevor Sie die Bremsen lösen.
- Lösen Sie niemals beide Bremsen gleichzeitig.
- Stoppen oder Parken an einem Hang die Feststellbremse betätigen, nachdem Sie angehalten haben.
- Bremsen dürfen nur von Ihrem Fachhändler eingestellt werden.

So betätigen Sie die Trommelbremse:

1. Ziehen Sie die Bremshebel (60) in einer Druckbewegung.
2. Jeder Bremshebel (60) kann durch Drücken des Verriegelungshebels (61) mit dem Finger nach unten blockiert werden.
3. Lösen Sie die Bremshebel (60).

So bewegen/fahren Sie wieder:

1. Ziehen Sie die Bremshebel (60) in einer Druckbewegung. Durch diese Bewegung wird der Sperrhebel (61) freigegeben.
2. Halten Sie die Handgriffe fest, während Sie die Bremshebel (60) loslassen.

Abbildung 5 Trommelbremsenbedienung



3.3 Transfer in den/aus dem Rollstuhl

 VORSICHT Gefahr von Personen- oder Sachschäden

- Falls Sie den Vorgang allein nicht sicher bewältigen können, bitten Sie jemanden um Hilfe.
- Stellen Sie sich nicht auf die Fußplatten, wenn Sie in den Rollstuhl ein- oder aussteigen.

Transfer

1. Stellen Sie den Rollstuhl möglichst dicht neben sich, wenn Sie in einem Sessel, auf einem Sofa, Stuhl oder Bett sitzen.
2. Betätigen Sie beide Feststellbremsen, um die Bewegung zu blockieren, siehe Abschnitt 3.1.
3. Benutzen Sie die Bedienteile, um die Rückenlehne und den Sitz in die gewünschte Stellung zu bringen, siehe Abschnitt 3.6.
4. Klappen Sie die Fußplatten nach oben, um nicht auf ihnen zu stehen, oder drehen Sie die Beinstützen zur Seite, um den Durchgang für den Transfer freizugeben.
5. Entfernen Sie gegebenenfalls die Armlehne und/oder die Beinstütze auf einer Seite (siehe Abschnitt 2.4.5).
6. Bewegen Sie sich aus eigener Kraft mit den Armen oder mit Hilfe einer Begleitperson oder einer Hebevorrichtung in den Rollstuhl hinein oder aus ihm heraus.

Sitzen im Rollstuhl

1. Setzen Sie sich so hin, dass Ihr unterer Rücken an der Rückenlehne anliegt
2. Bringen Sie die Armlehne und/oder Beinstütze wieder an, wenn Sie sie entfernt haben.
3. Drehen Sie die Beinstützen wieder nach vorne, klappen Sie die Fußplatten nach unten und stellen Sie die Füße auf die Fußplatten.
4. Stellen Sie sicher, dass Ihre Oberschenkel waagrecht sind und Ihre Füße sich in einer bequemen Position befinden. Stellen Sie dann den Rollstuhl gemäß den Anweisungen in Abschnitt 3.4 ein.

3.4 Komforteinstellungen

 VORSICHT Gefahr von Personen- oder Sachschäden

- Die folgenden Komforteinstellungen können von der Begleit- oder der Pflegeperson vorgenommen werden. Alle anderen Einstellungen werden von Ihrem Fachhändler vorgenommen
- Behalten Sie stets den Schwenkbereich der Fußstütze im Auge, um zu vermeiden, dass umstehende Personen verletzt oder Gegenstände beschädigt werden.
- Stellen Sie sicher, dass Ihre Finger, Kleidung und Schnallen während der Einstellung nicht verfangen werden.

3.4.1 Armlehnenhöhe

Die Armauflagen (3) des Rollstuhls können in 6 verschiedenen Höhenpositionen eingestellt werden:

1. Drehen Sie den Sternknopf (45) gegen den Uhrzeigersinn, um ihn zu entriegeln.
2. Ziehen und halten Sie den Sternknopf, um das Innenrohr der Armlehne (9) zu lösen
3. Schieben Sie das Innenrohr der Armlehne (9) in der Halterung (46) nach oben/unten, bis die gewünschte Höhe erreicht ist. Stellen Sie sicher, dass die Löcher am Innen-/Außenrohr aufeinander ausgerichtet sind.
4. Ziehen Sie den Sternknopf (45) wieder fest, indem Sie ihn im Uhrzeigersinn drehen.



Abbildung 6 Einstellen der Armlehnenhöhe

5. Wiederholen Sie dies für die zweite Armlehne. Stellen Sie sicher, dass die Armlehnen fest sitzen.

3.4.2 Schiebegriff-/Schiebebügelhöhe

VORSICHT Verletzungsgefahr

Verwenden Sie immer die verfügbaren Einstelllöcher am Schiebegriff. Überschreiten Sie niemals die maximale Höheneinstellung.

Die Schiebegriffe (16) und der Schiebebügel (23) sind miteinander verbunden und können in 7 verschiedenen Höhenpositionen eingestellt werden:

1. Lösen und entfernen Sie die beiden Sternknäufe (31) an den Griffstützen.
2. Passen Sie die Höhe beider Schiebegriffe gleichzeitig an, indem Sie sie in den Stützen nach oben/unten verschieben. Stellen Sie sicher, dass die Löcher am Innen-/Außenrohr aufeinander ausgerichtet sind.
3. Setzen Sie die beiden Sternknäufe (31) in die Halterungen und die Einstelllöcher ein.
4. Drehen Sie die Sternknäufe im Uhrzeigersinn, bis sie handfest sind.
5. Stellen Sie sicher, dass die Schiebegriffe fest sitzen.



Abbildung 7 Schiebegriffhöhe einstellen

3.4.3 Beinstützenwinkel

1. Lösen Sie den Hebel (62) am Drehpunkt.
2. Stellen Sie den Winkel der Beinstütze durch Anheben/Absenken der Fußplatten (zwischen 100° und 190°) ein.
3. Ziehen Sie den Hebel (62) von Hand fest an.
4. Wiederholen Sie dies für die zweite Beinstütze. Stellen Sie sicher, dass beide Beinstützen fest sitzen.



Abbildung 8 Einstellung des Fußstützenwinkels

3.4.4 Kippkappenhöhe

1. Halten Sie die Federtaste (63) gedrückt.
2. Schieben Sie das Kippkappenrohr (64) in das Rahmenrohr hinein /heraus.
3. Lassen Sie die Federtaste los.
4. Wiederholen Sie dies für die zweite Kippkappe. Vergewissern Sie sich, dass beide Kippkappen fest sitzen.

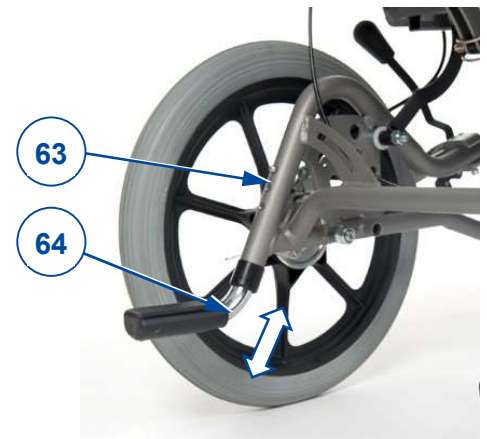


Abbildung 9 Einstellung der Kippkappenhöhe

3.5 Fahren

i Abhängig von Ihrem Gesundheitszustand und Ihrem Rollstuhl können Sie den Rollstuhl selbst fahren oder von einer Begleitperson schieben lassen.

 VORSICHT Klemmgefahr

- Verhindern Sie, dass Ihre Finger von den Radspeichen erfasst werden.
- Verhindern Sie das Einklemmen Ihrer Hände an den Greifringen, wenn Sie schmale Passagen passieren.
- Halten Sie Ihre Arme beim Fahren mit einer Begleitperson von den Rädern fern und die Füße auf den Fußplatten.

 VORSICHT Gefahr von Personen- oder Sachschäden

- Befahren Sie KEINE Böschungen, Hindernisse, Stufen oder Randsteine, die größer als vom Hersteller beschrieben sind (siehe technische Daten in Abschnitt 5).
- Begeben Sie sich mit Ihrem Rollstuhl nicht in den fließenden Verkehr. Bleiben Sie auf dem Fußweg.
- Fassen Sie die Greifringe nicht mit nassen Händen an.
- Achten Sie auf Löcher oder Spalten in der Straße, die für die Räder problematisch sein könnten.
- Vermeiden Sie Steine und andere Gegenstände, die die Räder blockieren könnten.
- Behalten Sie stets den Schwenkbereich der Fußstütze im Auge, um zu vermeiden, dass umstehende Personen verletzt oder Gegenstände beschädigt werden.
- Achten Sie vor jeder Benutzung auf Folgendes:
 - Alle Teile sind ordnungsgemäß gesichert (siehe Abschnitt 3.4).
 - Die Feststellbremsen funktionieren einwandfrei.
 - Reifen sind in gutem Zustand, siehe Abschnitt 4.

3.5.1 Mit einer Begleitperson fahren

1. Lösen Sie die Bremsen oder lassen Sie sie von der Begleitperson lösen, während Sie den Rollstuhl halten, um eine Bewegung zu verhindern, siehe Abschnitt 3.1 oder Abschnitt 3.2.
2. Die Begleitperson fasst die Handgriffe oder die Schieberstange an, um den Rollstuhl in die gewünschte Richtung zu schieben.
3. Betätigen Sie nach dem Anhalten die Bremsen, während Sie den Rollstuhl am Platz halten, siehe Abschnitt 3.1 oder Abschnitt 3.2.

3.5.2 Selbst fahren

1. Lösen Sie nacheinander die Feststellbremsen, siehe Abschnitt 3.1.
2. Bewegen Sie Ihre Hände an beiden Griffingen in die höchste Position.
3. Lehnen Sie sich nach vorne und drücken/drehen Sie die Griffinge nach vorne, bis Ihre Arme gerade sind.

4. Schwenken Sie die Arme locker zur Oberseite der Griffringe und wiederholen Sie die Schubbewegung.
5. Anhalten: Warten Sie, bis der Rollstuhl anhält, und bewegen Sie die Griffringe nach vorne/hinten. Ziehen Sie die Feststellbremsen einzeln an, siehe Abschnitt 3.1.

3.5.3 Auf Gefälle fahren

 **VORSICHT** Verletzungsgefahr

- Wenn die Begleitperson zu wenig Kraft hat, um den Rollstuhl zu steuern, stoppen Sie die Fahrt und bremsen Sie sofort.
 - Wenn Sie auf einer (kleinen) Steigung anhalten, betätigen Sie die Bremsen, da sich der Rollstuhl möglicherweise unerwartet in Bewegung setzt.
1. Sichern Sie sich im Rollstuhl mit einem Sicherheitsgurt.
 2. Bitten Sie einen Begleiter oder einen Zuschauer, Ihnen zu helfen.
 3. Fahren Sie langsam und geradeaus. Lehnen Sie sich leicht nach vorne (A/B), wenn Sie den Hang hinauffahren. Lehnen Sie sich nach hinten gegen die Rückenlehne, wenn Sie den Hang hinunter fahren.
 4. Wenden Sie niemals an einer Steigung.

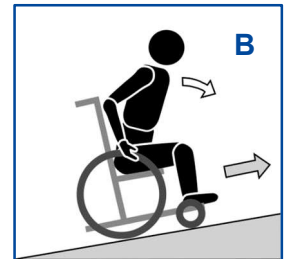


Abbildung 10 Einen Hang hinauffahren

3.5.4 Rampen verwenden

 **VORSICHT** Verletzungsgefahr durch Umkippen

- Verwenden Sie nur von Vermeiren zugelassene Rampen und überschreiten Sie nicht deren maximale Belastung.
 - Stellen Sie sicher, dass der Rollstuhl aufgrund seiner Neigung nicht den Boden oder die Rampe berührt.
 - Überwinden Sie Rampen nur mit Hilfe von ein oder zwei Begleitpersonen.
1. Passen Sie die Position der Rückenlehne, des Sitzes und der Fußstütze an, um die Größe des Rollstuhls zu verringern und die Stabilität während der Neigung zu erhöhen.
 2. Nehmen Sie die Fußstützen ab, siehe Abschnitt 2.4.5.
 3. Folgen Sie den Anweisungen in Abschnitt 3.5.3.

3.5.5 Treppen benutzen

 **VORSICHT** Verletzungsgefahr durch Umkippen

- Treppen sollten immer mit Hilfe von zwei Begleitpersonen bewältigt werden.
- Versuchen Sie niemals Treppen zu benutzen, die nicht für Rollstühle geeignet sind.

Um die Treppe zu benutzen, während Sie in Ihrem Rollstuhl sitzen, sollten Sie die folgenden Anweisungen befolgen:

1. Entfernen Sie die Fußstützen, siehe Kapitel 2.4.5 .
2. Eine Begleitperson kippt den Rollstuhl an den Griffen leicht nach hinten.
3. Die zweite Begleitperson greift den Rollstuhl vorne am Rahmen, auf beiden Seiten des Rollstuhls.
4. Bleiben Sie ruhig, vermeiden Sie plötzliche Bewegungen und halten Sie die Arme im Rollstuhl.
5. Beide Betreuer heben und ziehen den Rollstuhl von Stufe zu Stufe, während die Hinterräder über die Stufen rollen.
6. Montieren Sie die Fußstützen wieder nach dem Treppensteigen, siehe Abschnitt 2.4.4.



Abbildung 11 Treppen benutzen

3.5.6 Umgang mit Hindernissen

 **VORSICHT** Verletzungsgefahr durch Umkippen

- Bitten Sie immer um Hilfe von einer oder zwei Begleitpersonen.
- Stellen Sie sicher, dass die Fußplatten nicht den Boden berühren, wenn Sie ein Hindernis nehmen. Entfernen Sie gegebenenfalls die Fußstützen.
- Verwenden Sie Ihren Rollstuhl nicht auf einer Rolltreppe.
- Falls vorhanden, tragen Sie Ihren Sicherheitsgurt.

Kleine Bordsteine (nach oben oder unten)

Diese können mit einer Begleitperson vorwärts genommen werden (E/F):

1. Die Begleitperson bewegt den Rollstuhl vorwärts und nähert sich dem Bordstein. Stellen Sie sicher, dass die Fußplatten die Bordsteine nicht berühren.
2. Lehnen Sie sich nach hinten, um den Druck auf die Vorderräder zu reduzieren.
3. Die Begleitperson hält die Griffe fest, während sie sich vorwärts bewegt. Bei Bedarf verwendet sie die Kippkappen, um die Vorderräder anzuheben, bis sie die Bordsteinkante passiert haben.
4. Die Begleitperson löst den Druck auf die Griffe und die Kippkappe, um die Vorderräder sanft auf den Boden zu legen.
5. Als nächstes hält sie die Griffe fest, während sie den Rollstuhl mit den Hinterrädern nach oben/unten schiebt.

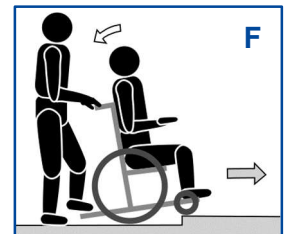


Abbildung 12 Bewältigung kleiner Bordsteine mit einem Begleiter

Mittlere Bordsteine (nach oben oder unten)

Diese sollten mit einer Begleitperson rückwärts genommen werden:

1. Die Begleitperson wendet den Rollstuhl so um, dass sich die Hinterräder zuerst dem Bordstein nähern (G/H).
2. Abstieg: Lehnen Sie sich nach vorne (G), um Ihren Schwerpunkt nach vorne zu bewegen.
Aufstieg: Lehnen Sie sich nach hinten (H), um Ihren Schwerpunkt nach hinten zu bewegen.
3. Die Begleitperson zieht den Rollstuhl sanft von der/auf die Bordsteinkante.



Abbildung 13 Mittlere Bordsteine mit einer Begleitperson bewältigen

Höhere Bordsteine

Höhere Bordsteine, aber unter der Maximalgröße, siehe Abschnitt 5, sollten mit Hilfe von zwei Begleitpersonen genommen werden

Abstieg:

1. Entfernen Sie die Fußstützen.
2. Die Begleitperson bewegt den Rollstuhl vorwärts und nähert sich dem Bordstein.
3. Lehnen Sie sich nach hinten, um den Druck auf die Vorderräder zu reduzieren.
4. Die Begleitperson hält die Griffe fest und hält die Vorderräder mit der Kippkappe hoch, bis sie die Bordsteinkante passiert haben.
5. Die zweite Begleitperson greift die Vorderseite des Rahmens und bewegt sich rückwärts, während sie die Hinterräder über den Bordstein herunter zieht.
6. Die erste Begleitperson löst den Druck auf die Griffe und die Kippkappe, um die Vorderräder auf den Boden zu stellen.

Aufstieg:

1. Entfernen Sie die Fußstützen.
2. Die erste Begleitperson wendet den Rollstuhl, so dass sich die Hinterräder zuerst dem Bordstein nähern.
3. Lehnen Sie sich nach hinten, um Ihren Schwerpunkt nach hinten zu bewegen.
4. Die zweite Begleitperson greift die Vorderseite des Rahmens und bewegt sich vorwärts, während die Hinterräder an den Bordstein gezogen/gedrückt werden. Die erste Begleitperson hebt an und hält die Griffe fest, um ein Umkippen des Rollstuhls zu verhindern.

3.6 Benutzung des Bedienteils

 **VORSICHT** Gefahr von Personen- oder Sachschäden

- Nur ein fähiger Benutzer oder sein autorisiertes und geschultes Personal darf das Mobilteil bedienen.
- Denken Sie daran, dass sich die Stabilität verringert, wenn die Sitzposition im Rollstuhl von aufrecht zu geneigt verändert wird.

 **VORSICHT** Beschädigungsgefahr

- Achten Sie darauf, dass genügend Platz um den Rollstuhl herum vorhanden ist, um Rückenlehne und Sitz zu verstellen.
- Stellen Sie sicher, dass keine Gegenstände zwischen den sich bewegenden Teilen eingeklemmt werden.

Der Rollstuhl wird mit einem Bedienteil geliefert, um die beweglichen Teile zu bedienen. Verwenden Sie dieses wie folgt:

1. Betätigen Sie die Feststellbremsen (siehe Abschnitt 3.1).
2. Schließen sie das Netzkabel an einer Steckdose mit 220/230 V Wechselstrom an.
3. Warten Sie mindestens 15 Sekunden. Die Kontrollleuchte (e) leuchtet auf.
4. Halten Sie zum Bedienen eine der Tasten (a - d) gedrückt.
5. Lassen Sie die Taste los, um die Bewegung zu stoppen.

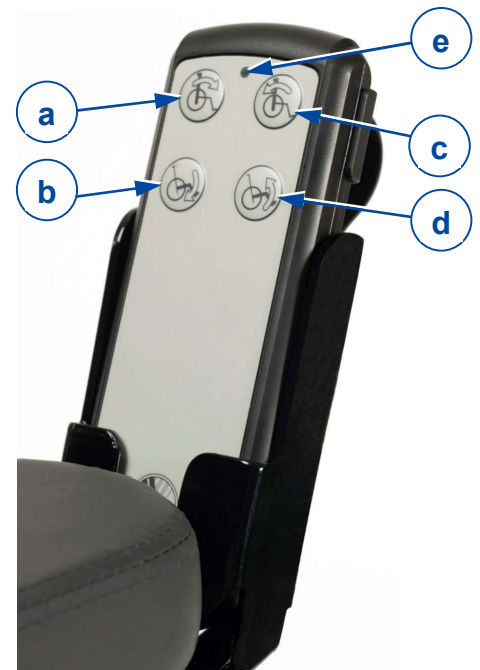


Abbildung 14 Mobilteil im Mobilteilhalter

Bedientasten:

- (a) Rückenlehne - Anheben in aufrechte Sitzposition
- (b) Sitz - Absenken in Sitzposition
- (c) Rückenlehne - Absenken in die liegende Position
- (d) Sitz - Anheben in die liegende Position

Weitere Informationen zu den Neigungswinkeln von Rückenlehne und Sitz finden Sie in Abschnitt 5.

3.7 Akkustatus und Aufladung

 **WARNUNG** Gefahr von Personen- und Sachschäden durch Feuer

- Benutzen Sie ausschließlich das zum Lieferumfang des Rollstuhls gehörende Netzteil. Die Verwendung eines anderen Netzteils kann gefährlich sein (Brandgefahr).
- Das Netzteil dient nur zum Aufladen des mit dem Rollstuhl gelieferten Akkus und nicht zum Laden anderer Akkus.

- Nehmen Sie keine Veränderungen an mitgelieferten Teilen wie Kabel, Stecker oder dem Netzgerät vor. Öffnen Sie niemals den Akku oder wechseln Sie nie die Anschlusspunkte.
- Schützen Sie den Akku und das Netzteil vor Flammen, hohen Temperaturen (> 45 °C), Feuchtigkeit, Sonneneinstrahlung und starken Erschütterungen (z. B. Herunterfallen). Verwenden Sie den Akku NICHT, wenn er diesen Bedingungen ausgesetzt ist.
- Laden Sie den Akku mit dem Netzteil in einem gut belüfteten Innenbereich außerhalb der Reichweite von Kindern. Verwenden Sie zum Laden keine Steckerleiste oder Verlängerungskabel.

⚠ VORSICHT Beschädigungsgefahr

- Read Lesen Sie die Lagerungs- und Wartungsanweisungen in Abschnitt 4.1 und die technischen Details in Abschnitt 5.
- Entladen Sie den Akku niemals vollständig.
- Unterbrechen Sie den Ladezyklus nicht und trennen Sie das Ladegerät erst ab, wenn der Akku vollständig aufgeladen ist.
- Die Lebensdauer verkürzt sich, wenn der Akku längere Zeit extremer Kälte ausgesetzt wird.
- Halten Sie die Anschlusskontakte des Ladegeräts frei von Staub und anderen Verunreinigungen.
- Verwenden Sie das Netzteil direkt an der Steckdose (ohne Zeitschaltuhr).
- Sollte sich der Akku nicht gemäß den nachstehenden Anweisungen aufladen lassen, wenden Sie sich bitte an Ihren Fachhändler.
- Aufgrund von Ruhestrom entlädt sich der Akku, wenn der Rollstuhl längere Zeit nicht benutzt wird. Wir empfehlen Ihnen daher, den Akku regelmäßig zu laden.

3.7.1 Akkustatus:

Die Kontrollleuchte (65) am Akkugehäuse zeigt den Status der Akkukapazität gemäß den Signalcodes in Tabelle 1 an.



Abbildung 15 Batterieposition im Rollstuhl

Tabelle 1: Akku-Anzeige-code

Anzeige-code	Bedeutung
GRÜN, ständig EIN	Der Akku ist an die Stromversorgung angeschlossen und lädt normal (Akkukapazität zwischen 70 und 100 %). <ul style="list-style-type: none"> • Lassen Sie den Akku so lange an der Stromversorgung angeschlossen, bis er vollständig aufgeladen ist.
GRÜN, schnell blinkend; 1 Sekunde EIN, 1 Sekunde AUS	Der Akku ist an die Stromversorgung angeschlossen und lädt normal (Akkukapazität unter 70 %). <ul style="list-style-type: none"> • Lassen Sie den Akku so lange an der Stromversorgung angeschlossen, bis er vollständig aufgeladen ist.
GRÜN, langsam blinkend; 0,5 Sekunden EIN, 4 Sekunden AUS	Normale Entladung der Batterie (Batteriekapazität zwischen 25 und 100 %)

DE

ORANGE, blinkend; 0,5 Sekunden EIN, 4 Sekunden AUS	langsam	Akku muss aufgeladen werden (Batteriekapazität unter 25 %). <ul style="list-style-type: none"> • Akku laden.
ORANGE, ständig EIN		Zeigt einen Fehler an. Möglicherweise ist der Akku abgeklemmt oder es liegt ein elektrisches Problem vor. <ul style="list-style-type: none"> • Wenden Sie sich an Ihren Fachhändler, um Unterstützung oder Ersatz zu erhalten.
Leuchtanzeige ständig AUS		Der Batterieschutz ist aktiviert und der Betrieb ist gesperrt/gestoppt, wenn: <ul style="list-style-type: none"> o Der Überstrom besteht für mehr als 10 Sekunden o Niedrige Spannung kann zu einer Überladung führen. Dies ist der Fall, wenn die Batteriekapazität unter 20 % fällt. <ul style="list-style-type: none"> • Akku laden.

3.7.2 Akku laden

So laden Sie den Akku auf:

1. ZUERST verbinden Sie das Netzteil mit einer 230-VAC-Steckdose. Die Anzeige (66) leuchtet (Grün), um anzuzeigen, dass das Netzteil mit Strom versorgt wird. Wenn nicht, verwenden Sie das Netzteil nicht und wenden Sie sich an Ihren Fachhändler.
2. Stecken Sie den Netzteilstecker (67) in die Buchse (68) des Ladepunkts, siehe Abbildung Abbildung 16. Stellen Sie sicher, dass die Aussparung des Steckers über den hervorstehenden Teil in der Buchse gleitet.
3. Warten Sie, bis die Akkuanzeige (66) grün leuchtet (Kapazität über 70 %), und laden Sie den Akku während der nächsten 10 Stunden weiter.
4. Trennen des Netzgeräts
5. Ziehen Sie das Netzgerät von der Steckdose ab, lassen Sie es abkühlen, und lagern Sie es dann in der Schutzhülle.



Abbildung 16 Ort des Verbindungspunkts

i Je nach dem Zustand des Akkus muss der Akku für mindestens 10 Stunden und mehr als 24 Stunden aufgeladen werden, wenn die Kapazität unter 25 % liegt. Längeres Laden schadet dem Akku nicht.
Der Ladevorgang kann jederzeit angehalten oder gestartet werden, indem Sie die obigen Anweisungen befolgen.

4 Wartung

Obwohl Ihr Rollstuhl nur minimalen Wartungsaufwand erfordert, ist es dennoch ratsam, ihn regelmäßig zu inspizieren, um einen störungsfreien Betrieb für viele Jahre sicherzustellen.

4.1 Wartungspunkte

 **VORSICHT** Gefahr von Personen- oder Sachschäden

Reparaturen und Erneuerungen dürfen nur von geschultem Personal und mit Original-Ersatzteilen von Vermeiren durchgeführt werden.

i Auf der letzten Seite dieses Handbuchs befindet sich ein Registrierungsformular, auf dem der Fachhändler jeden Service dokumentieren kann.

Die Wartungshäufigkeit hängt von der Häufigkeit und Intensität der Nutzung ab. Wenden Sie sich an Ihren Händler, um einen allgemeinen Zeitplan für Inspektion/Wartung/Reparatur zu vereinbaren.

Vor jeder Benutzung

Kontrollieren Sie folgende Punkte:

- Alle Komponenten: Vorhanden und nicht beschädigt oder verschlissen.
- Alle Komponenten: Sauber (siehe Abschnitt 4.2.2).
- Räder, Sitz, Beinstützen, Armlehnen, Fußstützen, Fußplatten und Kopfstützen (falls zutreffend): Korrekt gesichert.
- Akkustatus: Laden Sie den Akku ggf. auf (siehe Abschnitt 3.7).
- Handset, Batterie, Anschlussdose, Motor, Netzteil und relevante Kabel: Schäden wie durchgescheuerte, gebrochene oder freiliegende Kabel
- Zustand der Räder/Reifen (siehe Abschnitt 4.2.1).
- Zustand der Bremsen siehe Abschnitt 4.2.1.
- Zustand des Rahmens: Keine Verformung, Instabilität, Schwäche oder lose Verbindungen
- Sitz, Rückenlehne, Armpolster, Beinpolster und Kopfstütze (falls vorhanden): Kein übermäßiger Verschleiß (wie Einstellungen, Beschädigungen oder Risse)

Wenden Sie sich wegen etwaiger Reparaturen oder Ersatzteile an Ihren Fachhändler.

Alle sechs Monate

Wenn Ihr Rollstuhl längere Zeit gelagert wird, müssen der Akku alle 6 Monate mindestens 24 Stunden lang aufgeladen werden. Weitere Informationen finden Sie in Kapitel 3.5.

Jährlich oder öfter

Lassen Sie Ihren Rollstuhl mindestens einmal pro Jahr oder öfter von Ihrem Fachhändler überprüfen und warten. Die minimale Wartungshäufigkeit ist von der Benutzung abhängig und sollte daher zusammen mit Ihrem Fachhändler abgesprachen werden.

Bei Lagerung

Achten Sie darauf, dass Ihr Rollstuhl trocken untergebracht ist, um zu verhindern, dass sich Schimmel bildet und die Polsterung beschädigt wird.

4.2 Wartungshinweise

4.2.1 Räder und Reifen

i Die korrekte Funktionsweise der Bremsen ist vom Zustand der Reifen abhängig und kann sich infolge von Verschleiß und Verunreinigung (Wasser, Öl, Matsch usw.) verändern.

- Halten Sie Ihre Räder frei von Drähten, Haaren, Sand und Fasern.
- Überprüfen Sie das Profil der Reifen. Wenn die Profiltiefe weniger als 1 mm beträgt, müssen die Reifen ausgetauscht werden. Wenden Sie sich hierzu an Ihren Fachhändler.

4.2.2 Reinigung

 VORSICHT Beschädigungsgefahr durch Feuchtigkeit

- Halten Sie den Bedienteil sauber und schützen Sie es vor Wasser und Regen.
- Benutzen Sie keinesfalls einen Wasserschlauch oder Hochdruckreiniger, um den Rollstuhl zu reinigen.

Wischen Sie alle festen Teile des Rollstuhls mit einem feuchten (nicht durchnässten) Tuch ab. Benutzen Sie ggf. eine milde Seife, die für Lacke und Kunststoffe geeignet ist. Die Polsterung kann mit lauwarmem Wasser und einer milden Seife gereinigt werden. Verwenden Sie keine scheuernden Reinigungsmittel.

4.2.3 Desinfektion

 VORSICHT Beschädigungsgefahr

Eine Desinfektion darf nur von dafür geschultem Personal durchgeführt werden. Wenden Sie sich hierfür an Ihren Fachhändler.

4.3 Störungsbeseitigung

Auch bei ordnungsgemäßer Benutzung Ihres Rollstuhls kann ein technisches Problem auftreten. In diesem Fall wenden Sie sich bitte an Ihren Fachhändler.

 WARNUNG Gefahr von Verletzungen und Schäden am Rollstuhl.

- Versuchen Sie KEINESFALLS, Ihren Rollstuhl selbst zu reparieren.

Die nachstehend genannten Symptome können auf ein ernsthaftes Problem hindeuten. Sie sollten sich daher stets an Ihren Fachhändler wenden, wenn eine der folgenden Situationen eintritt:

- Ungewöhnliche Geräusche
- Durchgescheuerte/beschädigte Verkabelung
- Gerissene oder gebrochene Steckverbinder
- Der Rollstuhl wird mit Strom versorgt, aber die Bedienung des Bedienteils führt zu keinem Ergebnis, siehe Abschnitt 3.7.

4.4 Voraussichtliche Nutzungsdauer

Die durchschnittliche Nutzungsdauer Ihres Rollstuhls beträgt 5 Jahre. Je nach Nutzungshäufigkeit, Betriebsbedingungen und Wartung kann die Nutzungsdauer Ihres Rollstuhls länger oder kürzer sein.

4.5 Nutzungsende

Am Ende seiner Nutzungsdauer muss Ihr Rollstuhl gemäß den geltenden Umweltvorschriften entsorgt werden. Dazu wird er im besten Fall zerlegt, um den Transport wiederverwertbarer Teile zu erleichtern.

5 Technische Daten

Die nachstehenden technischen Daten gelten für diesen Rollstuhl nur bei Standardeinstellungen und optimalen Umgebungsbedingungen. Berücksichtigen Sie diese Details bei der Benutzung. Die Werte gelten nicht mehr, falls Ihr Rollstuhl modifiziert wurde, beschädigt ist oder starke Verschleißerscheinungen aufweist.

Tabelle 2: Technische Daten

Marke	Vermeiren	
Typ	Rollstuhl	
Modell	Inovys II-E	
Beschreibung	Abmessungen bei allen Konfigurationen	
Max. Benutzergewicht	135 kg	
Statische Stabilität bergab	10° **	
Statische Stabilität bergauf	15° **	
Statische Stabilität seitlich	12° **	
Hindernis-Überwindung	60 mm	
Beschreibung	Min.	Max.
Gesamtlänge mit Fußplatte (je nach Sitztiefeinstellung)	1050 mm	1090 mm
Länge zerlegt mit Fußplatte (je nach Sitztiefeinstellung)	830 mm	870 mm
Gesamthöhe (ohne Kopfstütze)	990 mm	1060 mm
Höhe zerlegt (mit gefalteter Rückenlehne, ohne Armlehnen)	710 mm	780 mm
Sitzflächenwinkel,	0°	+21°
Effektive Sitztiefe	460 mm	520 mm
Sitzflächenhöhe an der Vorderkante (mit Polster)	460 mm	530 mm
Rückenlehnenwinkel	0°	+54°
Rückenlehnenhöhe	550 mm	585 mm
Abstand zwischen Fußstütze und Sitz	400 mm	570 mm *
Winkel der Fußplatte	80°	100°
Winkel zwischen Sitz und Fußstütze	104°	194°
Abstand zwischen Armablage und Sitz	220 mm	320 mm
Vordere Position der Armlehnenstruktur	460 mm	490 mm
Beschreibung	Abmessungen pro Konfiguration	
Durchmesser der Hinterräder	16" (T30) Mit Trommelbremsen	24 Zoll
Greifringdurchmesser	NZ	535 mm
Effektive Sitzbreite	400 mm	500 mm
Gesamtbreite (abhängig von der Sitzbreite)	630 mm	730 mm
Breite zerlegt (ohne Armlehne)	600 mm	700 mm
Fußplattenbreite (Minimum- Maximum)	44-46 mm	48-50 mm
Durchmesser der Lenkräder	200 mm	200 mm
Horizontale Lage der Achse (Durchbiegung)	-8 mm - 41 mm	-4 mm - 42 mm
Gesamtgewicht	41,7 kg	40,9 kg

Gewicht der schwersten Teile	27,1 kg	22,9 kg
Gewicht der abnehmbaren Teile		
Fußstützen	4,80 kg	4,80 kg
Armstützen	3,8 kg	3,8 kg
Hinterräder	NZ	3,6 kg
Rückenlehne	3,6 kg	3,6 kg
Akku	2,2 kg	2,2 kg
Wendekreis (Durchmesser)	1520 mm	1620 mm
Beschreibung	Spezifikation für alle Konfigurationen	
Festigkeitsprüfung gemäß	ISO 7176-8	
Entzündbarkeit der Polsterung gemäß	ISO 7176-16	
EMV-Veträglichkeit	ISO 7176-21/EN 61000-3-2 und EN 61000-3-3	
Netzteil/Transformator	Eingang: 220-240 V AC, 50/60 Hz Max. Ausgang: 29V DC, 2,5A Schutzklasse: IP66 Arbeitszyklus: 2 min EIN/18 min AUS	
Akku	Kapazität: 1,2 Ah Eingang: 29~45 V DC Ausgang: 24 V DC, 1,2 A Schutzklasse: IP66 Arbeitszyklus: 10 % (2 min. EIN/18 min. AUS)	
Motor (2x)	Kapazität: 1500 N Motordrehzahl: 2200RPM 2200 U/min, Umax 24 V DC; I _{max} 2,2 A Schutzklasse: IP66, Arbeitszyklus: 10 % (Max.2 min. EIN/18 min. AUS)	
Bedienteil	Schutzklasse: IP66	
Betriebs- und Lagertemperatur (Akku)	+5 °C ~ +45 °C	
Feuchtigkeit bei der Lagerung und im Betrieb	30 % ~ 70 %	
Technische Änderungen behalten wir uns vor. Messtoleranz ± 15 mm/1,5 kg /1,5° (*) Verstellen Sie die Fußstütze nicht in der maximalen Länge, um zu verhindern, dass die Fußplatte den Boden berührt. (**) In der Standardkonfiguration getestet NZ = nicht zutreffend		

Sommaro

Premessa	2
1 Il prodotto	3
1.1 Descrizione	3
1.2 Accessori	4
2 Prima dell'uso	5
2.1 Uso previsto	5
2.2 Istruzioni generali di sicurezza	5
2.3 Simboli presenti sulla carrozzina.....	5
2.4 Trasporto e (s)montaggio.....	6
2.5 Primo utilizzo e magazzinaggio	11
3 Uso della carrozzina	12
3.1 Freni di parcheggio (solo per le ruote da 22"/24").....	12
3.2 Freni a tamburo (solo per le ruote fisse da 16").....	12
3.3 Trasferimento alla/dalla carrozzina	13
3.4 Regolazioni per il comfort	13
3.5 Spostamenti.....	15
3.6 Uso del telecomando	18
3.7 Stato e ricarica della batteria	19
4 Manutenzione	22
4.1 Punti di manutenzione	22
4.2 Istruzioni per la manutenzione	22
4.3 Soluzione dei problemi di funzionamento	23
4.4 Durata prevista.....	23
4.5 Fine vita	23
5 Specifiche tecniche	24

Premessa

IT

Congratulazioni! Ora possiede una carrozzina Vermeiren!

Questa carrozzina è realizzata da personale qualificato e competente. Essa è progettata e prodotta secondo gli elevati standard di qualità garantiti da Vermeiren.

Grazie per la fiducia accordata ai prodotti Vermeiren. Questo manuale viene fornito come supporto per l'uso della carrozzina e delle sue opzioni operative. Leggerlo attentamente, in quanto aiuta a familiarizzarsi con il funzionamento, le prestazioni e le limitazioni della carrozzina.

Per eventuali ulteriori domande successive alla lettura di questo manuale, rivolgersi al proprio rivenditore specializzato, che sarà lieto di fornire un supporto.

Nota importante

Per garantire la propria sicurezza e prolungare la durata del prodotto, trattarlo con cura e farlo controllare e/o sottoporlo a manutenzione con regolarità.

La garanzia del prodotto presuppone un uso e una manutenzione normali del medesimo, come descritti in questo manuale. I danni al prodotto dovuti a uso improprio o manutenzione carente causano la decadenza della garanzia.

Questo manuale rispecchia gli sviluppi più recenti del prodotto. Vermeiren si riserva il diritto di introdurre modifiche di questo tipo di prodotto senza alcun obbligo di adattare o sostituire i prodotti analoghi consegnati in precedenza.

Le immagini del prodotto vengono utilizzate per chiarire le istruzioni contenute nel manuale. I dettagli del prodotto raffigurato possono essere diversi da quelli del prodotto in uso.

Informazioni disponibili

Sul sito Web di Vermeiren, all'indirizzo <http://www.vermeiren.com/>, è sempre disponibile la versione più recente delle informazioni contenute in questo manuale. Visitare con regolarità tale sito per verificare l'esistenza di eventuali aggiornamenti.

Le persone ipovedenti possono scaricare la versione elettronica di questo manuale e farlo leggere da un software applicativo di sintesi vocale.



Manuale di istruzioni
Per l'utente e il rivenditore specializzato



Manuale di installazione
Per il rivenditore specializzato



Manuale di assistenza per le carrozzine
Per il rivenditore specializzato

1 Il prodotto

1.1 Descrizione

IT

Questa carrozzina Inovys II-E è facile da utilizzare sia al coperto, sia all'aperto. Essendo ripiegabile, essa risulta molto compatta da riporre. La carrozzina è disponibile in varie misure; per migliorare il comfort dell'utente, è inoltre possibile espanderla facilmente con componenti opzionali.

L'immagine riportata di seguito mostra tutti i componenti di rilievo per l'utente. La sezione di uso e manutenzione descrive tali componenti, se applicabili.

i Prima di utilizzare la carrozzina, verificare le informazioni tecniche di dettaglio e i limiti relativi all'uso previsto, facendo riferimento al capitolo 5.



Figura 1 **Componenti importanti**

- | | | |
|-------------------------------|-------------------------------|---|
| 1. Poggiatesta (opzionale) | 7. Cinghia fermapièdi (2x) | 13. Ruota posteriore (2x) |
| 2. Schienale | 8. Appoggio per le gambe (2x) | 14. Corrimano (2x) |
| 3. Imbottitura dei braccioli | 9. Bracciolo (2x) | 15. Maniglia di spinta con impugnatura (2x) |
| 4. Telecomando | 10. Freni (2x) | 16. Supporto poggiatesta (opzionale) |
| 5. Appoggio per le gambe (2x) | 11. Ruota anteriore (2x) | |
| 6. Pedana (2x) | 12. Telaio | |



Figura 2 **Componenti importanti, segue**

1.2 Accessori

Per il modello Inovys II-E sono disponibili i seguenti accessori:

- Tavolino in legno (B12)
- Poggiatesta (L55 e L58)
- Cintura di sicurezza personale (B58)
- Cuneo orizzontale (B22)
- Braccioli per emiplegici (B66)

Per maggiori informazioni, consultare il proprio rivenditore specializzato.

2 Prima dell'uso

2.1 Uso previsto

IT

Questo paragrafo fornisce una breve descrizione dell'uso previsto della carrozzina. Gli altri paragrafi aggiungono inoltre alle istruzioni ulteriori avvertenze di rilievo. Vermeiren desidera in tal modo portare all'attenzione dell'utente gli eventuali usi errati che possono presentarsi.

- Questa carrozzina è adatta per l'uso al coperto e all'aperto.
- Essa è progettata e realizzata esclusivamente per il trasporto di una (1) persona di peso non superiore a 135 kg. Essa non è viceversa progettata per il trasporto di merci od oggetti, né per qualunque uso diverso da quello descritto in precedenza.
- A seconda del tipo di ruote montato, la carrozzina può essere azionata da un assistente o dall'utente seduto sulla stessa. **NON** utilizzare la carrozzina senza assistenza se si soffre di disabilità fisiche o mentali in grado di mettere in pericolo sé o altri durante l'uso. Consultare pertanto anzitutto il proprio medico e avere cura di trasmettere il suo parere al proprio rivenditore specializzato.
- Questa carrozzina non è destinata all'uso come sedile in un veicolo a motore.
- Utilizzare esclusivamente accessori e ricambi approvati da Vermeiren.

Leggere tutte le informazioni tecniche di dettaglio e le limitazioni della carrozzina riportate nel § 7.

2.2 Istruzioni generali di sicurezza

 **ATTENZIONE** Rischio di lesioni e/o danni

Leggere e osservare le istruzioni contenute in questo manuale. In caso contrario, è possibile ferirsi o danneggiare la carrozzina.

Durante l'uso, tenere presenti le seguenti avvertenze generali:

- Non utilizzare la carrozzina se si è sotto l'effetto di alcool, farmaci o altre sostanze in grado di influire sulle proprie capacità di manovra. Ciò vale anche per l'eventuale assistente incaricato di azionare la carrozzina.
- Non dimenticare che alcune parti della carrozzina possono diventare molto calde o fredde a causa della temperatura ambiente, della radiazione solare o di dispositivi di riscaldamento. Prestare attenzione quando si tocca la console. In condizioni climatiche fredde, indossare indumenti protettivi. In caso di uso all'aperto, è possibile utilizzare guanti da equitazione per migliorare la presa sui corrimani.
- Prendere nota delle istruzioni per la cura e la manutenzione. Il produttore declina ogni responsabilità per danni dovuti a errori di manutenzione/cura.

2.3 Simboli presenti sulla carrozzina






Sulla carrozzina sono applicati i simboli elencati di seguito. I simboli sono riportati nella norma ISO pertinente (ISO 7000, ISO 7001 e IEC 417).



Peso massimo dell'utente, in kg



Uso all'aperto / al coperto (batteria e adattatore di alimentazione esclusi)

	Solo per uso al coperto (batteria e adattatore di alimentazione)
	Pendenza massima di sicurezza, in ° (gradi).
	Velocità massima
	Non destinata all'uso come sedile in un veicolo a motore
	Indicazione del modello

2.4 Trasporto e (s)montaggio

2.4.1 Spostamento

Spostare la carrozzina nei punti desiderati utilizzando le sue ruote.

Se ciò non è possibile, e non si desidera smontare la carrozzina, chiedere aiuto per sollevarla. Afferrare saldamente il telaio con entrambe le mani e sollevare la carrozzina dal pavimento. Non afferrare la carrozzina dai poggiapiedi, dai braccioli o dalle ruote.

2.4.2 Trasporto in aereo

La carrozzina è dotata di una batteria agli acidi di piombo, che non consente di trasportarla in aereo (come un corpo unico). Nel valutare tale opzione, prima di prenotare il volo consultare la compagnia aerea prescelta. È inoltre possibile rimuovere la batteria e acquistarne una nuova all'arrivo. Per informazioni, rivolgersi al proprio concessionario autorizzato.

2.4.3 Trasporto mediante un veicolo

 **AVVERTENZA** Rischio di lesioni

- NON utilizzare la carrozzina come sedile in un veicolo; vedere il simbolo.
- Non utilizzare la stessa cintura di sicurezza per passeggero e carrozzina.



1. Utilizzare il telecomando per riportare la carrozzina nella posizione di seduta; vedere il § 3.6.
2. Smontare la carrozzina, quindi sollevarla e introdurla nel veicolo attenendosi alle istruzioni fornite nel § 2.4.4.
3. Riporre la carrozzina e i suoi componenti nel bagagliaio. Se il bagagliaio e l'abitacolo NON sono separati o chiusi, assicurare saldamente il telaio della carrozzina al veicolo.

i È possibile utilizzare una rampa per spingere la carrozzina all'interno del veicolo; vedere il § 3.5.4.

Una volta caricata la carrozzina, inserire i suoi freni di parcheggio; vedere il § 3.1.

2.4.4 Montaggio

 **ATTENZIONE** Rischio di lesioni o di danni

- Avere cura di evitare che dita, indumenti e fibbie rimangano intrappolati durante il montaggio.
- Tenere sempre conto del raggio di rotazione del poggiapiedi, per evitare di causare lesioni alle persone o danni materiali.
- Prima dell'uso, verificare sempre che tutti i componenti montati siano fissati saldamente.



Figura 3 *Inovys II-E: telaio base con ruote da 16" e 24", componenti smontati*



[1]

- Appoggiare le quattro ruote della carrozzina al suolo.
- Aprire il telaio (34) dello schienale.



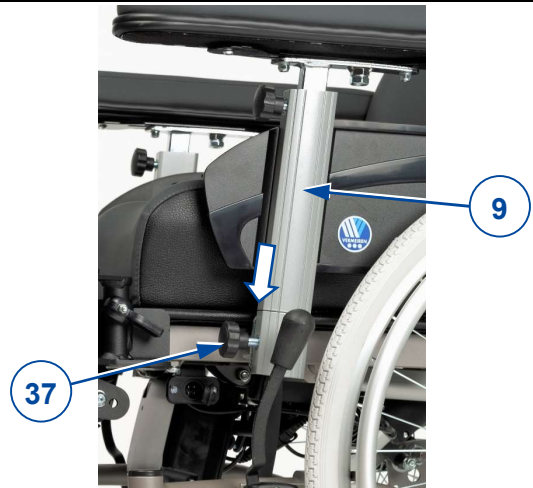
[2]

- Montare il lato anteriore del motore elettrico sul telaio dello schienale servendosi del perno di fissaggio (33), quindi bloccarne il fermo.
- Accertarsi che il telaio dello schienale sia fissato saldamente al motore elettrico.



[3]

- Servendosi delle sue quattro viti, fissare lo schienale alle quattro staffe (35) del suo telaio.
- Serrare manualmente le due manopole a stella superiori (36).
- Accertarsi che lo schienale sia fissato saldamente.



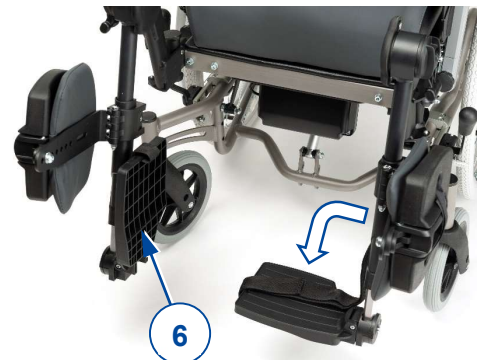
[4]

- Ruotare in senso antiorario la manopola a stella (37) del supporto del bracciolo e rimuoverla.
- Inserire il bracciolo (9) nel suo supporto.
- Inserire la manopola a stella (37) e ruotarla in senso orario fino a serrarla manualmente.
- Accertarsi che il bracciolo sia fissato saldamente.
- Ripetere l'operazione per il secondo bracciolo.



[5]

- Afferrare l'appoggio per le gambe (5) lateralmente e appenderlo al supporto (39) del poggiatesta. Accertarsi che il foro (44) dell'appoggio per le gambe si sovrapponga al componente di supporto inferiore, e che la spina (38) dell'appoggio per le gambe sia inserita nel supporto superiore.
- Ruotare l'appoggio per le gambe (5) verso l'interno, fino a quando si arresta con un clic nella posizione corretta.
- Ripetere l'operazione per il secondo appoggio per le gambe.



[6]

- Ruotare verso il basso la pedana (6).
- Ripetere l'operazione per la seconda pedana.



[7]

- Ruotare verso l'interno il supporto (40) del poggia polpacci.
- Ruotare all'indietro il poggia polpacci (8).
- Ripetere l'operazione per il secondo poggia polpacci.



[8]

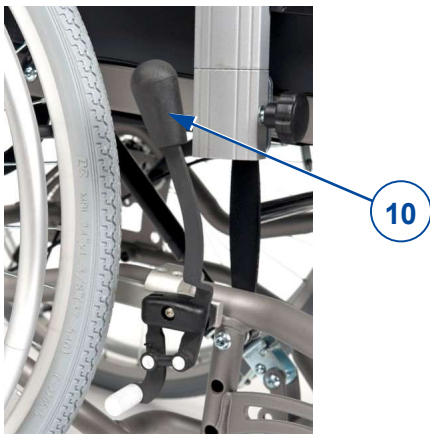
- Montare il poggiatesta (1) (se presente) con il tubo quadrato nell'apposito supporto (41) presente sullo schienale.
- Serrare manualmente la manopola a stella (42).

A questo punto la carrozzina è pronta per l'uso.

2.4.5 Smontaggio

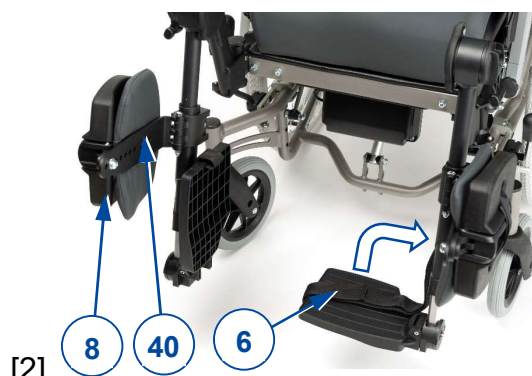
ATTENZIONE Rischio di lesioni o di danni

- Avere cura di evitare che dita, indumenti e fibbie rimangano intrappolati durante lo smontaggio.
- Tenere sempre conto del raggio di rotazione del poggia piedi, per evitare di causare lesioni alle persone o danni materiali.



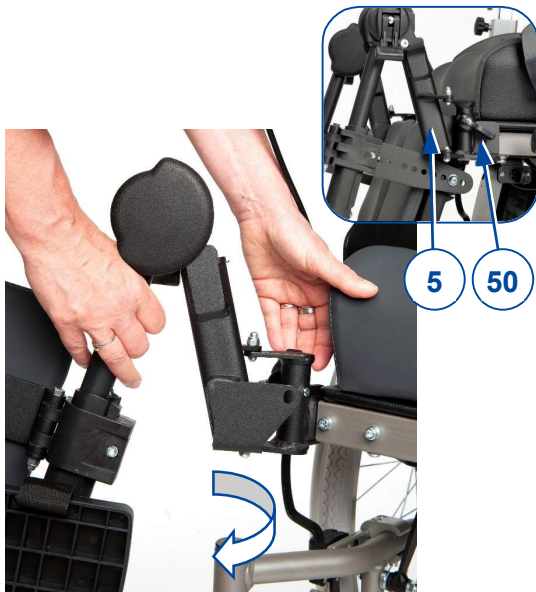
[1]

- Inserire entrambi i freni di parcheggio azionando la leva (10) del freno; vedere il § 3.1.



[2]

- Chiudere il poggia polpacci (8) e ruotare verso l'esterno il suo supporto (40).
- Ripetere l'operazione per l'altro poggia polpacci.
- Ripiegare verso l'alto entrambe le pedane (6).



[3]

- Tirare la leva (50) dell'appoggio per le gambe (5) e ruotarlo verso l'esterno.
- Sollevare e rimuovere l'appoggio per le gambe.
- Ripetere l'operazione per l'altro appoggio per le gambe.



[4]

- Ruotare la manopola a stella (37) in senso antiorario.
- Tirare e trattenere la manopola a stella sfilando allo stesso tempo il bracciolo (9) dal suo supporto.
- Serrare nuovamente la manopola a stella (37).



[5]

- Smontare il poggiatesta (1) (se presente):
 - Allentare e rimuovere la manopola a stella (42) del supporto del poggiatesta.
 - Tirare il poggiatesta verso l'alto, fino a quando è svincolato dal supporto presente sullo schienale.



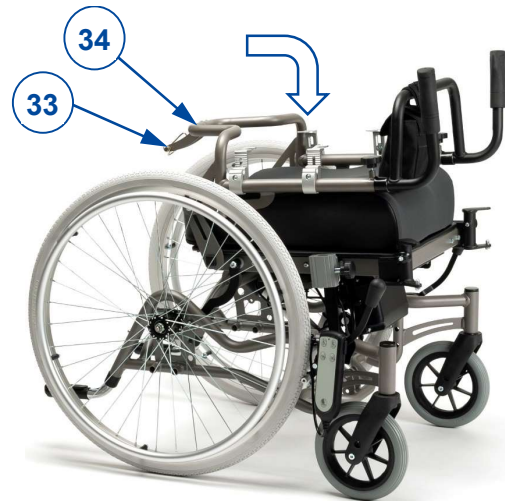
[6]

- Allentare manualmente le due manopole a stella superiori (36) dello schienale.
- Tirare lo schienale verso l'alto, fino a quando si sfilava dalle quattro staffe (35).



[7]

- Smontare il motore elettrico dal telaio dello schienale aprendo e rimuovendo il fermo del perno di fissaggio (33).



[8]

- Ripiegare verso il basso sul sedile il telaio (34) dello schienale.
- Reinsediare il perno di fissaggio (33) nel telaio.

2.4.6 (S)montaggio delle ruote posteriori (solo 22"/24"):

È possibile che per scopi di trasporto occorra (s)montare le ruote posteriori.

Rimozione delle ruote posteriori:

1. Tenere premuto il pulsante (43) sfilando allo stesso tempo l'assale della ruota dalla sua boccola.
2. Ripetere l'operazione per l'altra ruota e appoggiare delicatamente la carrozzina sui tappi di inclinazione.

Installazione delle ruote posteriori:

1. Prelevare una delle ruote posteriori e sollevare un lato della carrozzina.
2. Tenere premuto il pulsante (43) inserendo allo stesso tempo l'assale della ruota nella sua boccola.
3. Rilasciare il pulsante per bloccare la ruota.
4. Ripetere l'operazione per l'altra ruota. Accertarsi che entrambe le ruote siano fissate saldamente.



2.5 Primo utilizzo e magazzinaggio

**ATTENZIONE**

Rischio di danni alla batteria

- Non lasciare mai scaricare completamente le batterie.
- Non interrompere il ciclo di ricarica; scollegare il caricabatterie soltanto quando le batterie sono completamente cariche.
- Avere cura di immagazzinare la carrozzina in un luogo asciutto, per evitare la formazione di muffa e danni alla selleria.
- Verificare le informazioni tecniche di dettaglio per il magazzinaggio; vedere il capitolo 5.

Prima di utilizzare la carrozzina, accertarsi che tutti i collegamenti della batteria siano collegati e che le batterie siano state caricate completamente, verificando con il rivenditore se tale operazione è già stata effettuata o meno. Per la ricarica, attenersi alle relative istruzioni, riportate nel § 3.7.

3 Uso della carrozzina

IT

AVVERTENZA Rischio di lesioni

- Leggere anzitutto il capitolo precedente per familiarizzarsi con l'uso previsto. **NON** utilizzare la carrozzina senza avere letto e compreso a fondo tutte le istruzioni.
- In caso di dubbi o domande, non esitare a rivolgerti al proprio rivenditore specializzato di zona, al proprio fornitore di cure sanitarie o a un consulente tecnico per un aiuto.

3.1 Freni di parcheggio (solo per le ruote da 22"/24")

ATTENZIONE Rischio di lesioni

- Azionare la leva del freno soltanto quando la carrozzina è ferma.
- Se si hanno capacità motorie ridotte, la leva del freno deve essere azionata da un assistente.
- Prima di rilasciare i freni, accertarsi che la carrozzina si trovi su una superficie piana orizzontale.
- Non rilasciare mai entrambi i freni contemporaneamente.
- La regolazione dei freni deve essere eseguita esclusivamente da un rivenditore specializzato.

ATTENZIONE Rischio di danni

- Non utilizzare i freni di parcheggio per fare rallentare la carrozzina mentre è in movimento.

La carrozzina è dotata di due freni di parcheggio ad azionamento manuale. Tali freni sono studiati per evitare che la carrozzina si sposti mentre è parcheggiata.

Rilascio dei freni [A]:

1. Afferrare saldamente con una mano il corrimano di una ruota (oppure chiedere a un assistente di afferrare la barra di spinta con una mano).
2. Tirare all'INDIETRO la leva del freno (10) dell'ALTRA ruota.
3. Ripetere l'operazione per la seconda ruota e il secondo freno di parcheggio.

Inserimento dei freni [B]:

1. Afferrare saldamente con una mano il corrimano di una ruota (oppure chiedere a un assistente di afferrare la barra di spinta con una mano).
2. Spingere in AVANTI la leva del freno (10) dell'ALTRA ruota, fino a quando si percepisce chiaramente un effetto di bloccaggio.
3. Ripetere l'operazione per la seconda ruota e il secondo freno di parcheggio.

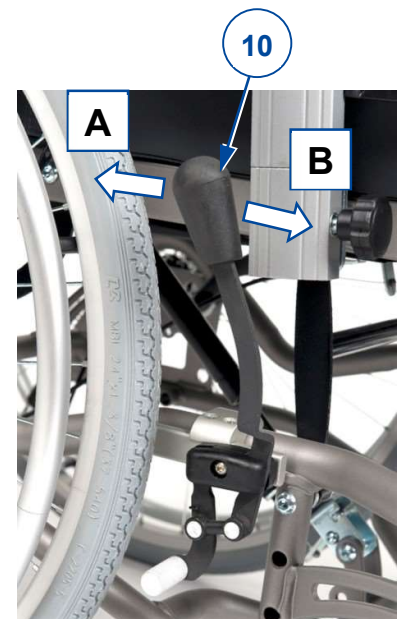


Figura 4 Azionamento dei freni di parcheggio

3.2 Freni a tamburo (solo per le ruote fisse da 16")

ATTENZIONE Rischio di lesioni

- Prima di rilasciare i freni, accertarsi che la carrozzina si trovi su una superficie piana orizzontale.
- Non rilasciare mai entrambi i freni contemporaneamente.
- Per parcheggiare o arrestarsi su una superficie inclinata, utilizzare i freni di parcheggio dopo essersi fermati.
- La regolazione dei freni deve essere eseguita esclusivamente da un rivenditore specializzato.

Azionamento dei freni a tamburo:

1. Tirare le leve (60) dei freni con un movimento di compressione.
2. È possibile bloccare ciascuna leva (60) dei freni spingendo verso il basso la leva di bloccaggio (61) con un dito.
3. Rilasciare le leve (60) dei freni.

Riavvio del movimento / dell'uso:

1. Tirare le leve (60) dei freni con un movimento di compressione. Tale movimento rilascia la leva di bloccaggio (61).
2. Afferrare saldamente le impugnature rilasciando allo stesso tempo le leve (60) dei freni.



Figura 5 Azionamento dei freni a tamburo

3.3 Trasferimento alla/dalla carrozzina



Rischio di lesioni o di danni

- Se non si è in grado di effettuare il trasferimento in condizioni di sicurezza, richiedere l'assistenza di un'altra persona.
- Non rimanere in piedi sulle pedane durante il trasferimento alla o dalla carrozzina.

Trasferimento

1. Quando si è seduti su una poltrona, un divano, un sedile o un letto, avvicinare il più possibile a sé la carrozzina.
2. Inserire entrambi i freni di parcheggio per impedire qualunque movimento; vedere il § 3.1.
3. Utilizzare il telecomando per riportare lo schienale e il sedile nella posizione di seduta; vedere il § 3.6.
4. Ripiegare verso l'alto le pedane per evitare di salirvi, oppure ruotare di lato gli appoggi per le gambe in modo da liberare il passaggio per il trasferimento.
5. Se necessario, rimuovere il bracciolo e/o l'appoggio per le gambe da un lato (vedere il § 0).
6. Trasferirsi sulla/dalla carrozzina utilizzando la forza delle proprie braccia o con l'ausilio di un assistente o di un dispositivo di sollevamento.

Posizione di seduta sulla carrozzina

1. Sedersi sul sedile con la parte inferiore della schiena contro lo schienale.
2. Reinstallare il bracciolo e/o il supporto per le gambe eventualmente rimosso.
3. Ruotare nuovamente in avanti gli appoggi per le gambe, quindi riabbassare le pedane e appoggiarvi i piedi.
4. Accertarsi che la parte superiore delle gambe sia orizzontale e che i piedi si trovino in una posizione confortevole; regolare la carrozzina secondo le istruzioni del § 3.4 .

3.4 Regolazioni per il comfort



Rischio di lesioni o di danni

- Le regolazioni per il comfort indicate di seguito possono essere effettuate da assistenti o badanti. Tutte le altre regolazioni vengono eseguite dal rivenditore specializzato.
- Tenere sempre conto del raggio di rotazione del poggiatesta, per evitare di causare lesioni alle persone o danni materiali.
- Avere cura di evitare che dita, indumenti e fibbie rimangano intrappolati durante le regolazioni.

3.4.1 Altezza dei braccioli

Le imbottiture (3) dei braccioli della carrozzina possono essere regolate su 6 altezze diverse:

1. Ruotare la manopola a stella (45) in senso antiorario per sbloccarla.
2. Tirare e trattenere la manopola a stella per rilasciare il tubo interno del bracciolo (9).
3. Fare scorrere verso l'alto / il basso il tubo interno del bracciolo (9) nel supporto (46), fino all'altezza desiderata. Accertarsi che i fori del tubo interno e di quello esterno siano allineati.
4. Serrare nuovamente la manopola a stella (45) ruotandola in senso orario.
5. Ripetere l'operazione per il secondo bracciolo. Accertarsi che i braccioli siano fissati saldamente.



Figura 6 *Regolazione dell'altezza dei braccioli*

3.4.2 Altezza delle maniglie / della barra di spinta

ATTENZIONE Rischio di lesioni

Utilizzare sempre i fori di regolazione disponibili sulla maniglia di spinta. Non superare mai la regolazione massima dell'altezza.

Le maniglie di spinta (16) e la barra di spinta (23) sono collegate, e possono essere regolate su 7 altezze differenti:

1. Allentare e rimuovere entrambe le manopole a stella (31) presenti sui supporti delle maniglie.
2. Regolare simultaneamente l'altezza di entrambe le maniglie di spinta facendole scorrere verso l'alto / il basso nei loro supporti. Accertarsi che i fori del tubo interno e di quello esterno siano allineati.
3. Inserire le due manopole a stella (31) nei supporti e nei fori di regolazione.
4. Ruotare in senso orario le manopole a stella fino a serrarle manualmente.
5. Accertarsi che entrambe le maniglie di spinta siano fissate saldamente.



Figura 7 *Regolazione dell'altezza delle maniglie di spinta*

3.4.3 Angolazione degli appoggi per le gambe

1. Allentare la leva (62) presente nel punto di rotazione.
2. Regolare l'angolazione dell'appoggio per le gambe sollevando/abbassando le pedane (fra 100° e 190°).
3. Serrare nuovamente a mano la leva (62).
4. Ripetere l'operazione per il secondo appoggio per le gambe. Accertarsi che entrambi gli appoggi per le gambe siano fissati saldamente.



Figura 8 *Regolazione dell'angolazione dei poggiatesta*

3.4.4 Altezza dei tappi di inclinazione

1. Tenere premuto il pulsante a molla (63).
2. Fare scorrere verso l'interno/esterno, fino alla lunghezza desiderata, il tubo (64) del tappo di inclinazione.
3. Rilasciare il pulsante a molla.
4. Ripetere l'operazione per il secondo tappo di inclinazione. Accertarsi che entrambi i tappi di inclinazione siano fissati saldamente.

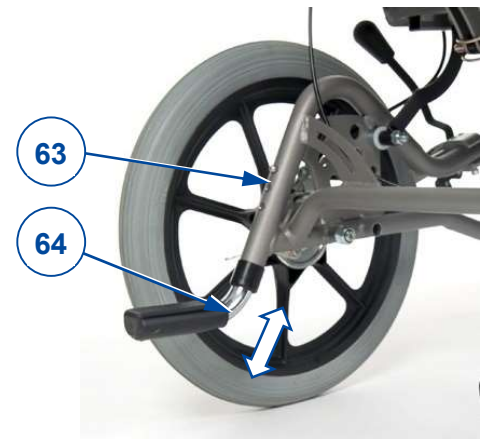


Figura 9 *Regolazione dell'altezza dei tappi di inclinazione*

3.5 Spostamenti

- i** A seconda della propria situazione clinica e del tipo di carrozzina, l'utente può azionare autonomamente la stessa oppure farla spingere da un assistente.

⚠ ATTENZIONE Rischio di intrappolamento

- Avere cura di evitare che le dita restino impigliate nei raggi delle ruote.
- Quando si attraversano passaggi stretti, prestare attenzione a non schiacciarsi le mani sui corrimani.
- Quando la carrozzina è azionata da un assistente, tenere le braccia lontane dalle ruote e i piedi sulle pedane.

⚠ ATTENZIONE Rischio di lesioni e danni

- NON guidare su superfici inclinate, ostacoli, gradini o cordoli di dimensioni superiori a quelle indicate nelle caratteristiche tecniche riportate nel capitolo 5.
- Non utilizzare la carrozzina nel traffico. Rimanere sempre sul marciapiede.
- Non azionare i corrimani con le mani bagnate.
- Prestare attenzione quando si procede su strade con buche o fessure in cui le ruote possano incastrarsi.
- Evitare sassi o altri oggetti in grado di bloccare le ruote.
- Tenere sempre conto del raggio di rotazione del poggiatesta, per evitare di causare lesioni alle persone o danni materiali.
- Prima di ogni utilizzo, verificare che:
 - tutte le regolazioni siano fissate saldamente; vedere il § 3.4.
 - i freni di parcheggio funzionino correttamente.
 - gli pneumatici siano in buone condizioni; vedere il § 4.

3.5.1 Spostamenti con un assistente

1. Rilasciare i freni, o farli rilasciare dall'assistente mentre trattiene la carrozzina per evitare che si sposti; vedere il § 3.1 o il § 3.2.
2. L'assistente deve afferrare le impugnature o la barra di spinta per spingere la carrozzina nella direzione desiderata.
3. Dopo l'arresto, inserire i freni trattenendo allo stesso tempo la carrozzina nel punto in cui si trova; vedere il § 3.1 o il § 3.2.

3.5.2 Spostamenti in autonomia

1. Rilasciare uno alla volta i freni di parcheggio; vedere il § 3.1.
2. Spostare le mani nel punto più alto di entrambi i corrimani.
3. Inclinare il busto in avanti e spingere/ruotare in avanti i corrimani, fino a quando le braccia sono distese.

4. Riportare in scioltezza le braccia sul punto più alto dei corrimani e ripetere il movimento di spinta.
5. Per fermarsi, attendere l'arresto della carrozzina e spostarsi in avanti / all'indietro azionando i corrimani. Inserire uno alla volta i freni di parcheggio; vedere il § 3.1.

3.5.3 Spostamenti su superfici inclinate

ATTENZIONE

Rischio di lesioni

- Se l'assistente non dispone di una forza sufficiente per controllare la carrozzina, arrestare la marcia e utilizzare immediatamente i freni.
- Quando ci si arresta su una superficie (poco) inclinata, utilizzare i freni, in quanto la carrozzina può iniziare a muoversi inaspettatamente.

1. Assicurarsi alla carrozzina con una cintura di sicurezza.
2. Chiedere aiuto a un assistente o a un passante.
3. Procedere lentamente e in linea retta. Quando si procede in salita, inclinare il busto leggermente in avanti (A/B). Quando si procede in discesa, inclinare il busto all'indietro, appoggiandosi allo schienale.
4. Non invertire mai il senso di marcia sulle superfici inclinate.

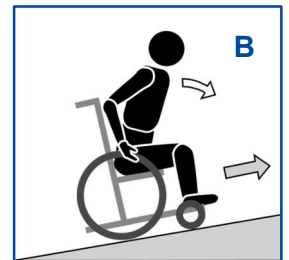


Figura 10 Percorsi in salita

3.5.4 Uso delle rampe

ATTENZIONE

Rischio di lesioni da ribaltamento

- Utilizzare soltanto rampe approvate da Vermeiren, e non superare il loro carico massimo.
 - Accertarsi che la carrozzina, una volta inclinata, non tocchi il suolo o la rampa.
 - Affrontare le rampe soltanto con l'aiuto di uno o due assistenti.
1. Regolare la posizione dello schienale, del sedile e dei poggiatesta in modo da ridurre il volume occupato dalla carrozzina e da aumentarne la stabilità una volta in pendenza.
 2. Smontare i poggiatesta; vedere il § 2.4.5.
 3. Seguire le istruzioni riportate nel § 3.5.3.

3.5.5 Uso delle scale

ATTENZIONE

Rischio di lesioni da ribaltamento

- Le scale devono sempre essere affrontate con l'aiuto di due assistenti.
- Non tentare mai di utilizzare scale inadatte alle carrozzine.

Per utilizzare le scale rimanendo seduti sulla carrozzina, attenersi alle seguenti istruzioni:

1. Smontare i poggiatesta; vedere il § 2.4.5.
2. Un assistente deve inclinare leggermente all'indietro la carrozzina servendosi delle maniglie.
3. Il secondo assistente deve afferrare la carrozzina dal lato anteriore del telaio, su entrambi i lati della stessa.
4. Rimanere calmi, evitare movimenti improvvisi e tenere le braccia all'interno della carrozzina.
5. Entrambi gli assistenti devono sollevare e tirare la carrozzina da un gradino al successivo, mentre le ruote posteriori rotolano sui gradini.
6. Una volta superate le scale, rimontare i poggiatesta al loro posto; vedere il § 2.4.4.



Figura 11 Uso delle scale

3.5.6 Affrontare gli ostacoli



Rischio di lesioni da ribaltamento

- Richiedere sempre il supporto di un assistente (o due).
- Quando si affronta un ostacolo, accertarsi che le pedane non tocchino terra. Se necessario, rimuovere i poggiapiedi.
- Non utilizzare la carrozzina sulle scale mobili.
- Se disponibile, indossare la cintura di sicurezza.

Cordoli bassi (in salita o in discesa)

Questi cordoli possono essere affrontati procedendo in avanti (E/F) con l'ausilio di un assistente:

1. L'assistente deve fare avanzare la carrozzina avvicinandosi al cordolo. Accertarsi che le pedane non tocchino i cordoli.
2. Inclinare il busto all'indietro per ridurre la pressione sulle ruote anteriori.
3. Mentre procede in avanti, l'assistente deve impugnare saldamente le maniglie. Se necessario, l'assistente deve utilizzare i tappi di inclinazione per mantenere le ruote anteriori sollevate fino a quando non hanno superato il bordo del cordolo.
4. L'assistente deve rilasciare la pressione sulle maniglie e sui tappi per le estremità per appoggiare delicatamente a terra le ruote anteriori.
5. L'assistente deve poi impugnare saldamente le maniglie spingendo le ruote posteriori della carrozzina sul cordolo o giù dal medesimo.

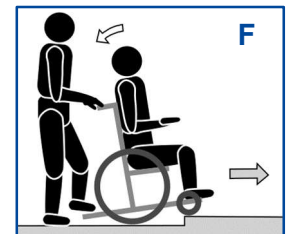
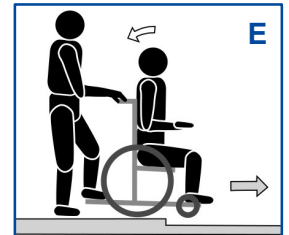


Figura 12 *Affrontare i cordoli bassi con un assistente*

Cordoli medi (in salita o in discesa)

Questi cordoli devono essere affrontati procedendo all'indietro con l'ausilio di un assistente:

1. L'assistente deve ruotare la carrozzina in modo da fare avvicinare per prime al cordolo le ruote posteriori (G/H).
2. In discesa: Inclinare il busto in avanti (G) per spostare il baricentro verso il lato anteriore.
In salita: Inclinare il busto all'indietro (H) per spostare il baricentro verso il lato posteriore.
3. L'assistente deve tirare delicatamente la carrozzina per farla scendere dal / salire sul cordolo.



Figura 13 *Affrontare i medi bassi con un assistente*

Cordoli più alti

I cordoli di altezza maggiore, ma inferiore al valore massimo, vedere il § 5, devono essere affrontati con l'aiuto di due assistenti.

In discesa:

1. Rimuovere i poggiapiedi.
2. L'assistente deve fare avanzare la carrozzina avvicinandosi al cordolo.
3. Inclinare il busto all'indietro per ridurre la pressione sulle ruote anteriori.
4. L'assistente deve afferrare saldamente le maniglie e utilizzare i tappi di inclinazione per mantenere le ruote anteriori sollevate fino a quando non hanno superato il bordo del cordolo.
5. Il secondo assistente deve afferrare il lato anteriore del telaio e spostarsi all'indietro trascinando le ruote posteriori fino a farle scendere dal cordolo.
6. Il primo assistente deve rilasciare la pressione sulle maniglie e sui tappi di inclinazione per appoggiare a terra le ruote anteriori.

In salita:

1. Rimuovere i poggiatesta.
2. Il primo assistente deve ruotare la carrozzina in modo da fare avvicinare per prime al cordolo le ruote posteriori.
3. Inclinare il busto all'indietro per spostare il baricentro verso il lato posteriore.
4. Il secondo assistente deve afferrare il lato anteriore del telaio e spostarsi in avanti trascinando/spingendo le ruote posteriori sul cordolo. Il primo assistente deve sollevare le maniglie, afferrandole saldamente per evitare che la carrozzina si capovolga.

3.6 Uso del telecomando

 **ATTENZIONE** Rischio di lesioni o di danni

- L'uso del telecomando è riservato esclusivamente agli utenti in grado di servirsene o ai loro assistenti autorizzati e addestrati.
- Non dimenticare che la stabilità della carrozzina diminuisce quando la si porta dalla posizione seduta eretta a quella inclinata.

 **ATTENZIONE** Rischio di danni

- Accertarsi che intorno alla carrozzina sia disponibile uno spazio sufficiente per azionare lo schienale e il sedile.
- Avere cura che nessun oggetto rimanga intrappolato fra i componenti in movimento.

La carrozzina viene fornita con un telecomando che consente di azionare i componenti mobili.

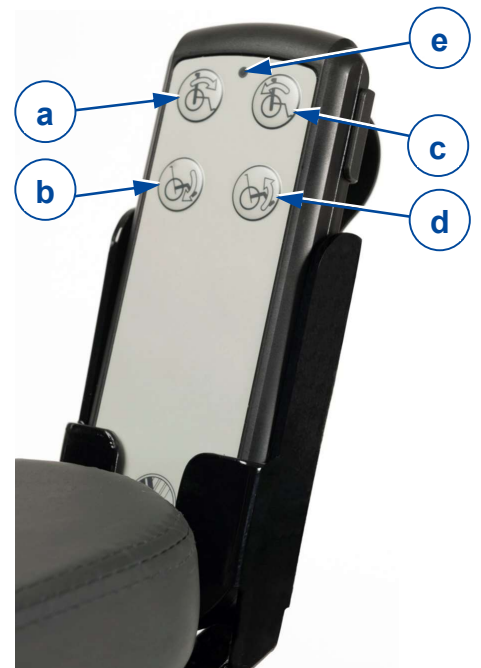
Per l'uso, procedere come segue:

1. Inserire i freni di parcheggio; vedere il § 3.1.
2. Collegare il cavo di alimentazione a una presa di corrente a 220/230 Vc.a.
3. Attendere almeno 15 secondi. L'indicatore luminoso (e) si accende.
4. Per l'azionamento, tenere premuto uno dei pulsanti (a – d).
5. Per arrestare il movimento, rilasciare il pulsante.

Pulsanti operativi:

- (a) Schienale: sollevamento fino alla posizione seduta eretta
- (b) Sedile: abbassamento fino alla posizione seduta
- (c) Schienale: abbassamento fino alla posizione reclinata
- (d) Sedile: sollevamento fino alla posizione reclinata

Figura 14 *Telecomando nel suo supporto*



Per ulteriori informazioni sugli angoli di inclinazione dello schienale e del sedile, vedere il capitolo 5.

3.7 Stato e ricarica della batteria



AVVERTENZA Rischio di lesioni e di danni da incendio

- Utilizzare esclusivamente l'adattatore di alimentazione fornito con la carrozzina. L'uso di qualunque altro adattatore può essere pericoloso (pericolo di incendio).
- L'adattatore di alimentazione è studiato unicamente per caricare la batteria fornita con la carrozzina, e nessun'altra.
- Non effettuare alcun adattamento dei componenti forniti, come cavi, spinotti o adattatore di alimentazione. Non aprire mai la batteria, e non modificarne i punti di collegamento.
- Proteggere la batteria e l'adattatore di alimentazione da fiamme, temperature elevate (> 45 °C), umidità, luce solare diretta e forti urti (dovuti ad esempio a cadute). Se la batteria è stata esposta a una di tali situazioni, NON utilizzarla.
- Caricare le batterie con l'adattatore di alimentazione; eseguire l'operazione al coperto, in un'area ben ventilata e fuori dalla portata dei bambini. Non utilizzare alcuna ciabatta o prolunga per la ricarica.

ATTENZIONE Rischio di danni

- Leggere le istruzioni per il magazzinaggio e la manutenzione riportate nel § 4.1 e le informazioni tecniche di dettaglio contenute nel capitolo 5.
- Non lasciare mai scaricare completamente le batterie.
- Non interrompere il ciclo di ricarica; scollegare il caricabatterie soltanto quando le batterie sono completamente cariche.
- La durata si riduce infatti se la batteria viene esposta a condizioni di freddo estremo per un periodo di tempo più prolungato.
- Mantenere il punto di collegamento dell'adattatore di alimentazione libero da polvere e altri contaminanti.
- Collegare l'adattatore di alimentazione direttamente a una presa di corrente (senza timer).
- In caso di problemi che impediscano di caricare la batteria secondo le istruzioni riportate di seguito, rivolgersi al proprio rivenditore specializzato.
- A causa della corrente di riposo, la batteria si scarica anche se la carrozzina non viene utilizzata per un certo tempo. Si consiglia pertanto di ricaricare comunque la batteria con regolarità.

3.7.1 Stato della batteria

L'indicatore luminoso (65) presente sull'alloggiamento della batteria mostra lo stato di capacità di quest'ultima tramite i codici di segnalazione riportati nella Tabella 1.

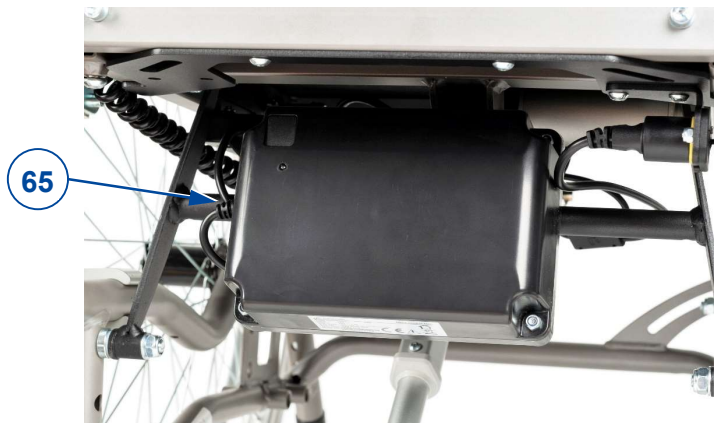


Figura 15 **Ubicazione della batteria nella carrozzina**

Tabella 1: Codici dell'indicatore della batteria

Codice di indicazione	Significato
Luce VERDE continua	La batteria è collegata all'alimentazione e in ricarica normale (capacità fra il 70 e il 100%). <ul style="list-style-type: none"> • Mantenere la batteria collegata all'alimentazione di corrente fino al termine della ricarica.

Luce VERDE lampeggiante velocemente; 1 secondo accesa, 1 secondo spenta	La batteria collegata all'alimentazione e in ricarica normale (capacità inferiore al 70%). • Mantenere la batteria collegata all'alimentazione di corrente fino al termine della ricarica.
Luce VERDE lampeggiante lentamente; 0,5 secondi accesa, 4 secondi spenta	Scarica normale della batteria (capacità fra il 25 e il 100%)
Luce ARANCIONE lampeggiante lentamente; 0,5 secondi accesa, 4 secondi spenta	Occorre ricaricare la batteria (capacità inferiore al 25%). • Caricare la batteria.
Luce ARANCIONE continua	Indicazione di guasto. È possibile che la batteria sia scollegata o che sia presente un problema elettrico. • Rivolgersi al proprio rivenditore specializzato per supporto o per un'eventuale sostituzione.
Indicatore luminoso sempre spento	È attiva la protezione della batteria e il funzionamento è stato bloccato/arrestato perché: <ul style="list-style-type: none"> o È stata rilevata una sovracorrente per oltre 10 secondi o La tensione è bassa e può fare scaricare eccessivamente la batteria. Ciò si verifica quando la capacità della batteria è inferiore al 20%. • Caricare la batteria.

3.7.2 Carica della batteria

Per caricare la batteria:

1. Collegare ANZITUTTO l'adattatore di alimentazione a una presa elettrica a 230 Vc.a. L'indicatore (66) si illumina (in verde) per segnalare che l'adattatore è alimentato. In caso contrario, non utilizzare il caricatore e rivolgersi al proprio rivenditore specializzato.
2. Inserire lo spinotto (67) dell'adattatore nella presa (68) del punto di carica; vedere la Figura 16. Accertarsi che l'incavo dello spinotto si inserisca sulla sporgenza presente all'interno della presa.
3. Attendere che l'indicatore luminoso (66) della batteria diventi verde (capacità superiore al 70%) e continuare la ricarica per le successive 10 ore.
4. Scollegare l'adattatore di alimentazione.
5. Scollegare l'adattatore di alimentazione dalla presa, lasciarlo raffreddare e riporlo nella custodia in un luogo asciutto.





Figura 16 *Ubicazione del punto di collegamento*

- i** A seconda delle sue condizioni, la batteria necessita di una ricarica della durata minima di 10 ore e, se scarica al di sotto di una capacità del 25%, fino a 24 ore o più. La batteria non si danneggia se viene caricata più a lungo.
Le precedenti istruzioni consentono di arrestare e riavviare il processo di ricarica in qualunque momento.

4 Manutenzione

La carrozzina richiede una manutenzione minima, ma per poterla utilizzare senza problemi per anni è consigliabile ispezionarla con regolarità.

4.1 Punti di manutenzione



ATTENZIONE

Rischio di lesioni e danni

Riparazioni e sostituzioni devono essere eseguite esclusivamente da personale con un'opportuna formazione e utilizzando unicamente ricambi originali Vermeiren.

i L'ultima pagina di questo manuale contiene un modulo di registrazione che consente ai rivenditori specializzati di registrare ogni intervento di assistenza.

La frequenza dell'assistenza dipende dalla frequenza e dall'intensità dell'uso. Concordare con il proprio rivenditore un calendario comune per le attività di ispezione / manutenzione / riparazione.

Prima di ciascun utilizzo

Verificare i seguenti punti:

- Tutti i componenti: Presenti e privi di danni o usura.
- Tutti i componenti: pulizia, vedere il § 4.2.2.
- Ruote, sedile, appoggi per le gambe, braccioli, poggiatesta, pedane e poggiatesta (se presente): ben fissati.
- Stato delle batterie: ricarica secondo necessità, vedere il § 3.7.
- Telecomando, batteria, scatola di giunzione, motore elettrico, adattatore di alimentazione e relativi cavi: assenza di danni come fili sfilacciati, spezzati o esposti.
- Condizioni delle ruote / degli pneumatici: vedere il § 4.2.1.
- Condizioni dei freni: vedere il § 4.2.1.
- Condizioni del telaio: assenza di deformazioni, instabilità, punti deboli o raccordi allentati
- Sedile, schienale, poggiatesta (se presente) e imbottiture di braccioli e appoggi le gambe: assenza di usura eccessiva (come ammaccature, danni o lacerazioni).

Rivolgersi al proprio rivenditore specializzato per le riparazioni o i ricambi eventualmente necessari.

Ogni sei mesi

In caso di rimessaggio prolungato della carrozzina, occorre comunque caricare le batterie per 24 ore ogni 6 mesi. Per maggiori informazioni, vedere il § 3.5.

Annualmente o con maggiore frequenza

Almeno una volta all'anno, o con maggiore frequenza, richiedere al proprio rivenditore specializzato un intervento di ispezione e manutenzione della carrozzina. La frequenza minima di manutenzione dipende dall'uso, e deve pertanto essere concordata con il proprio concessionario autorizzato.

In caso di rimessaggio

Avere cura di immagazzinare la carrozzina in un luogo asciutto, per evitare la formazione di muffa e danni alla selleria.

4.2 Istruzioni per la manutenzione

4.2.1 Ruote e pneumatici

i Il funzionamento corretto dei freni dipende dallo stato degli pneumatici, che può variare a seconda dell'usura e dell'eventuale contaminazione (acqua, olio, fango e così via).

- Tenere pulite le ruote da fili, capelli, sabbia e fibre di moquette.
- Verificare il profilo degli pneumatici. Se la profondità del battistrada è inferiore a 1 mm, occorre sostituire gli pneumatici. A tale scopo, rivolgersi al proprio rivenditore specializzato.


4.2.2 Pulizia

 **ATTENZIONE** Rischio di danni da umidità

- Tenere pulito il telecomando e proteggerlo dall'acqua e dalla pioggia.
- Non pulire la carrozzina con manichette o pulitrici ad alta pressione.

Strofinare tutti i componenti rigidi della carrozzina con un panno umido (non zuppo). Se necessario, utilizzare un detergente delicato, adatto per smalti e materiali sintetici. È possibile pulire la selleria con acqua tiepida e un detergente delicato. Non utilizzare detergenti abrasivi per la pulizia.


4.2.3 Disinfezione

 **ATTENZIONE** Rischio di danni

La disinfezione deve essere eseguita esclusivamente da personale con un'opportuna formazione. Consultare il proprio rivenditore specializzato.

4.3 Soluzione dei problemi di funzionamento

Anche se si utilizza la carrozzina nel modo corretto, è comunque possibile che si verifichi un problema tecnico. In tal caso, rivolgersi al rivenditore specializzato della propria zona.

 **ATTENZIONE** Rischio di lesioni e di danni alla carrozzina

- NON tentare MAI di riparare personalmente la carrozzina.

I sintomi indicati di seguito possono segnalare un problema grave. Rivolgersi pertanto sempre al proprio rivenditore specializzato se si rileva una qualunque delle seguenti anomalie:

- Rumori strani;
- Cablaggi elettrici sfilacciati/danneggiati;
- Connettori incrinati o spezzati;
- La carrozzina è alimentata, ma l'uso del telecomando non produce alcun risultato; vedere il § 3.7.

4.4 Durata prevista

La carrozzina ha una durata media prevista di 5 anni. Tale valore aumenta o diminuisce a seconda della frequenza di utilizzo, delle condizioni di guida e della manutenzione.

4.5 Fine vita

A fine vita, occorre smaltire la carrozzina conformemente alla legislazione ambientale locale. Il modo migliore per farlo consiste nello smontare la carrozzina per agevolare il trasporto dei componenti riciclabili.

5 Specifiche tecniche

I dettagli tecnici riportati di seguito sono validi soltanto per la carrozzina oggetto del manuale, con le impostazioni standard e in condizioni ambiente ottimali. Durante l'uso, tenere conto di questi dati di dettaglio. I valori indicati non sono più validi se la carrozzina ha subito modifiche o danni, oppure presenta un livello elevato di usura.

Tabella 2: Specifiche tecniche

Marchio	Vermeiren	
Tipo	Carrozzina	
Modello	Inovys II-E	
Descrizione	Dimensioni valide per tutte le configurazioni	
Peso massimo dell'utente	135 kg	
Stabilità statica in discesa	10° **	
Stabilità statica in salita	15° **	
Stabilità statica laterale	12° **	
Superamento di ostacoli	60 mm	
Descrizione	Min.	Max.
Lunghezza complessiva con poggiatesta (funzione della regolazione della profondità del sedile)	1050 mm	1090 mm
Lunghezza in configurazione smontata senza poggiatesta (funzione della regolazione della profondità del sedile)	830 mm	870 mm
Altezza totale (senza poggiatesta)	990 mm	1060 mm
Altezza in configurazione smontata (con schienale ripiegato e senza braccioli)	710 mm	780 mm
Angolo del piano di seduta	0°	+21°
Profondità effettiva del sedile	460 mm	520 mm
Altezza del bordo anteriore della superficie del sedile (con cuscino)	460 mm	530 mm
Angolo dello schienale	0°	+54°
Altezza dello schienale	550 mm	585 mm
Distanza fra poggiatesta e sedile	400 mm	570 mm*
Angolazione della pedana	80°	100°
Angolo fra sedile e poggiatesta	104°	194°
Distanza fra bracciolo e sedile	220 mm	320 mm
Posizione anteriore della struttura del bracciolo	460 mm	490 mm
Descrizione	Dimensioni in funzione della configurazione	
Diametro delle ruote posteriori	16" (T30) con freni a tamburo	24"
Diametro del corrimano	NA	535 mm
Larghezza effettiva del sedile	400 mm	500 mm
Larghezza complessiva (funzione della larghezza del sedile)	630 mm	730 mm
Larghezza in configurazione smontata (senza braccioli)	600 mm	700 mm
Larghezza della pedana (minima – massima)	44 - 46 mm	48 - 50 mm
Diametro delle ruote direzionali	200 mm	200 mm
Posizione orizzontale dell'asse (deflessione)	-8 mm - 41 mm	-4 mm - 42 mm
Massa totale	41,7 kg	40,9 kg

Massa del componente più pesante	27,1 kg	22,9 kg
Masse dei componenti rimovibili		
Poggiapiedi	4,80 kg	4,80 kg
Braccioli	3,8 kg	3,8 kg
Ruote posteriori	NA	3,6 kg
Schienale	3,6 kg	3,6 kg
Batteria	2,2 kg	2,2 kg
Cerchio di volta (diametro)	1520 mm	1620 mm
Descrizione	Specifiche valide per tutte le configurazioni	
Prove di resistenza a norma	ISO 7176-8	
Infiammabilità della selleria a norma	ISO 7176-16	
Conformità EMC	ISO 7176-21 / EN 61000-3-2 ed EN 61000-3-3	
Adattatore di alimentazione / trasformatore	Ingresso: 100 - 240 Vc.a., 50/60 Hz Potenza max.: 29 Vc.c., 2,5 A Classe di protezione: IP66 Ciclo di funzionamento: 2 min ON / 18 min OFF	
Batteria	Capacità: 1,2 Ah Ingresso: 29 - 45 Vc.c. Uscita: 24 Vc.c., 1,2 A Classe di protezione: IP66 Ciclo di funzionamento: 10% (2 min ON / 18 min OFF)	
Motore elettrico (2x)	Capacità: 1500 N Regime del motore elettrico: 2200 giri/min Umax. 24 Vc.c.; I _{max} . 2,2 A Classe di protezione: IP66, Ciclo di funzionamento: 10% (max. 2 min ON / 18 min OFF)	
Telecomando	Classe di protezione: IP66	
Temperatura di uso e magazzinaggio (batteria)	+5 - +45 °C	
Umidità di magazzinaggio e di utilizzo	30% - 70%	
Vermeiren si riserva il diritto di introdurre modifiche tecniche. Tolleranze di misurazione ± 15 mm / 1,5 kg / 1,5°.		
(*) Non regolare il poggiapiedi alla lunghezza massima, per evitare che la pedana venga a contatto con il suolo.		
(**) Collaudo eseguito nella configurazione standard		
NA Non applicabile		

Contenido

Introducción	2
1 Su producto	3
1.1 Descripción	3
1.2 Accesorios	4
2 Antes de su uso	5
2.1 Uso previsto	5
2.2 Instrucciones generales de seguridad	5
2.3 Símbolos presentes en la silla de ruedas	5
2.4 Transporte, montaje y desmontaje.....	6
2.5 Primer uso y almacenamiento	11
3 Utilizar la silla de ruedas	12
3.1 Frenos de estacionamiento (solo para ruedas de 22"/24")	12
3.2 Frenos de tambor (solo para ruedas fijas de 16")	12
3.3 Trasladarse hacia/de la silla de ruedas.....	13
3.4 Ajustes de comodidad.....	13
3.5 Conducción.....	15
3.6 Utilización del mando.....	18
3.7 Estado de la batería y su recarga	19
4 Mantenimiento	22
4.1 Puntos de mantenimiento	22
4.2 Instrucciones de mantenimiento	23
4.3 Resolución de problemas	23
4.4 Vida útil prevista.....	23
4.5 Fin de vida útil.....	23
5 Especificaciones técnicas	24

Introducción

¡Felicidades! Es usted el propietario de una silla de ruedas Vermeiren.

Esta silla de ruedas ha sido fabricada por personal experto y cualificado. Se ha diseñado y fabricado según los más altos estándares de calidad, implementados por Vermeiren.

Le agradecemos su confianza en los productos Vermeiren. Le ofrecemos este manual para ayudarle en la utilización de su silla de ruedas y sus opciones de manejo. Léalo detenidamente. Le ayudará a familiarizarse con el manejo, las capacidades y limitaciones de su silla de ruedas.

Si todavía tiene alguna duda después de leer este manual, contacte con su distribuidor especializado, estará encantado de ayudarle.

Nota importante

Para garantizar su seguridad y prolongar la vida útil de su producto, cuídalo bien y asegúrese de realizar revisiones y mantenimientos de manera regular.

La garantía de este producto se basa en el uso y mantenimiento normales descritos en este manual. La garantía se invalida si el producto sufre cualquier daño causado por un uso indebido o falta de mantenimiento.

Este manual refleja los desarrollos más recientes del producto. Vermeiren se reserva el derecho a implementar cambios en este tipo de producto sin que ello suponga obligación alguna de adaptar o cambiar productos similares previamente entregados.

Las imágenes del producto están presentes para clarificar las instrucciones contenidas en este manual. Los detalles del producto mostrado pueden variar con su producto.

Información disponible

En nuestro sitio web <http://www.vermeiren.com/> siempre encontrará la versión más reciente de la información en este manual. Consulte este sitio web de manera regular para estar al tanto de posibles actualizaciones.

Las personas con discapacidad visual pueden descargarse la versión electrónica del manual y utilizar un software de síntesis de voz para poder oír su contenido.



Manual de usuario
Para el usuario y el distribuidor especializado



Manual de instalación
Para el distribuidor especializado



Manual de mantenimiento para sillas de ruedas
Para el distribuidor especializado

1 Su producto

1.1 Descripción

La silla de ruedas Inovys II- E es fácil de manejar y puede usarse tanto en interiores como exteriores. Es plegable y compacto, lo que facilita su almacenamiento. La silla de ruedas está disponible en distintos tamaños y puede equiparse fácilmente con piezas opcionales para mayor comodidad del usuario. La siguiente imagen muestra todas las piezas relevantes para el usuario. En caso necesario, estas partes están descritas en el apartado de manejo y mantenimiento.

ES

i Antes de utilizar la silla de ruedas, se recomienda consultar los detalles técnicos y los límites de uso previstos en el capítulo 5.



Figura 1 *Piezas importantes*

- | | | |
|------------------------------|------------------------------|---|
| 1. Reposacabezas (opcional) | 7. Correa para los pies (2x) | 13. Rueda trasera (2x) |
| 2. Respaldo | 8. Reposapiernas (2x) | 14. Aro propulsor (2x) |
| 3. Almohadilla para el brazo | 9. Reposabrazos (2x) | 15. Empuñaduras con mango (2x) |
| 4. Mando | 10. Freno (2x) | 16. Soporte de reposacabezas (opcional) |
| 5. Reposapiernas (2x) | 11. Rueda delantera (2x) | |
| 6. Paleta de reposapiés (2x) | 12. Bastidor | |



Figura 2 *Piezas importantes, a continuación*

1.2 Accesorios

Los siguientes accesorios están disponibles para la silla Inovys II-E:

- Mesa de madera (B12)
- Reposacabezas (L55, L58)
- Cinturón de seguridad personal (B58)
- Cuña horizontal (B22)
- Reposabrazos para hemiplejía (B66)

Para más información, consulte con su distribuidor especializado.

2 Antes de su uso

2.1 Uso previsto

Este párrafo describe brevemente el uso previsto de la silla de ruedas. También se incluyen avisos pertinentes a las instrucciones en otros párrafos. De esta manera se pretende avisar al usuario de un eventual mal uso de la silla.

ES

- Esta silla de ruedas es apta para su uso en interiores y exteriores.
- Esta silla de ruedas está diseñada y fabricada exclusivamente para transportar a una (1) persona con un peso máximo de 135 kg. No está diseñada para transportar mercancías u objetos, ni para otros usos que no sean los descritos anteriormente.
- En función del tipo de ruedas que tenga la silla de ruedas, podrá ser manejada por un auxiliar o por el usuario que esté sentado en ella. NO utilizar la silla de ruedas sin un auxiliar si sufre de discapacidades físicas o mentales que puedan ponerle en riesgo a usted o a otras personas al conducirla. Por tanto, consulte primero con su médico y asegúrese de que su distribuidor especializado esté al tanto de los consejos de su médico.
- La silla de ruedas no está destinada para ser usada como asiento en un vehículo motorizado.
- Utilizar sólo accesorios y piezas de repuesto aprobadas por Vermeiren.

Consulte todos los detalles técnicos y las limitaciones de la silla en el apartado 7.

2.2 Instrucciones generales de seguridad

 PRECAUCIÓN Riesgo de lesiones y daños

Lea y siga las instrucciones contenidas en este manual. De no seguirlas, puede acabar lesionándose a sí mismo, o acabar rompiendo la silla de ruedas.

Tener en cuenta las siguientes advertencias durante su utilización:

- No utilizar la silla de ruedas si ha consumido alcohol, medicamentos u otras sustancias que afecten a la conducción. Esto también es aplicable al auxiliar que maneje la silla de ruedas.
- Debe tenerse en cuenta que ciertas partes de la silla de ruedas pueden llegar a calentarse o enfriarse demasiado a causa de la temperatura ambiente, la luz del sol o la calefacción. Tener siempre cuidado al tocar la silla de ruedas. Llevar ropa protectora cuando haga frío. Cuando salga al exterior, se recomienda utilizar guantes protectores para mejorar el agarre de los aros propulsores.
- Seguir las instrucciones de mantenimiento y control. El fabricante no se hace responsable de daños ocasionados por un mal mantenimiento o una mala inspección.

2.3 Símbolos presentes en la silla de ruedas

Los símbolos de la siguiente lista son aplicables a la silla de ruedas. Los símbolos se encuentran en la norma ISO pertinente (ISO 7000, ISO 7001 y IEC 417).



Peso máximo del usuario en kg



Uso en exterior/interior (batería y adaptador de potencia no incluidos)



Uso en exterior/interior (batería y adaptador de potencia)



Pendiente máxima segura en ° (grados).



Velocidad máxima



No está destinada para ser usada como asiento en un vehículo



Tipo de modelo

2.4 Transporte, montaje y desmontaje

2.4.1 Retirar del camino

Mover la silla de ruedas usando las ruedas y conducirla al destino deseado.

Si no es posible y no desea desmontar la silla, pedir ayuda para levantarla. Agarrar firmemente el bastidor con ambas manos y elevarlo del suelo. No utilizar los reposapiés, los reposabrazos o las ruedas para agarrar la silla de ruedas.

2.4.2 Transporte aéreo

Puesto que la silla de ruedas cuenta con una batería de plomo y ácido, no es posible transportarla en un avión. Si aun así se desea realizar el transporte en avión, consultar con la aerolínea antes de reservar el vuelo. También es posible retirar la batería y adquirir otra en el lugar de destino. Póngase en contacto con su distribuidor especializado para más información.

2.4.3 Transporte mediante vehículo



AVISO

Riesgo de lesiones

- NO utilizar la silla de ruedas como asiento en un vehículo, véase símbolo.
- Nunca utilizar el mismo cinturón de seguridad para el pasajero y la silla de ruedas.



1. Utilizar el mando para volver a colocar la silla de ruedas en posición de sentado, véase sección 3.6.
2. Desmontar y elevar la silla de ruedas en el vehículo siguiendo las instrucciones recogidas en la sección 2.4.4.
3. Almacenar la silla de ruedas y sus piezas en el maletero. Si el maletero y los asientos del coche NO están separados o cerrados, fijar bien el bastidor de la silla de ruedas al vehículo.

i Se puede usar una rampa para empujar la silla de ruedas al interior del vehículo; véase sección 3.5.4.

Accionar los frenos después de la carga, véase sección 3.1.

2.4.4 Montaje



PRECAUCIÓN

Riesgo de lesiones o daños

- Conviene tener cuidado para no pillarse los dedos, la ropa o las hebillas durante la manipulación.
- Tener siempre en cuenta el alcance de giro del reposapiés para evitar lesionar a otras personas o dañar objetos.
- Antes del uso, asegurarse de que todas las partes montadas están bien sujetas.



Figura 3 *Inovys II-E bastidor base con ruedas de 16" y 24" - piezas desmontadas*



[1]

- Colocar la silla de ruedas con las cuatro ruedas sobre el suelo.
- Desplegar el bastidor del respaldo (34) para abrirlo.



[2]

- Montar la parte delantera del motor en el bastidor del respaldo utilizando la clavija de fijación (33) y bloquearla con su abrazadera.
- Asegurarse de que el bastidor del respaldo está bien sujeto al motor.

ES



[3]

- Enganchar el respaldo con sus cuatro tornillos a los cuatro soportes (35) del bastidor del respaldo.
- Apretar a mano las dos perillas estrelladas superiores (36)
- Asegurarse de que el respaldo está bien fijado.



[4]

- Girar la perilla estrellada (37) del soporte del respaldo hacia la izquierda y extraerla.
- Insertar el reposabrazos (9) en su soporte.
- Insertar la perilla estrellada (37) y girarla hacia la derecha hasta que esté firme al tacto.
- Asegurarse de que el reposabrazos está bien fijado.
- Repetir estos pasos para el segundo reposabrazos.



[5]

- Sujetar el reposapiernas (5) lateralmente y engancharlo al soporte del reposapiés (39). Asegurarse de que el orificio del reposapiernas (44) coincide con la parte inferior del soporte y que el pasador del reposapiernas (38) está insertado en el soporte superior.
- Girar el reposapiernas (5) hacia dentro hasta que se bloquee haciendo un clic.
- Repetir el proceso con el otro reposapiernas.



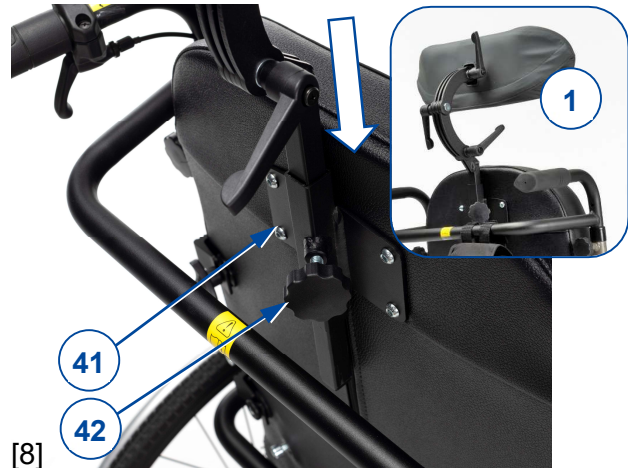
[6]

- Girar la paleta del reposapiés (6) hacia abajo.
- Repetir el proceso con la otra paleta.



[7]

- Girar el soporte para pantorrillas (40) hacia dentro.
- Girar el soporte para pantorrillas (8) hacia atrás.
- Repetir el proceso con el otro soporte para pantorrillas.



[8]

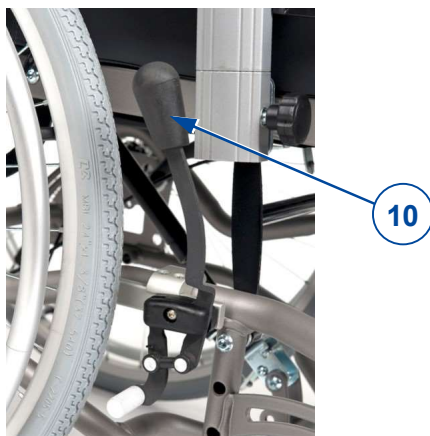
- (Si corresponde) Montar el reposacabezas (1) con el tubo cuadrado en el soporte para reposacabezas (41) del respaldo.
- Girar la perilla estrellada (42) hasta que esté bien apretada.

La silla de ruedas está lista para su uso.

2.4.5 Desmontaje

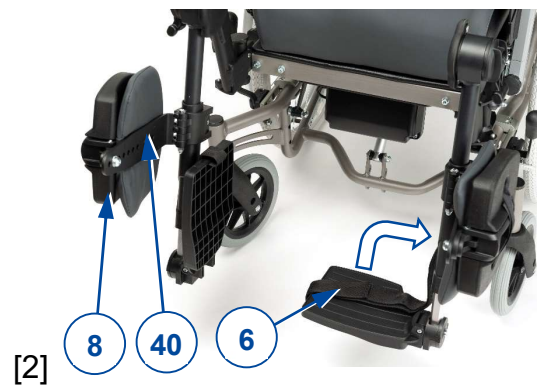
PRECAUCIÓN Riesgo de lesiones o daños

- Asegurarse de que no queden atrapados dedos, ropa o hebillas durante el desmontaje.
- Tener siempre en cuenta el alcance de giro del reposapiés para evitar lesionar a otras personas o dañar objetos.



[1]

- Accionar ambos frenos de estacionamiento utilizando la palanca de freno (10), véase sección 3.1.



[2]

- Cerrar el soporte para pantorrillas (8) y girar el apoyo del soporte para pantorrillas (40) hacia fuera.
- Repetir el proceso con el otro soporte para pantorrillas.
- Plegar ambas paletas de reposapiés (6) hacia arriba.

ES



[3]

- Tirar de la palanca del reposapiernas (50) y girar el reposapiernas (5) hacia fuera.
- Levantar el reposapiernas para retirarlo.
- Repetir el proceso con el otro reposapiernas.



[4]

- Girar la perilla estrellada (37) hacia la izquierda.
- Tirar de la perilla estrellada y sujetarla mientras se tira del reposabrazos (9) hasta extraerlo de su soporte.
- Apretar la perilla estrellada (37).



[5]

- (Si corresponde) Desmontar el reposacabezas (1):
 - Aflojar la perilla estrellada (42) del soporte del reposacabezas y retirarla.
 - Tirar del reposacabezas hacia arriba hasta que quede separado del soporte del respaldo.



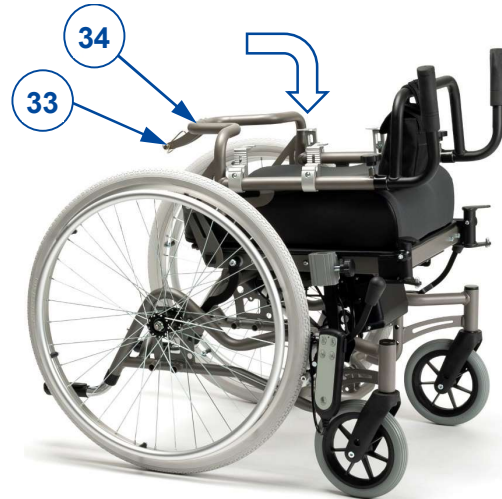
[6]

- Aflojar a mano las dos perillas estrelladas superiores (36) del respaldo.
- Tirar del respaldo hacia arriba hasta que quede separado de los cuatro soportes (35).



[7]

- Desmontar el motor del bastidor del respaldo abriendo la abrazadera de la clavija de fijación (33) y retirándola.



[8]

- Plegar el bastidor del respaldo (34) hacia abajo sobre el asiento.
- Colocar la clavija de fijación (33) de nuevo en el bastidor.

2.4.6 Montaje y desmontaje de ruedas traseras (solo para 22"/24"):

Para transportar la silla, es posible que haya que desmontar las ruedas traseras.

Para desmontar las ruedas traseras:

1. Mantener pulsado el botón (43) e introducir la rueda en el eje hasta el tope.
2. Repetir el proceso con la otra rueda y colocarla sobre los tapones inclinadores.

Para montar las ruedas traseras:

1. Tomar una de las ruedas traseras y levantar la silla por uno de los lados.
2. Mantener pulsado el botón (43) e introducir la rueda en el eje.
3. Soltar el botón para bloquear la rueda.
4. Repetir el proceso con la otra rueda. Asegurarse de que ambas ruedas estén bien fijadas.



2.5 Primer uso y almacenamiento

 **PRECAUCIÓN** Riesgo de dañar la batería

- Nunca descargar completamente la batería.
- No interrumpir el ciclo de carga; sólo desconectar el cargador de batería cuando la batería está completamente cargada.
- Asegurarse de que la silla de ruedas se almacene seca, para prevenir la formación de moho y daños a la tapicería.
- Comprobar los datos técnicos de almacenamiento, véase capítulo 5.

Asegurarse de que todas las conexiones de la batería estén conectadas y de que la batería se ha cargado completamente antes de utilizar la silla de ruedas; preguntar al distribuidor si ya se ha realizado esa tarea. Para cargar, seguir las instrucciones de carga en §3.7.

3 Utilizar la silla de ruedas



AVISO

Riesgo de lesiones

- Leer antes los capítulos anteriores e informarse sobre el uso previsto. NO utilizar la silla de ruedas si no se han leído detenidamente y entendido completamente todas las instrucciones.
- En caso de dudas o preguntas, contactar con su distribuidor especializado local, proveedor de cuidados o asesor técnico para recibir asesoramiento.

3.1 Frenos de estacionamiento (solo para ruedas de 22"/24")



PRECAUCIÓN

Riesgo de lesiones

- Manejar solo la palanca de freno cuando la silla de ruedas esté detenida.
- La palanca de freno debe ser accionada por un auxiliar si el usuario tiene problemas de movilidad.
- Asegurarse de que la silla de ruedas se encuentra en una superficie plana horizontal antes de soltar los frenos.
- No soltar nunca ambos frenos a la vez.
- Los frenos sólo pueden ser ajustados por un distribuidor especializado.



PRECAUCIÓN

Riesgo de daños

- No utilizar los frenos de estacionamiento para reducir la velocidad de la silla de ruedas en movimiento.

La silla de ruedas viene con dos frenos de estacionamiento manuales. Estos frenos están destinados a evitar cualquier movimiento de la silla de ruedas mientras está estacionada.

Soltar los frenos [A]:

1. Sujetar firmemente uno de los aros propulsores (o que sujete el auxiliar una de las barras de empuje con una mano).
2. Tirar de la palanca de freno (10) de la OTRA rueda hacia ATRÁS.
3. Repetir estos pasos para la segunda rueda y freno de estacionamiento.

Aplicar los frenos [B]:

1. Sujetar firmemente uno de los aros propulsores (o que sujete el auxiliar una de las barras de empuje con una mano).
2. Empujar la palanca de freno (10) de la OTRA rueda hacia DELANTE hasta que sienta un bloqueo.
3. Repetir estos pasos para la segunda rueda y freno de estacionamiento.

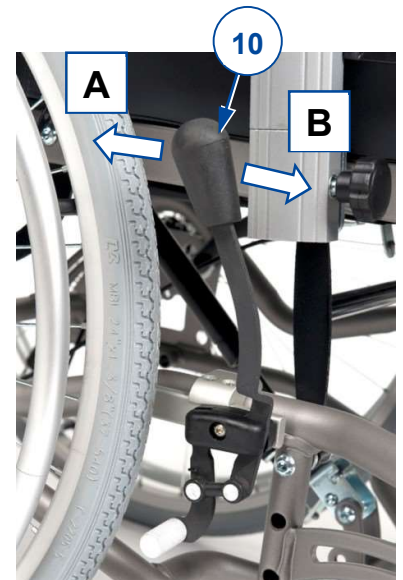


Figura 4 *Accionar los frenos de estacionamiento*

3.2 Frenos de tambor (solo para ruedas fijas de 16")



PRECAUCIÓN

Riesgo de lesiones

- Asegurarse de que la silla de ruedas se encuentra en una superficie plana horizontal antes de soltar los frenos.
- No soltar nunca ambos frenos a la vez.
- Para estacionar o parar en una pendiente, utilizar los frenos de estacionamiento solo cuando haya parado.
- Los frenos sólo pueden ser ajustados por un distribuidor especializado.

Para accionar los frenos de tambor:

1. Tirar de las palancas de freno (60) como si estuviera cerrando los puños.
2. Cada una de las palancas de freno (60) puede bloquearse accionando la palanca de bloqueo (61) hacia abajo con el dedo.
3. Soltar las palancas de freno (60).

Para circular de nuevo:

1. Tirar de las palancas de freno (60) como si estuviera cerrando los puños. La palanca de bloqueo (61) se suelta en este momento.
2. Sujetar con firmeza las empuñaduras mientras se sueltan las palancas de freno (60).

**ES**

Figura 5 **Accionar los frenos de tambor**

3.3 Trasladarse hacia/de la silla ruedas

**PRECAUCIÓN**

Riesgo de lesiones o daños

- En caso de que no se pueda hacer el traslado de manera segura, pedir ayuda a alguien.
- No se apoye en las paletas de los reposapiés durante el traslado hacia o desde la silla de ruedas.

Traslado

1. Posicionar la silla de ruedas lo más cerca posible del usuario mientras este esté sentado en su silla, sofá, asiento o cama.
2. Aplicar ambos frenos de estacionamiento para bloquear todo movimiento, véase sección 3.1.
3. Utilizar el mando para mover el respaldo y el asiento a la posición de asiento, véase sección 3.6.
4. Plegar las paletas de los reposapiés hacia arriba para evitar apoyarse sobre ellos, o girar los reposapiernas hacia afuera para dejar paso para el traslado.
5. Si hace falta, retirar el reposabrazos y/o el reposapiernas de uno de los lados (véase sección 2.4.52.4.5).
6. Trasladarse hacia/desde la silla de ruedas utilizando la fuerza de los brazos o con la ayuda de un auxiliar o de un equipo de elevación.

Sentarse en la silla de ruedas

1. Sentarse en el asiento apoyando la zona lumbar contra el respaldo.
2. Volver a instalar el reposabrazos y/o el reposapiernas si se han retirado previamente.
3. Girar los reposapiernas otra vez hacia delante o plegar las paletas hacia abajo y colocar los pies en las paletas.
4. Asegurarse de que los muslos estén en posición horizontal y que los pies estén en una posición cómoda; ajustar la silla de ruedas según las instrucciones de la sección 3.4.

3.4 Ajustes de comodidad

**PRECAUCIÓN**

Riesgo de lesiones o daños

- Los siguientes ajustes de comodidad pueden realizarlos el auxiliar o el cuidador. El resto de ajustes ha de realizarlos el distribuidor especializado.
- Tener siempre en cuenta el alcance de giro del reposapiés para evitar lesionar a otras personas o dañar objetos.
- Asegurarse de que no queden atrapados dedos, ropa o hebillas durante el ajuste.

3.4.1 Altura de los reposabrazos

Las almohadillas para los brazos (3) de la silla pueden colocarse a 6 alturas diferentes:

1. Girar la perilla estrellada (45) hacia la izquierda para desbloquearla.
2. Tirar de la perilla estrellada y sostenerla para soltar el tubo interno del reposabrazos (9).
3. Deslizar el tubo interno del reposabrazos (9) hacia arriba o abajo en apoyo (46) hasta lograr la altura deseada. Asegurarse de que los orificios del tubo interno y externo coinciden.
4. Reapretar la perilla estrellada (45) girándola hacia la derecha.
5. Repetir estos pasos para el segundo reposabrazos. Asegurarse de que los reposabrazos están bien fijados.



Figura 6 *Ajustar la altura de los reposabrazos*

3.4.2 Altura de las empuñaduras o la barra de empuje

 PRECAUCIÓN Riesgo de lesiones

Usar siempre los orificios de ajuste de la empuñadura. No sobrepasar nunca la altura máxima.

Las empuñaduras (16) y la barra de empuje (23) están conectadas y se pueden ajustar en 7 posiciones distintas:

1. Aflojar ambas perillas estrelladas (31) en los soportes de la empuñadura y retirarlas.
2. Ajustar la altura de ambas empuñaduras simultáneamente deslizándolas hacia arriba/abajo por los soportes. Asegurarse de que los orificios del tubo interno y externo coinciden.
3. Insertar las dos empuñaduras (31) en los soportes y los orificios de ajuste.
4. Girar las perillas estrelladas hacia la derecha hasta que estén firmes.
5. Asegurarse de que ambas empuñaduras estén bien fijadas.



Figura 7 *Ajustar la altura de las empuñaduras*

3.4.3 Ángulo del reposabrazos

1. Aflojar la palanca (62) del punto de rotación.
2. Ajustar el ángulo del reposapiernas elevando/bajando las paletas del reposapiés (entre 100 y 190 °).
3. Volver a apretar a mano la palanca (62) con firmeza.
4. Repetir el proceso con el otro reposapiernas. Asegurarse de que ambos reposapiernas estén bien fijados.



Figura 8 *Ajuste del ángulo del reposapiés*

3.4.4 Altura del tapón inclinador

1. Mantener pulsado el botón de resorte (63).
2. Deslizar el tapón inclinador (64) hacia dentro/fuera del tubo del bastidor.
3. Soltar el botón de resorte.
4. Repetir el proceso con el otro tapón inclinador. Asegurarse de que ambos tapones inclinadores están bien fijados.

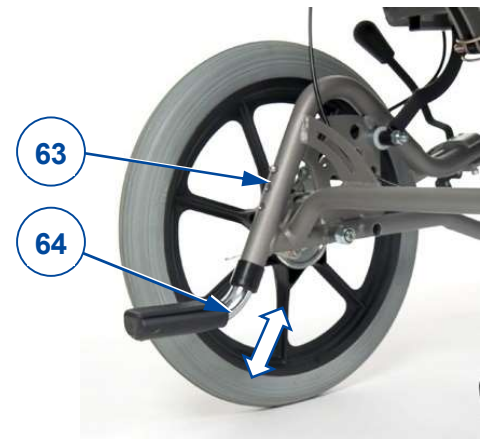


Figura 9 *Ajuste de la altura del tapón inclinador*

3.5 Conducción

- i** En función de su estado de salud y el tipo de silla, el usuario podrá circular con la silla de ruedas por su cuenta o hacerlo con ayuda de un auxiliar.

⚠ PRECAUCIÓN Riesgo de aprisionamiento

- Conviene tener cuidado de no pillarse los dedos con los radios de las ruedas.
- Evitar pillarse las manos con los aros propulsores cuando esté atravesando espacios muy estrechos.
- Cuando maneje la silla un auxiliar, mantener los brazos alejados de las ruedas y los pies sobre el reposapiés.

⚠ PRECAUCIÓN Riesgo de lesiones y daños

- NO conducir en pendientes, obstáculos, escalones o bordillos de mayor tamaño que los descritos en las especificaciones técnicas del capítulo 5.
- No circular con la silla de ruedas entre el tráfico, mantenerse siempre en la acera.
- No manipular los aros propulsores con las manos mojadas.
- Prestar atención a la carretera para detectar baches o grietas que en los que puedan quedar atrapadas las ruedas.
- Evitar las piedras u otros objetos que puedan bloquear las ruedas.
- Tener siempre en cuenta el alcance de giro del reposapiés para evitar lesionar a otras personas o dañar objetos.
- Antes de cada uso, asegurarse de que:
 - todos los ajustes de piezas están bien fijados, véase 3.4.
 - los frenos de estacionamiento funcionan adecuadamente.
 - los neumáticos están en buen estado, véase sección 4.

3.5.1 Circular con un auxiliar

1. Soltar los frenos o hacer que los suelte el auxiliar mientras sujeta la silla de ruedas para evitar que se mueva, véase sección 3.1 o §3.2.
2. El auxiliar agarra la barra de empuje o las empuñaduras para empujar la silla de ruedas en la dirección deseada.
3. Al detenerse, accionar los frenos mientras se mantiene la silla de ruedas fija en el mismo sitio, véase 3.1 o 3.2.

3.5.2 Circular por cuenta propia

1. Soltar los frenos de estacionamiento uno a uno, véase 3.1.
2. Mover las manos hacia la parte superior de ambos aros propulsores.
3. Inclinarsse hacia adelante y empujar/girar los aros propulsores hacia adelante hasta que los brazos queden rectos.

4. Con los brazos sueltos, poner las manos de nuevo en la parte más alta de los aros y repetir el movimiento de empuje.
5. Para detenerse: esperar hasta que la silla de ruedas se detenga y moverse hacia adelante/atrás con ayuda de los aros propulsores. Soltar los frenos de estacionamiento uno a uno, véase 3.1.

ES

3.5.3 Conducción en pendiente

 **PRECAUCIÓN** Riesgo de lesiones

- Si el auxiliar no tiene suficiente fuerza como para controlar la silla de ruedas, dejar de circular y usar los frenos de inmediato.
 - Al detenerse en una pendiente (no muy inclinada), utilizar los frenos, puesto que la silla de ruedas puede empezar a moverse de repente.
1. Adoptar una postura segura en la silla de ruedas con un cinturón de seguridad.
 2. Pedir ayuda a un auxiliar o un viandante.
 3. Circular lentamente y en línea recta. Inclinar ligeramente hacia adelante (A/B) al subir la pendiente. Inclinar hacia atrás, contra el respaldo, al bajar la pendiente.
 4. Nunca echar marcha atrás en una cuesta.

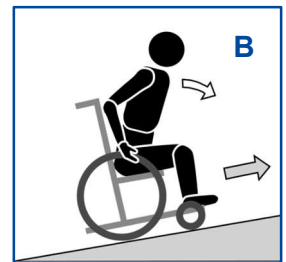


Figura 10 *Subir una pendiente*

3.5.4 Uso de rampas

 **PRECAUCIÓN** Riesgo de lesiones por vuelco

- Sólo utilizar rampas homologadas por Vermeiren y no exceder su capacidad de carga máxima.
 - Asegurarse de que la silla de ruedas no toca el suelo o la rampa debido a la inclinación de la silla de ruedas.
 - Utilizar rampas solo con la ayuda de uno o dos auxiliares.
1. Ajustar la posición del respaldo, el asiento y el reposapiés para reducir el volumen de la silla de ruedas y aumentar la estabilidad durante la inclinación.
 2. Retirar los reposapiés, véase sección 2.4.5.
 3. Seguir las instrucciones de la sección 3.5.3.

3.5.5 Utilizando escaleras

 **PRECAUCIÓN** Riesgo de lesiones por vuelco

- Las escaleras deben salvarse siempre con ayuda de dos auxiliares.
- No tratar nunca de utilizar escaleras que no estén diseñadas para sillas de ruedas.

Para usar las escaleras mientras el usuario esté sentado en la silla de ruedas, seguir estas instrucciones:

Figura 11 *Utilizando escaleras*

1. Retirar los reposapiés, véase sección 2.4.5.
2. Un auxiliar inclina levemente la silla de ruedas hacia atrás utilizando las empuñaduras.
3. El segundo auxiliar agarra la silla de ruedas en la parte delantera del bastidor, sujetando ambos lados de la silla de ruedas.
4. Se recomienda mantener la calma, evitar movimientos bruscos y no sacar los brazos de la silla de ruedas.
5. Ambos auxiliares elevan la silla de ruedas y la deslizan peldaño a peldaño mientras las ruedas traseras van bajando por ellos.
6. Después de usar las escaleras, montar los reposapiés en su sitio, véase sección 2.4.4.



3.5.6 Superación de obstáculos



PRECAUCIÓN

Riesgo de lesiones por vuelco

- Pedir siempre asistencia a uno o dos auxiliares.
- Asegurarse de que los reposapiés no chocan contra el suelo cuando esté atravesando un obstáculo. Si es necesario, retirar los reposapiés.
- No utilizar la silla de ruedas en escaleras mecánicas.
- Si está disponible, utilizar el cinturón de seguridad.

Bordillos bajos (subida o bajada)

Estos bordillos deben bajarse o subirse circulando hacia delante (E/F) con ayuda de un auxiliar:

1. El auxiliar aproxima la silla de ruedas de frente al bordillo. Asegurarse de que los reposapiés no toquen los bordillos.
2. Inclinarsse hacia atrás para reducir la presión sobre las ruedas delanteras.
3. El auxiliar sujeta las empuñaduras con firmeza al tiempo que va avanzando. Si hace falta, el auxiliar utilizará el tapón inclinador para mantener las ruedas delanteras elevadas hasta sobrepasar el bordillo.
4. El auxiliar va soltando poco a poco las empuñaduras y el tapón inclinador hasta que las ruedas delanteras tocan el suelo.
5. Después, el auxiliar sujeta las empuñaduras con firmeza mientras empuja la silla de ruedas para que las ruedas traseras suban/bajen el bordillo.

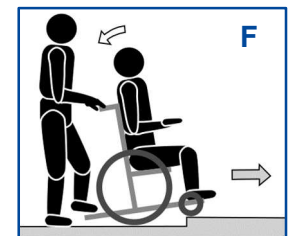
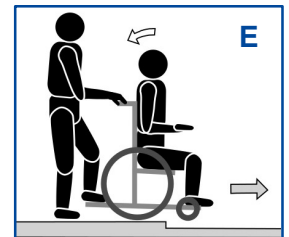


Figura 12 *Subir y bajar de bordillos bajos con un auxiliar*

Bordillos de tamaño medio (subida o bajada)

Estos bordillos deben bajarse o subirse circulando hacia atrás con ayuda de un auxiliar:

1. El auxiliar pone la silla de ruedas marcha atrás para que las ruedas traseras se aproximen primero al bordillo (G/H).
2. Bajar: Inclinarsse hacia delante (G) para mover el centro de gravedad hacia la parte delantera.
Subir: El usuario se inclina hacia atrás (H) para mover el centro de gravedad hacia la parte trasera.
3. El auxiliar tira cuidadosamente de la silla de ruedas para subir/bajar del bordillo.



Figura 13 *Subir y bajar de bordillos de tamaño medio con un auxiliar*

Bordillos más altos

Para subir o bajar bordillos más altos, pero inferiores al tamaño máximo (véase sección 5), contar con la ayuda de dos auxiliares.

Bajar:

1. Retirar los reposapiés.
2. El auxiliar aproxima la silla de ruedas de frente al bordillo.
3. Inclinarsse hacia atrás para reducir la presión sobre las ruedas delanteras.
4. Un auxiliar sujeta las empuñaduras con firmeza y utiliza el tapón inclinador para mantener las ruedas delanteras elevadas hasta sobrepasar el bordillo.
5. El otro auxiliar sujeta la parte delantera del bastidor y se mueve hacia atrás a medida que tira hasta que las ruedas traseras bajan del bordillo.
6. El primer auxiliar va soltando poco a poco las empuñaduras y el tapón inclinador hasta que las ruedas delanteras tocan el suelo.

Subir:

1. Retirar los reposapiés.
2. Un auxiliar pone la silla de ruedas marcha atrás para que las ruedas traseras se aproximen primero al bordillo.
3. El usuario se inclina hacia atrás para mover el centro de gravedad hacia la parte trasera.
4. El otro auxiliar sujeta la parte delantera del bastidor y se mueve hacia atrás a medida que empuja/tira hasta que las ruedas traseras suben al bordillo. El primer auxiliar eleva y sujeta con firmeza las empuñaduras para evitar que la silla de ruedas se vuelque.

3.6 Utilización del mando



PRECAUCIÓN

Riesgo de lesiones o daños

- Solo un usuario capaz o su personal autorizado y formado pueden manejar el mando.
- Téngase en cuenta que la estabilidad se reduce cuando la silla de ruedas se cambia de una posición de sentado recta a una inclinada.



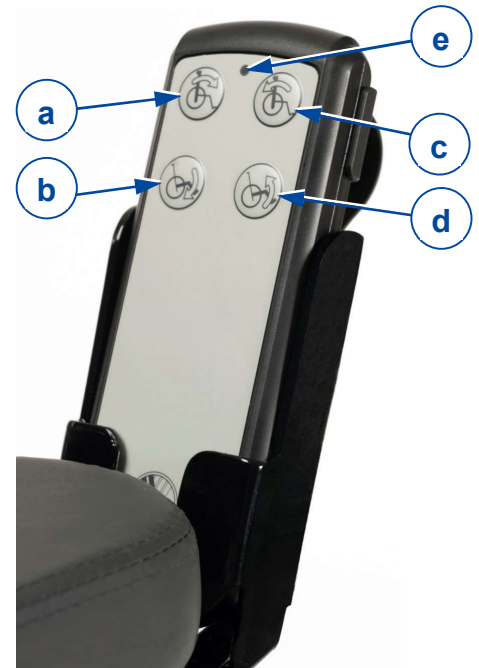
PRECAUCIÓN

Riesgo de daños

- Asegurarse de que hay suficiente espacio alrededor de la silla de ruedas para manejar el respaldo y el asiento.
- Asegurarse de que ningún objeto se quede atrapado entre las piezas móviles.

La silla de ruedas viene suministrada con un mando para manejar las piezas móviles. Siga estos pasos:

1. Accionar los frenos de estacionamiento, véase sección 3.1.
2. Conectar el cable de alimentación a la toma de corriente de 220/230 V CA.
3. Esperar al menos 15 segundos. El indicador luminoso (e) se encenderá.
4. Para manejarlo, mantenga pulsado uno de los botones (a - d).
5. Para detener el movimiento, soltar el botón.



Botones:

- (a) Respaldo: elevar el asiento a una posición de sentado recta
- (b) Asiento: bajar a posición de sentado
- (c) Respaldo: bajar a posición reclinada
- (d) Asiento: elevar a posición reclinada

Figura 14 *Mando en su soporte*

Para más información sobre los ángulos de inclinación del respaldo y el asiento, véase el capítulo 5.

3.7 Estado de la batería y su recarga

**AVISO**

Riesgo de lesiones y daños por incendio

- Usar exclusivamente el adaptador de potencia suministrado con la silla de ruedas. La utilización de cualquier otro cargador puede ser peligrosa (riesgo de incendio).
- El adaptador de potencia está diseñado exclusivamente para cargar la batería suministrada con la silla de ruedas y no debe utilizarse para cargar otras baterías.
- No modificar ninguna de las piezas suministradas como cables, conectores o el adaptador de potencia. No abrir o cambiar nunca la batería o los puntos de conexión.
- Proteger la batería y el adaptador de potencia de las llamas, las temperaturas altas (>45 °C), la humedad, la luz del sol y los golpes fuertes (p. ej. caídas). NO usar la batería si se ha visto sometida a alguna de estas circunstancias.
- Cargar la batería con el adaptador de potencia, en una estancia cerrada y bien ventilada, fuera del alcance de los niños. No utilizar regletas ni cables de extensión para la carga.

**PRECAUCIÓN**

Riesgo de daños

- Léanse las instrucciones de almacenamiento y mantenimiento en la sección 4.1 y los datos técnicos en el capítulo 5.
- Nunca descargar completamente la batería.
- No interrumpir el ciclo de carga; sólo desconectar el cargador de batería cuando la batería está completamente cargada.
- La vida útil de la batería se reduce si se expone a temperaturas extremadamente frías durante un periodo de tiempo largo.
- Mantener el punto de conexión del adaptador de potencia libre de polvo o cualquier otro tipo de suciedad.
- Usar el adaptador de potencia directamente en la toma de alimentación (sin temporizador).
- Si hubiera algún problema que impidiera cargar la batería según las siguientes instrucciones, póngase en contacto con su distribuidor especializado.
- Debido a la corriente de reposo, la batería se descargará sola si la silla de ruedas no se utiliza durante una temporada. Por tanto, es recomendable cargar la batería regularmente aun así.

3.7.1 Estado de la batería

El indicador luminoso (65) de la carcasa de la batería muestra el estado de la capacidad de la batería según los códigos que se indican en la tabla 1.

Figura 15 *Ubicación de la batería en la silla de ruedas*

65



Tabla 1: Código de indicador de batería

Código indicador	Significado
VERDE, luz fija	La batería está conectada a la fuente de alimentación y se está cargando con normalidad (capacidad entre 70 % y 100 %). <ul style="list-style-type: none"> Mantener la batería conectada a la fuente de alimentación hasta que esté cargada por completo.
VERDE, se enciende y se apaga rápidamente; 1 segundo encendida, 1 segundo apagada	La batería está conectada a la fuente de alimentación y se está cargando con normalidad (capacidad inferior a 70 %). <ul style="list-style-type: none"> Mantener la batería conectada a la fuente de alimentación hasta que esté cargada por completo.
VERDE, se enciende y se apaga lentamente; medio segundo encendida, 4 segundos apagada	Descarga normal de la batería (capacidad de la batería entre el 25 % y el 100 %)
NARANJA, se enciende y se apaga lentamente; medio segundo encendida, 4 segundos apagada	Hay que cargar la batería (capacidad por debajo del 25 %). <ul style="list-style-type: none"> Cargar la batería.
NARANJA, luz fija	Avería. Es posible que la batería esté desconectada o que haya algún problema eléctrico. <ul style="list-style-type: none"> Póngase en contacto con su distribuidor especializado para recibir asistencia o cambiarla.
Indicador luminoso apagado	La protección de la batería se aplica y el funcionamiento de la silla se bloquea/detiene cuando: <ul style="list-style-type: none"> Se produce una sobrecorriente más de 10 segundos La baja tensión puede producir una sobredescarga. Esto se produce cuando la capacidad de la batería es inferior al 20 %. <ul style="list-style-type: none"> Cargar la batería.

3.7.2 Cargar la batería

Para cargar la batería:

- Conectar PRIMERO el adaptador de corriente a una toma de corriente de 230 V CA. El indicador (66) se encenderá (luz verde) para indicar que el adaptador tiene suministro eléctrico. En caso contrario, no utilizar el cargador y contactar con el distribuidor especializado.
- Enchufar la toma del adaptador (67) al enchufe (68) del punto de carga, véase Figura 16. Asegurarse de que la hendidura del enchufe encaja con el saliente que hay en el interior de la toma.
- Esperar a que el indicador de batería (66) se ponga verde (capacidad por encima del 70 %) y dejar cargando durante 10 horas.
- Desconectar el adaptador de potencia.
- Retirar el adaptador de potencia de la toma, dejar que se enfríe y guardar en el bolsillo correspondiente sin contacto con la humedad.





Figura 16 *Ubicación del punto de conexión*

- i** En función del estado de la batería, tendrá que estar cargando entre al menos 10 horas hasta 24 horas o más cuando se haya descargado a menos de 25 % de su capacidad. Las cargas prolongadas no dañan la batería. El proceso de recarga puede detenerse o iniciarse en cualquier momento siguiendo las susodichas instrucciones.

4 Mantenimiento

La silla de ruedas requiere un mantenimiento mínimo, pero se aconseja inspeccionarla regularmente para una conducción libre de problemas durante años.

4.1 Puntos de mantenimiento



PRECAUCIÓN

Riesgo de lesiones y daños

Cualquier reparación o cambios sólo pueden llevarse a cabo por personal debidamente cualificado y sólo pueden utilizarse piezas de recambio Vermeiren originales.

i La última página de este manual contiene un formulario de registro para que el distribuidor especializado pueda registrar cada mantenimiento.

La frecuencia de los mantenimientos depende de la frecuencia e intensidad de uso. Póngase en contacto con su distribuidor para acordar un horario común para realizar inspecciones, mantenimientos y reparaciones.

Antes de cada uso

Inspeccionar los siguientes aspectos:

- Todas las piezas: Presentes y sin daños o desgastes.
- Todas las piezas: Limpieza, véase sección 4.2.2.
- Ruedas, asiento, reposapiernas, reposabrazos, reposapiés, paletas de reposapiés y reposacabezas (si corresponde): Bien asegurados.
- Estado de la batería: Cambiar la batería cuando sea necesario, véase sección 3.7.
- Mando, batería, caja de conexiones, motor, adaptador de potencia y cables: No existen daños como cables deshilachados, rotos, o expuestos.
- Estado de las ruedas/los neumáticos, véase sección 4.2.1.
- Estado de los frenos, véase sección 4.2.1.
- Estado del bastidor: Sin deformaciones, inestabilidad, debilidad o conexiones sueltas
- Asiento, respaldo, almohadillas para los brazos y para las piernas, reposacabezas (si corresponde): Sin desgastes excesivos (como abolladuras, daños o grietas).

Póngase en contacto con su distribuidor especializado para posibles reparaciones o cambio de piezas.

Cada seis meses

Aunque se almacene la silla de ruedas durante un periodo de tiempo largo, se deben recargar las baterías cada 6 meses durante al menos 24 horas. Para más información, véase sección 3.5.

Anualmente o más regularmente

La silla de ruedas debe pasar por inspección y mantenimiento realizados por el distribuidor especializado por lo menos una vez al año, o más a menudo. La frecuencia mínima de mantenimiento depende del uso y debe, por tanto, acordarse mutuamente con el distribuidor especializado.

Si está almacenado

Asegurarse de que la silla de ruedas se almacena en un lugar seco para evitar el crecimiento de moho o que se dañe la tapicería.

4.2 Instrucciones de mantenimiento

4.2.1 Ruedas y neumáticos

- i** El funcionamiento debido de los frenos depende del estado de los neumáticos, el cual puede cambiar debido al desgaste o la suciedad (agua, aceite, barro...).
- Mantener las ruedas libres de cables, pelos, arena y fibras de alfombras.
 - Comprobar el perfil de los neumáticos. Si la profundidad del dibujo es de menos de 1 mm, deben sustituirse los neumáticos. Póngase en contacto con su distribuidor especializado para este asunto.

4.2.2 Limpieza

 PRECAUCIÓN Riesgo de daños por humedad

- Mantener el mando limpio y protegerlo del agua y la lluvia.
- No utilizar nunca una manguera o un limpiador a alta presión para limpiar la silla de ruedas.

Limpiar todas las piezas rígidas de la silla de ruedas con un paño húmedo (no empapado). Si fuera necesario, utilizar un jabón suave que sea apto para limpiar superficies barnizadas y sintéticas.

La tapicería puede limpiarse con agua templada y jabón suave. No utilizar productos de limpieza abrasivos.

4.2.3 Desinfección

 PRECAUCIÓN Riesgo de daños

La desinfección sólo puede llevarla a cabo personal debidamente cualificado. Consulte con su distribuidor especializado al respecto.

4.3 Resolución de problemas

Aunque se utilice la silla de ruedas de la manera indicada, pueden surgir a veces problemas técnicos. En ese caso, póngase en contacto con su distribuidor especializado.

 AVISO Riesgo de lesiones y daños a la silla de ruedas

- No intentar NUNCA reparar la silla de ruedas por su cuenta.

Los siguientes síntomas pueden significar un problema grave. Se recomienda, por tanto, ponerse en contacto con su distribuidor especializado si nota los siguientes problemas:

- Ruidos extraños;
- Juegos de cables deshilachados/dañados;
- Conectores agrietados o rotos;
- La fuente de alimentación de la silla de ruedas funciona, pero el manejo del mando no da ningún resultado, véase sección 3.7.

4.4 Vida útil prevista

La vida útil media de la silla de ruedas es de 5 años. La vida útil aumentará o disminuirá dependiendo de la frecuencia de uso, las circunstancias de conducción y el mantenimiento.

4.5 Fin de vida útil

Al final de la vida útil, deberá desechar la silla de ruedas siguiendo las leyes medioambientales de su localidad. Para transportar materiales reciclables de la silla de ruedas de manera más cómoda, se recomienda que se desmonte primero.

5 Especificaciones técnicas

Los datos técnicos expuestos a continuación son sólo válidos para esta silla de ruedas, con configuración estándar y en condiciones ambientales óptimas. Tener en cuenta estos datos durante la utilización de la silla para ducha.

Los valores aquí expuestos dejarán de ser aplicables si la silla de ruedas ha sido modificada, se ha dañado, o sufre de un desgaste intenso.

Tabla 2: Especificaciones Técnicas

Marca	Vermeiren	
Tipo	Silla de ruedas	
Modelo	Inovys II-E	
Descripción	Dimensiones de todas las configuraciones	
Peso máx. del usuario	135 kg	
Estabilidad estática cuesta abajo	10° **	
Estabilidad estática cuesta arriba	15° **	
Estabilidad estática lateral	12° **	
Subida de obstáculos	60 mm	
Descripción	Min.	Máx.
Longitud total con reposapiés (depende del ajuste de la profundidad del asiento)	1050 mm	1090 mm
Longitud desmontada sin reposapiés (depende del ajuste de la profundidad del asiento)	830 mm	870 mm
Altura total (sin reposacabezas)	990 mm	1060 mm
Altura desmontada (con respaldo plegado, sin reposabrazos)	710 mm	780 mm
Ángulo plano del asiento	0°	+21°
Profundidad efectiva del asiento	460 mm	520 mm
Altura de la superficie del asiento desde el borde delantero (con cojín)	460 mm	530 mm
Ángulo del respaldo	0°	+54°
Altura del respaldo	550 mm	585 mm
Distancia entre el reposapiés y el asiento	400 mm	570 mm*
Ángulo de paleta de reposapiés	80°	100°
Ángulo entre asiento y reposapiés	104°	194°
Distancia entre la paleta del reposapiés y el asiento	220 mm	320 mm
Ubicación frontal de estructura de reposabrazos	460 mm	490 mm
Descripción	Dimensiones por configuración	
Diámetro de ruedas traseras	16" (T30) con frenos de tambor	24"
Diámetro del aro propulsor	NA	535 mm
Ancho efectivo del asiento	400 mm	500 mm
Anchura total (depende el ancho del asiento)	630 mm	730 mm
Anchura desmontada (sin reposabrazos)	600 mm	700 mm
Anchura de reposapiés (mínimo - máximo)	44-46 mm	48-50 mm
Diámetro de ruedas directrices	200 mm	200 mm

Ubicación horizontal del eje (desviación)	-8 mm - 41 mm	-4 mm - 42 mm
Peso total	41,7 kg	40,9 kg
Peso de la parte más pesada	27,1 kg	22,9 kg
Peso de las piezas desmontables		
Reposapiés	4,80 kg	4,80 kg
Reposabrazos	3,8 kg	3,8 kg
Ruedas traseras	NA	3,6 kg
Respaldo	3,6 kg	3,6 kg
Batería	2,2 kg	2,2 kg
Radio de giro (diámetro)	1520 mm	1620 mm
Descripción	Especificaciones de todas las configuraciones	
Pruebas de resistencias de conformidad con	ISO 7176-8	
Inflamabilidad de la tapicería de acuerdo con	ISO 7176-16	
Conformidad EMC	ISO 7176-21 / EN 61000-3-2 y EN 61000-3-3	
Adaptador de potencia / Transformador	Entrada: 100-240 V CA, 50/60 Hz Máxima potencia: 29V CC, 2,5A Grado de protección: IP66 Ciclo de trabajo: 2 min encendido / 18 min apagado	
Batería	Capacidad: 1,2 Ah Entrada: 29~45 V CC Salida: 24 V CC, 1,2 A Grado de protección: IP66 Ciclo de trabajo: 10 % (2 min encendido / 18 min apagado)	
Motor (2x)	Capacidad: 1500N Velocidad del motor: 2200RPM 2200 RPM Umax 24 V CC; I _{max} . 2,2 A Grado de protección: IP66, Ciclo de trabajo: 10 % (máx. 2 min encendido / 18 min apagado)	
Mando	Grado de protección: IP66	
Temperatura de uso y almacenamiento (batería)	+ 5 °C ~ + 45 °C	
Humedad de almacenamiento y uso	30% ~ 70%	
Nos reservamos el derecho a introducir cambios técnicos. Tolerancia dimensional ± 15 mm / 1,5 kg / 1,5°.		
(*) No ajustar el reposapiés en la longitud máxima para evitar que toque el suelo.		
(**) Testado con la configuración estándar		
NA No aplicable		

Spis treści

Wstęp	2
1 Twój produkt	3
1.1 Opis	3
1.2 Akcesoria	4
2 Przed użyciem	5
2.1 Przewidziane zastosowanie	5
2.2 Ogólne instrukcje bezpieczeństwa	5
2.3 Symbole na wózku inwalidzkim	5
2.4 Transport i (de)montaż	6
2.5 Pierwsze użycie i przechowywanie	11
3 Korzystanie z wózka inwalidzkiego	12
3.1 Hamulce postojowe (dotyczy tylko kół 22"/24")	12
3.2 Hamulce bębnowe (dotyczy tylko stałych kół 16")	12
3.3 Przesiadanie się na wózek/z wózka	13
3.4 Regulacje elementów mających wpływ na wygodę użytkownika	13
3.5 Jazda	15
3.6 Korzystanie z manipulatora	18
3.7 Stan akumulatora i ładowanie	18
4 Konserwacja	21
4.1 Punkty poddawane konserwacji	21
4.2 Instrukcje konserwacji	21
4.3 Diagnostowanie i rozwiązywanie problemów	22
4.4 Oczekiwany okres użytkowania	22
4.5 Koniec użytkowania	22
5 Parametry techniczne	23

Wstęp

Gratulacje! Zostałeś właścicielem wózka inwalidzkiego Vermeiren!

Wózek został stworzony przez zespół złożony z wykwalifikowanych i zaangażowanych pracowników. Zaprojektowano go i wyprodukowano zgodnie z wysokimi standardami jakości, jakich przestrzega Vermeiren.

Dziękujemy za zaufanie firmie Vermeiren i jej produktom. Niniejsza instrukcja pomoże właścicielowi w eksploatacji wózka inwalidzkiego i korzystaniu z jego opcji. Prosimy o uważne przeczytanie instrukcji obsługi. Pozwoli ona na zapoznanie się z działaniem, możliwościami i ograniczeniami wózka. W razie pytań, które nie zostały omówione w instrukcji, prosimy o kontakt z Państwem wyspecjalizowanym sprzedawcą. Sprzedawca chętnie posłuży pomocą.

Ważna uwaga

Aby zapewnić bezpieczeństwo i wydłużyć okres użytkowania produktu, prosimy o dbanie o niego oraz regularne dokonywanie przeglądów i serwisowanie. Gwarancja na produkt jest udzielona przy założeniu normalnego użytkowania i konserwacji, opisanych w niniejszej instrukcji. Uszkodzenie produktu spowodowane nieprawidłową eksploatacją lub brakiem konserwacji spowoduje unieważnienie gwarancji.

Instrukcja obejmuje najnowsze rozwiązania zastosowane w produkcie. Firma Vermeiren ma prawo do wprowadzania zmian w produktach tego typu bez obowiązku adaptowania lub wymiany podobnych, poprzednio dostarczonych produktów. Ilustracje produktu stanowią dodatkowe objaśnienia do instrukcji w niniejszym dokumencie. Szczegóły przedstawionego produktu mogą się różnić od rzeczywistego produktu posiadanego przez użytkownika.

Dostępne informacje

W naszej witrynie internetowej <http://www.vermeiren.com/> zawsze znajduje się najnowsza wersja informacji zamieszczonych w instrukcji. Prosimy regularnie odwiedzać witrynę, ponieważ możemy w niej zamieszczać zaktualizowane informacje.

Osoby z zaburzeniami wzroku mogą pobrać elektroniczną wersję niniejszej instrukcji i odsłuchać ją przy użyciu oprogramowania zamieniającego tekst na mowę.



Instrukcja użytkownika

Dla użytkownika i wyspecjalizowanego sprzedawcy



Instrukcja instalacji

Dla wyspecjalizowanego sprzedawcy



Instrukcja serwisowa do wózków inwalidzkich

Dla wyspecjalizowanego sprzedawcy

1 Twój produkt

1.1 Opis

Wózek inwalidzki Inovys II-E charakteryzuje się łatwą obsługą. Jest przeznaczony do użytku w pomieszczeniach i na otwartym powietrzu. Dzięki możliwości składania do niewielkich rozmiarów jest również łatwy w przechowywaniu. Wózek jest dostępny w wielu różnych rozmiarach. Można go łatwo rozbudować o opcjonalne części, aby zwiększyć wygodę użytkownika. Na poniższym rysunku przedstawiono wszystkie części istotne z punktu widzenia użytkownika. Jeśli ma to zastosowanie, wymienione części są opisane w rozdziale na temat obsługi i konserwacji.

PL

i Przed rozpoczęciem korzystania z wózka inwalidzkiego należy sprawdzić szczegóły techniczne i ograniczenia występujące przy typowej eksploatacji — patrz rozdział 5.



Ilustracja 1 **Ważne części**

- | | | |
|----------------------------|------------------------|--------------------------------------|
| 1. Zagłówek (opcjonalny) | 7. Pasek na nogi (2x) | 13. Koło tylne (2x) |
| 2. Oparcie | 8. Podnóżek (2x) | 14. Ciąg (2x) |
| 3. Poduszka podłokietnika | 9. Podłokietnik (2x) | 15. Rączka do pchania z chwytem (2x) |
| 4. Manipulator | 10. Hamulec (2x) | 16. Podpora zagłówek (opcjonalna) |
| 5. Podnóżek (2x) | 11. Koło przednie (2x) | |
| 6. Podpórka pod stopy (2x) | 12. Rama | |



Ilustracja 2 *Ważne części, cd.*

- 17. Uchwyt manipulatora
- 18. Siedzisko
- 19. Akumulator
- 20. Silnik
- 21. Panel boczny (2x)
- 22. Pałak do pchania
- 23. Dźwignia przechyłu (2x)
- 24. Umieszczenie tabliczki identyfikacyjnej

1.2 Akcesoria

Do wózka Inovys II-E są dostępne następujące akcesoria:

- Drewniany stolik (B12)
- Zagłówek (L55, L58)
- Pas bezpieczeństwa (B58)
- Klin poziomy (B22)
- Podłokietniki dla hemiplegików (B66)

Aby dowiedzieć się więcej, skontaktuj się z wyspecjalizowanym sprzedawcą.

2 Przed użyciem

2.1 Przewidziane zastosowanie

W niniejszej sekcji przedstawiono krótki opis przewidzianego zastosowania wózka inwalidzkiego. W pozostałych sekcjach instrukcje zostały opatrzone istotnymi ostrzeżeniami. W ten sposób chcemy zwrócić uwagę użytkowników na możliwość nieprawidłowej eksploatacji produktu.

- Niniejszy wózek inwalidzki jest przeznaczony do użytku w pomieszczeniach i na zewnątrz.
- Niniejszy wózek inwalidzki jest zaprojektowany i produkowany w celu transportu wyłącznie jednej (1) osoby ważącej maksymalnie 135 kg. Nie jest przeznaczony do transportu towarów, przedmiotów ani innego wykorzystania niż wcześniej opisane.
- Zależnie od typu kół, wózek inwalidzki może obsługiwać asystent lub sam użytkownik siedzący na wózku. NIE WOLNO używać wózka inwalidzkiego bez pomocy asystenta, jeśli użytkownik cierpi na zaburzenia fizyczne lub psychiczne, które mogłyby narazić użytkownika lub inne osoby na niebezpieczeństwo podczas jazdy na wózku. Z wymienionych powodów należy przed rozpoczęciem użytkowania wózka zasięgnąć porady lekarza i upewnić się, że wyspecjalizowany sprzedawca zapoznał się z jego poradą.
- Wózek nie jest przeznaczony do używania go jako siedziska w pojeździe silnikowym.
- Należy używać wyłącznie akcesoriów i części zapasowych zatwierdzonych przez Vermeiren.

Należy się zapoznać z wszystkimi danymi technicznymi i ograniczeniami wózka, które są podane w §7.

2.2 Ogólne instrukcje bezpieczeństwa

 **UWAGA** Ryzyko obrażeń i/lub uszkodzeń

Należy przeczytać zalecenia podane w niniejszej instrukcji i postępować zgodnie z nimi. Niestosowanie się do tych zaleceń może spowodować uraz lub uszkodzenie wózka inwalidzkiego.

Podczas eksploatacji należy pamiętać o następujących ogólnych ostrzeżeniach:

- Nie używać wózka, jeśli użytkownik jest pod wpływem alkoholu, leków i innych substancji, które mogą mieć wpływ na zdolność jazdy. Dotyczy to również asystenta obsługującego wózek.
- Pamiętaj, że niektóre części wózka inwalidzkiego mogą stać się bardzo gorące lub zimne ze względu na temperaturę otoczenia, promieniowanie słoneczne lub urządzenia grzewcze. Dotykając ich, należy zachować ostrożność. Gdy jest zimno, należy nosić odzież ochronną. W przypadku jazdy na otwartym powietrzu warto zakładać rękawiczki do jeżdżenia, aby lepiej chwytać ciągi.
- Przestrzegaj instrukcji konserwacji i serwisu. Producent nie odpowiada za szkody spowodowane przez nieprawidłowe serwisowanie/konserwację.

2.3 Symbole na wózku inwalidzkim

Do wózka inwalidzkiego mają zastosowanie symbole z następującej listy. Symbole można znaleźć w odnośnych normach ISO (ISO 7000, ISO 7001 i IEC 417).



Maksymalna masa użytkownika w kg



Do użytku na zewnątrz/w pomieszczeniach (z wyjątkiem akumulatora i zasilacza)



Tylko do użytku w pomieszczeniach (dotyczy akumulatora i zasilacza)



Maksymalne bezpieczne nachylenie terenu w ° (stopniach).



Prędkość maksymalna



Nie jest przeznaczony do używania go jako siedziska w pojeździe silnikowym.



Oznaczenie typu

2.4 Transport i (de)montaż

2.4.1 Przesuwanie na bok

Przesuń wózek, przetaczając go na inne miejsce. Jeśli nie jest to możliwe, a rozmontowanie nie wchodzi w grę, poproś o pomoc w podniesieniu wózka. Mocno chwyć ramę obiema rękami, podnieś z podłogi. Nie chwytaj wózka za podnóżki, podłokietniki ani koła.

2.4.2 Transport drogą lotniczą

Wózek jest wyposażony w akumulator kwasowo-ołowiowy, dlatego nie jest możliwy transport wózka (w całości) drogą lotniczą. Jeśli musi być użyty transport lotniczy, należy się skonsultować z pracownikami linii lotniczej przed zarezerwowaniem lotu. Można też wymontować akumulator, a po przybyciu na miejsce kupić nowy. Informacji w tej kwestii udzieli wyspecjalizowany sprzedawca.

2.4.3 Transport w pojeździe



OSTRZEŻENIE Ryzyko obrażeń

- NIE UŻYWAJ wózka jako siedziska w pojeździe, patrz symbol.
- Nigdy nie przypinaj wózka i pasażera tym samym pasem bezpieczeństwa.



1. Przy użyciu manipulatora ustaw z powrotem wózek w pozycji do siedzenia, patrz §3.6.
2. Rozmontuj wózek i podnieś go, aby włożyć go do samochodu, zgodnie z instrukcjami w §2.4.4.
3. Wózek i jego części włóż do bagażnika. Jeśli bagażnik i kabina pasażerów nie są oddzielone lub zamknięte, mocno i bezpiecznie przypnij ramę wózka do pojazdu.



Aby wepchnąć wózek do pojazdu, możesz użyć rampy, patrz 3.5.4.
Po załadowaniu zaciśnij hamulce postojowe, patrz §3.1.

2.4.4 Montaż



UWAGA Ryzyko obrażeń i uszkodzeń

- Upewnij się, że podczas montażu palce, ubrania, klamry itp. nie zostaną pochwycone i nie zakleszczą się między częściami.
- Zawsze pamiętaj o zasięgu wychylenia podnóżka, aby nie potrącić i nie poranić ludzi ani nie uszkodzić innych obiektów.
- Przed użyciem zawsze się upewnij, że wszystkie zmontowane części są prawidłowo zabezpieczone.



Ilustracja 3 *Rama podstawy Inovys II-E z kołami 16'' i 24'' – zdemontowane części*



[1]

- Ustaw wózek wszystkimi czterema kołami na podłożu.
- Rozłóż ramę oparcia (34) do położenia otwartego.



[2]

- Zamocuj przód silnika do ramy oparcia za pomocą zawleczki mocującej (33), i zamknij jej zaczep.
- Upewnij się, że rama oparcia jest mocno i prawidłowo połączona z silnikiem.

PL



[3]

- Zawieś oparcie z czterema śrubami w czterech zaczepach (35) ramy oparcia.
- Dokręć dwa górne guziki gwiazdkowe (36) ręką.
- Upewnij się, że oparcie jest prawidłowo założone.



[4]

- Obróć pokrętło blokujące (37) podporę podłokietnika w lewo i je wyjmij.
- Włóż podłokietnik (9) do podpory podłokietnika.
- Włóż pokrętło blokujące (37) i obróć je ręcznie w prawo aż do oporu.
- Upewnij się, że podłokietnik jest prawidłowo założony.
- Powtórz z drugim podłokietnikiem.



[5]

- Trzymając podnóżek (5) odchylony w bok, zawieś go na podporze podnóżka (39). Upewnij się, że otwór podnóżka (44) jest nałożony dokładnie na dolną część podpory, a trzpień podnóżka (38) jest włożony w górną podporę.
- Obróć podnóżek (5) do środka, aż zablokuje się w miejscu.
- Powtórz z drugim podnóżkiem.



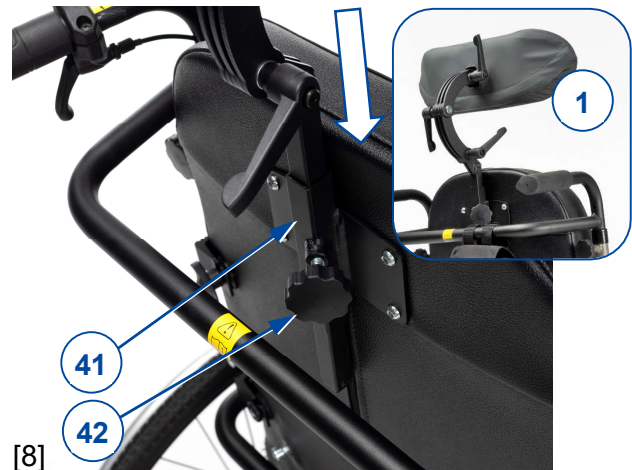
[6]

- Obróć podporzkę pod stopę (6) w dół.
- Powtórz z drugą podporzką.



[7]

- Odchyl podporę podpórki pod łydkę (40) do środka.
- Obróć podporę pod łydkę (8) do tyłu.
- Powtórz z drugą podporą pod łydkę.



[8]

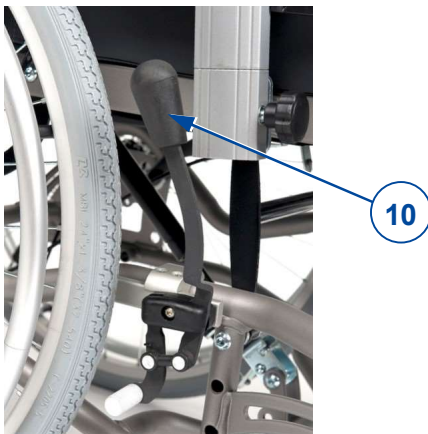
- (Jeśli dotyczy) zamontuj zagłówek (1), wsuwając czworokątną rurę w podporę zagłówka (41) na oparciu.
- Ręcznie dokręć pokrętło blokujące (42) do oporu.

Wózek jest teraz gotowy do użytku.

2.4.5 Demontaż

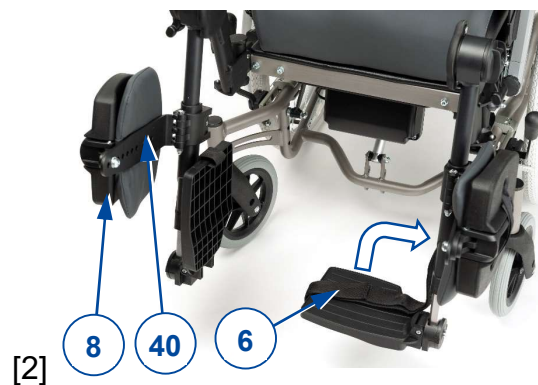
UWAGA Ryzyko obrażeń i uszkodzeń

- Upewnij się, że podczas demontażu palce, ubrania, klamry itp. nie zostaną pochwycone i nie zakleszczą się między częściami.
- Zawsze pamiętaj o zasięgu wychylenia podnóżka, aby nie potrącić i nie poranić ludzi ani nie uszkodzić innych obiektów.



[1]

- Zaciśnij oba hamulce postojowe za pomocą dźwigni hamulca (10), patrz §3.1.



[2]

- Zamknij podporę pod łydki (8) i obróć podporę podpórki pod łydki (40) na zewnątrz.
- Powtórz z drugą podporą pod łydkę.
- Obróć obie podpórki pod stopy (6) do góry.

PL



[3]

- Pociągnij dźwignię podnóżka (50) i odchyl podnóżek (5) na zewnątrz.
- Podnieś podnóżek, aby go wyjąć.
- Powtórz z drugim podnóżkiem.



[4]

- Obróć pokrętło blokujące (37) w lewo.
- Wyciągnij i przytrzymaj pokrętło blokujące, wyciągając podłokietnik (9) z podpory podłokietnika.
- Ponownie dokręć pokrętło blokujące (37).



[5]

- (Jeśli dotyczy) zdemontuj zagłówek (1):
 - Odkręć pokrętło blokujące (42) podpory zagłówka i je wyjmij.
 - Wyciągnij zagłówek w górę, aż wyjdzie z podpory w oparciu.



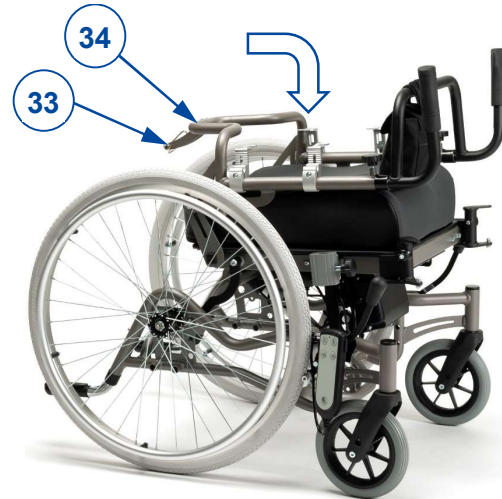
[6]

- Ręcznie odkręć dwa górne guziki gwiazdkowe (36) oparcia.
- Pociągnij oparcie w górę, aż wyjdzie z czterech zaczepów (35).



[7]

- Zdemontuj silnik z ramy oparcia, otwierając zaczep zawlecзки mocującej (33) i wyjmując ją.



[8]

- Opuść ramę oparcia (34) na siedzisko.
- Włóż z powrotem zawleczkę mocującą (33) do ramy.

PL

2.4.6 (De)montaż tylnych kół (dotyczy tylko 22"/24"):

Do celów transportu może się okazać konieczny (de)montaż tylnych kół.

Zdejmowanie tylnych kół:

1. Naciśnij i przytrzymaj przycisk (43), wyciągając oś koła z tulei osi.
2. Powtórz z drugim kołem i delikatnie postaw wózek na dźwigniach przechyłu.

Wkładanie tylnych kół:

1. Weź jedno z tylnych kół i przechyl wózek na bok.
2. Naciśnij i przytrzymaj przycisk (43), wsuwając oś koła do tulei osi.
3. Puść przycisk, aby zablokować koło.
4. Powtórz z drugim kołem. Sprawdź, czy oba koła są mocno zamocowane.



2.5 Pierwsze użycie i przechowywanie

UWAGA

Ryzyko uszkodzenia akumulatora

- Nie wolno dopuszczać do całkowitego rozładowania się akumulatora.
- Nie przerywaj cyklu ładowania. Ładowarkę odłącz dopiero, gdy akumulator będzie w pełni naładowany.
- Upewnij się, że wózek jest przechowywany w stanie suchym, aby zapobiec pleśnieniu i uszkodzeniom tapicerki.
- Szczegóły techniczne na temat przechowywania: patrz rozdział 5.

Przed rozpoczęciem użytkowania wózka inwalidzkiego upewnij się, że wszystkie połączenia baterii są podłączone i że akumulator jest w pełni naładowany. Skonsultować się ze sprzedawcą, który poinformuje, czy akumulator został już naładowany. Aby naładować, wykonać instrukcje ładowania w § 3.7.

3 Korzystanie z wózka inwalidzkiego

 **OSTRZEŻENIE** Ryzyko obrażeń

- Najpierw przeczytaj poprzednie rozdziały i zaznajom się z przewidzianym zastosowaniem. **NIE** używaj wózka, dopóki nie przeczytasz i nie zrozumiesz wszystkich instrukcji.
- W razie wątpliwości i pytań skontaktuj się z lokalnym wyspecjalizowanym sprzedawcą, opiekunem lub doradcą technicznym, który udzieli pomocy.

3.1 Hamulce postojowe (dotyczy tylko kół 22"/24")

 **UWAGA** Ryzyko obrażeń

- Dźwignię hamulca można obsługiwać tylko, gdy wózek jest zatrzymany.
- Jeśli użytkownik ma ograniczenia ruchowe, dźwignię hamulca powinien obsługiwać asystent.
- Przed zwolnieniem hamulców upewnij się, że wózek stoi na płaskiej poziomej powierzchni.
- Nigdy nie zwalniasz obu hamulców naraz.
- Regulację hamulców może wykonywać tylko wyspecjalizowany sprzedawca.

 **UWAGA** Ryzyko uszkodzenia

- Nie używaj hamulców postojowych, aby zwolnić ruch wózka podczas jazdy.

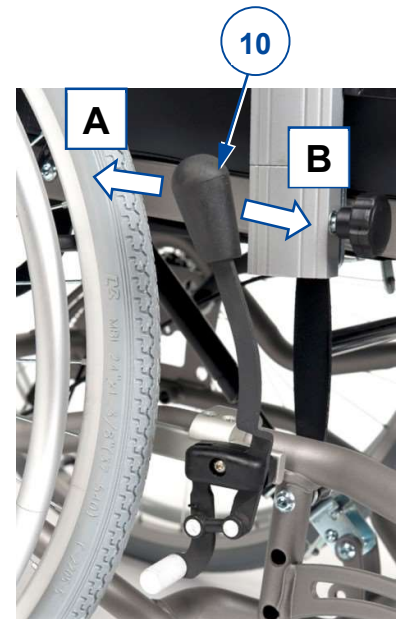
Wózek jest wyposażony w dwa hamulce postojowe obsługiwane ręcznie. Te hamulce służą do unieruchomienia zatrzymanego wózka.

Zwalnianie hamulców [A]:

1. Mocno chwycić jeden ciąg ręką (lub asystent trzyma pałąk do pchania jedną ręką)
2. Pociągnij dźwignię hamulca (10) DRUGIEGO koła DO TYŁU.
3. Powtórz z drugim kołem i hamulcem postojowym.

Zaciskanie hamulców [B]:

1. Mocno chwycić jeden ciąg ręką (lub asystent trzyma pałąk do pchania jedną ręką)
2. Popchnij dźwignię hamulca (10) DRUGIEGO koła DO PRZODU, aż do wyraźnego oporu i zablokowania.
3. Powtórz z drugim kołem i hamulcem postojowym.



Ilustracja 4 *Obsługa hamulców postojowych*

3.2 Hamulce bębnowe (dotyczy tylko stałych kół 16")

 **UWAGA** Ryzyko obrażeń

- Przed zwolnieniem hamulców upewnij się, że wózek stoi na płaskiej poziomej powierzchni.
- Nigdy nie zwalniasz obu hamulców naraz.
- Aby zaparkować lub się zatrzymać na zboczu, zaciśnij hamulce postojowe, gdy wózek stanie w miejscu.
- Regulację hamulców może wykonywać tylko wyspecjalizowany sprzedawca.

Obsługa hamulców bębnowych:

1. Pociągnij dźwignię hamulca (60), ściskając je.
2. Każdą dźwignię hamulca (60) można zablokować, popychając palcem dźwignię blokującą (61) w dół.
3. Zwolnij dźwignię hamulca (60).

Aby ruszyć z miejsca i jechać dalej:

1. Pociągnij dźwignię hamulca (60), ściskając je. Ten ruch zwolni dźwignię blokującą (61).
2. Mocno trzymaj za chwyt, zwalniając dźwignię hamulca (60).

Ilustracja 5 **Obsługa hamulców bębnowych**



3.3 Przesiadanie się na wózek/z wózka

 **UWAGA** Ryzyko obrażeń i uszkodzeń

- Jeśli użytkownik nie może się bezpiecznie przesiąść, powinien poprosić o pomoc.
- Podczas przesiadania się na wózek/z wózka nie należy stać na podpórkach pod stopy.

Przesiadanie się

1. Ustaw wózek możliwie najbliżej siebie, siedząc na krześle, kanapie, fotelu, łóżku itp.
2. Zaciśnij oba hamulce postojowe, aby uniemożliwić przemieszczenie, patrz §3.1.
3. Za pomocą manipulatora ustaw oparcie i siedzisko w położeniu siedzącym, patrz §3.6.
4. Złóż podpórki pod stopy w górę, aby na nich nie stanąć, lub obróć podnóżki na boki, aby zrobić miejsce na przesiadanie się.
5. W razie potrzeby wyjmij podłokietnik i/lub podnóżek z jednej strony (patrz §0).
6. Przesiądź się na wózek/z wózka samodzielnie, używając siły rąk. Możesz też użyć sprzętu do podnoszenia lub poprosić o pomoc asystenta.

Siedzenie na wózku

1. Siedź na siedzisku tak, aby dolna część pleców opierała się o oparcie.
2. Ponownie zamontuj podłokietnik i/lub podnóżek, jeśli są zdjęte.
3. Obróć podnóżki z powrotem do przodu, opuść podpórki pod stopy i postaw na nich stopy.
4. Upewnij się, że uda są położone poziomo, a stopy spoczywają w wygodnej pozycji; wyreguluj wózek zgodnie z instrukcjami w § 3.4.

3.4 Regulacje elementów mających wpływ na wygodę użytkownika

 **UWAGA** Ryzyko obrażeń i uszkodzeń

- Następujące regulacje elementów mających wpływ na wygodę użytkownika może przeprowadzać asystent lub pomocnik. Wszystkie pozostałe regulacje wykonuje wyspecjalizowany sprzedawca.
- Zawsze pamiętaj o zasięgu wychylenia podnóżka, aby nie potrącić i nie poranić ludzi ani nie uszkodzić innych obiektów.
- Upewnij się, że podczas regulacji palce, ubrania, kłamy itp. nie zostaną pochwycone i nie zakleszczą się między częściami.

3.4.1 Wysokość podłokietnika

Poduszki podłokietnika (3) wózka można ustawić na jednej z 6 wysokości:

1. Obróć pokrętło blokujące (45) w lewo, aby je odblokować.
2. Wyciągnij i przytrzymaj pokrętło blokujące, aby zwolnić wewnętrzną rurę podłokietnika (9).
3. Przesuń wewnętrzną rurę podłokietnika (9) w górę/w dół w podporze (46) na żądaną wysokość. Upewnij się, że otwory w rurze wewnętrznej i zewnętrznej są wyrównane względem siebie.
4. Dokręć pokrętło blokujące (45), obracając je w prawo.
5. Powtórz z drugim podłokietnikiem. Upewnij się, że podłokietniki są prawidłowo założone.



Ilustracja 6 Regulacja wysokości podłokietnika

3.4.2 Wysokość rączek/pałka do pchania

 UWAGA Ryzyko obrażeń

Zawsze używaj otworów regulacyjnych w rączce do pchania. Nigdy nie przekraczaj maksymalnej wysokości.

Rączki do pchania (16) i pałak do pchania (23) są połączone i można je ustawić na jednej z 7 wysokości:

1. Odkręć oba pokrętła blokujące (31) podpór rączek i je wyjmij.
2. Ustaw jednocześnie wysokość obu rączek do pchania, przesuwając je w górę/w dół w podporach. Upewnij się, że otwory w rurze wewnętrznej i zewnętrznej są wyrównane względem siebie.
3. Włóż oba pokrętła blokujące (31) w podpory i otwory regulacyjne.
4. Obróć ręką pokrętła blokujące w prawo aż do oporu.
5. Sprawdź, czy obie rączki do pchania są mocno zamocowane.



Ilustracja 7 Regulacja wysokości rączki do pchania

3.4.3 Kąt podnóżka

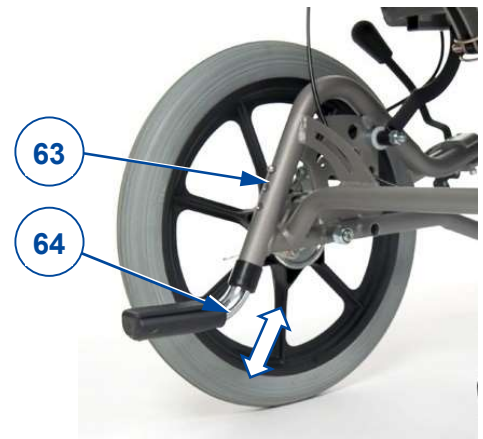
1. Zwolnij dźwignię (62) w punkcie obrotu.
2. Ustaw kąt podnóżka, podnosząc/opuszczając podpórki pod stopy (w zakresie 100° - 190°).
3. Mocno zaciśnij ręcznie dźwignię (62).
4. Powtórz z drugim podnóżkiem. Sprawdź, czy oba podnóżki są mocno zamocowane.



Ilustracja 8 Regulacja kąta podnóżka

3.4.4 Wysokość dźwigni przechyłu

1. Naciśnij i przytrzymaj przycisk ze sprężyną (63).
2. Wsuń/wysuń rurę dźwigni przechyłu (64) w rurę/z rury ramy.
3. Puść przycisk ze sprężyną.
4. Powtórz z drugą dźwignią przechyłu. Sprawdź, czy obie dźwignie przechyłu są mocno zamocowane.



Ilustracja 9 *Regulacja wysokości dźwigni przechyłu*

3.5 Jazda

- i** Zależnie od stanu zdrowia i typu wózka, możesz jechać samodzielnie lub poprosić asystenta, aby pchał wózek.

 **UWAGA** Ryzyko przycięcia

- Uważaj, aby palce nie wkręciły się w szprychy.
- Przy przejeżdżaniu przez wąskie przejścia uważaj, aby cięgi nie przytrzasnęły rąk.
- Gdy jedziesz z asystentem, trzymaj ręce z dala od kół, a stopy trzymaj na podpórkach.

 **UWAGA** Ryzyko obrażeń i uszkodzeń

- NIE jeździć po zboczach, przeszkodach, stopniach i krawężnikach, których rozmiar jest większy niż opisany w parametrach technicznych w rozdziale 5.
- Nie zjeżdżaj wózkiem na jezdnię. Zawsze pozostawaj na chodniku.
- Nie trzymaj ciągów mokrymi rękami.
- Uważaj, czy na drodze nie ma dziur i uskoków, w których mogłyby ugrzęznąć koła.
- Unikaj kamieni i innych obiektów, które mogą zablokować koła.
- Zawsze pamiętaj o zasięgu wychylenia podnóżka, aby nie potrącić i nie poranić ludzi ani nie uszkodzić innych obiektów.
- Przed każdym użyciem upewnij się, że:
 - wszystkie części są prawidłowo i mocno zamocowane, patrz §3.4.
 - hamulce postojowe działają prawidłowo.
 - opony są w dobrym stanie technicznym, patrz §4.

3.5.1 Jazda z asystentem

1. Release Zwolnij hamulce postojowe lub niech zwolni je asystent, który w tym czasie przytrzymuje wózek, aby się nie poruszył, patrz 3.1 lub §3.2.
2. Asystent łapie za rączki lub pałąk do pchania, aby pchać wózek w żądanym kierunku.
3. Po zatrzymaniu zaciśnij hamulce, trzymając wózek, patrz §3.1 lub §3.2.

3.5.2 Jazda samodzielna

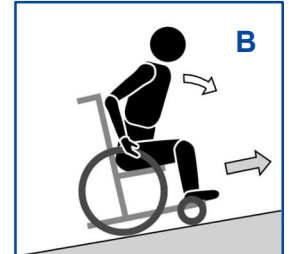
1. Zwolnij hamulce postojowe, najpierw jeden, potem drugi, patrz §3.1.
2. Połóż dłonie w najwyższym położeniu na obu ciągach.
3. Pochyl się do przodu i popychaj/obracaj cięgi do przodu, aż do wyprostowania ramion.
4. Luźno odchyl ramiona do tyłu do szczytu ciągów i powtórz ruch pchania.
5. Aby się zatrzymać: poczekaj, aż wózek się zatrzyma i podjedź do przodu/do tyłu, odpowiednio operując ciągami. Zwolnij hamulce postojowe, najpierw jeden, potem drugi, patrz 3.1.

3.5.3 Jazda po wzniesieniach

**UWAGA**

Ryzyko obrażeń

- Jeśli asystent nie ma siły, aby kontrolować wózek, od razu zatrzymaj się i zablokuj hamulce.
 - Gdy zatrzymasz się na (niewielkim) wzniesieniu, zaciągnij hamulce, ponieważ wózek może się nieoczekiwanie stoczyć.
1. Przypnij się w wózku pasem bezpieczeństwa.
 2. Poproś asystenta lub kogoś innego o pomoc.
 3. Jedź powoli i w prostej linii. Gdy wjeżdżasz pod górę, lekko pochyl się do przodu (A/B). Gdy zjeżdżasz ze wzniesienia, odchyl się do tyłu w kierunku oparcia.
 4. Nigdy nie zawracać na wzniesieniu.



Ilustracja 10

Jazda pod górę

3.5.4 Korzystanie z ramp

**UWAGA**

Ryzyko obrażeń spowodowanych przewróceniem się

- Używaj wyłącznie ramp zaakceptowanych przez Vermeiren. Nie przekraczaj ich maksymalnego obciążenia.
 - Upewnij się, że wózek nie jest wychylony tak, aby dotykał podłoża lub rampy.
 - Rampy pokonuj wyłącznie przy pomocy jednego lub dwóch asystentów.
1. Dopasuj położenie oparcia, siedziska i podnóżka, aby zmniejszyć miejsce zajmowane przez wózek i zwiększyć stabilność podczas jazdy w pochyleniu.
 2. Zdemontuj podnóżki, patrz §2.4.5.
 3. Postępuj zgodnie z instrukcjami w §3.5.3.

3.5.5 Korzystanie ze schodów

**UWAGA**

Ryzyko obrażeń spowodowanych przewróceniem się

- Schody należy zawsze pokonywać przy pomocy dwóch asystentów.
- Nigdy nie używaj schodów nieodpowiednich dla wózków inwalidzkich.

Aby pokonywać schody, siedząc na wózku, stosuj się do poniższych instrukcji:

1. Zdemontuj podnóżki, patrz § 2.4.5.
2. Jeden z asystentów lekko odchyła wózek do tyłu, trzymając za rączki.
3. Drugi asystent chwyta wózek za przednią część ramy, po obu stronach wózka.
4. Zachowaj spokój, unikaj gwałtownych ruchów, trzymaj ręce wewnątrz wózka.
5. Asystenci podnoszą i ciągną wózek stopień po stopniu, przetaczając tylne koła po stopniach.
6. Po stanięciu na płaskim podłożu, ponownie zamontować podnóżki, patrz rozdział 2.4.4.

Ilustracja 11 *Korzystanie ze schodów*

3.5.6 Jazda przez przeszkody

**UWAGA**

Ryzyko obrażeń spowodowanych przewróceniem się

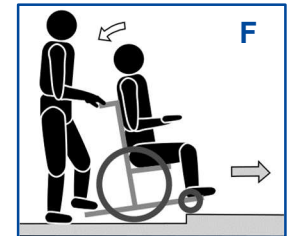
- Zawsze poproś o pomoc asystenta lub dwóch asystentów.
- Upewnij się, że podczas pokonywania przeszkód podpórki pod stopy nie dotykają ziemi. W razie konieczności zdemontuj podnóżki.
- Nie używaj wózka na schodach ruchomych.
- Zapnij pas bezpieczeństwa, jeśli jest dostępny.

Małe krawężniki (wjeżdżanie i zjeżdżanie)

Można je pokonać przodem (E / F) przy pomocy jednego asystenta:

1. Asystent przysuwa przodem wózek do krawężnika. Upewnij się, że podpórki pod stopy nie dotykają krawężnika.
2. Odchyl się do tyłu, aby zmniejszyć nacisk na przednie koła.
3. Asystent mocno trzyma ręczki, jadąc do przodu. W razie konieczności może użyć dźwigni przechyłu, aby utrzymywać przednie koła w górze, aż miną brzeg krawężnika.
4. Asystent zwalnia nacisk na ręczki i dźwignię przechyłu, aby delikatnie postawić przednie koła na ziemi.
5. Następnie mocno trzyma ręczki, popychając tylne koła wózka na krawężnik/z krawężnika.

Ilustracja 12 **Pokonywanie małych krawężników z asystentem**



Średnie krawężniki (wjeżdżanie i zjeżdżanie)

Należy je pokonywać tyłem przy pomocy jednego asystenta:

1. Asystent odwraca wózek tyłem, aby podjechać do krawężnika tylnymi kołami (G / H).
2. Zjeżdżanie: Pochyl się do przodu (G), aby przenieść środek ciężkości w przód.
Wjeżdżanie: Odchyl się do tyłu (H), aby przenieść środek ciężkości w tył.
3. Asystent delikatnie przeciąga wózek z krawężnika/na krawężnik.

Ilustracja 13 **Pokonywanie średnich krawężników z asystentem**



Wyższe krawężniki

Higher Krawężniki wyższe, ale nieprzekraczające maksymalnej wielkości, patrz §5, powinno się pokonywać przy pomocy dwóch asystentów.

Zjeżdżanie:

1. Zdejmij podnóżki.
2. Asystent przysuwa przodem wózek do krawężnika.
3. Odchyl się do tyłu, aby zmniejszyć nacisk na przednie koła.
4. Asystent mocno trzyma ręczki i używa dźwigni przechyłu, aby utrzymywać przednie koła w górze, aż miną brzeg krawężnika.
5. Drugi asystent trzyma przód ramy i się cofa, ściągając tylne koła z krawężnika.
6. Pierwszy asystent zwalnia nacisk na uchwyty i dźwignię przechyłu, aby postawić przednie koła na ziemi.

Wjeżdżanie:

1. Zdejmij podnóżki.
2. Pierwszy asystent odwraca wózek tyłem, aby podjechać do krawężnika tylnymi kołami.
3. Odchyl się do tyłu, aby przenieść środek ciężkości w tył.
4. Drugi asystent trzyma przód ramy i przesuwa się do przodu, przeciągając/wpychając tylne koła na krawężnik. Pierwszy asystent podnosi i mocno trzyma ręczki, aby zapobiec przewróceniu się wózka.

3.6 Korzystanie z manipulatora

**UWAGA**

Ryzyko obrażeń i uszkodzeń

- Manipulator może obsługiwać wyłącznie wystarczająco sprawny użytkownik lub jego upoważniony i przeszkolony pomocnik.
- Uwaga: stabilność wózka jest mniejsza, gdy wózek przestawi się z pozycji siedzenia prosto do pozycji nachylonej.

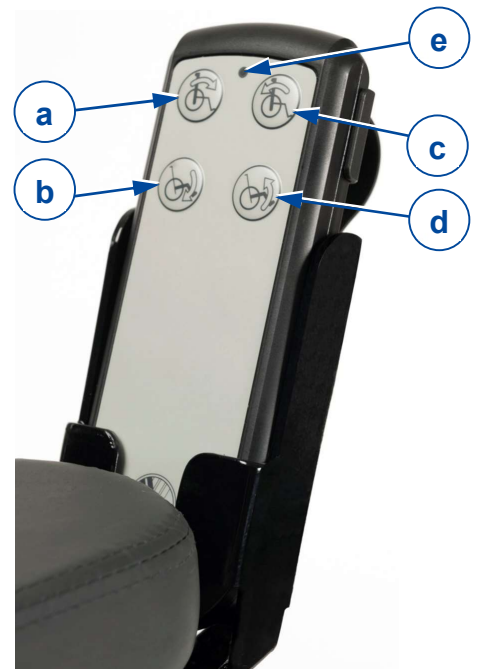
**UWAGA**

Ryzyko uszkodzenia

- Upewnij się, że wokół wózka jest wystarczająco dużo miejsca na regulację oparcia i siedziska.
- Upewnij się, że między ruchomymi częściami nie są zakleszczone żadne przedmioty.

Wózek jest dostarczany z manipulatorem służącym do obsługi ruchomych części. Użytkowanie:

1. Zaciśnij hamulce postojowe, patrz §3.1.
2. Podłącz kabel zasilania do gniazda zasilania 220/230 V AC.
3. Poczekać przez co najmniej 15 sekund. Zapali się kontrolka (e).
4. Aby obsługiwać manipulator, naciśnij i przytrzymaj jeden z przycisków (a – d).
5. Aby zatrzymać ruch, zwolnij przycisk.



Przyciski obsługi:

- (a) Oparcie – Podnoszenie do pozycji siedzenia prosto
- (b) Siedzisko – Opuszczanie do pozycji siedzenia
- (c) Oparcie – Opuszczanie do pozycji nachylonej
- (d) Siedzisko – Podnoszenie do pozycji nachylonej

Ilustracja 14

Manipulator w uchwycie manipulatora

Więcej informacji na temat kątów nachylenia oparcia i siedziska: patrz rozdział 5.

3.7 Stan akumulatora i ładowanie

**OSTRZEŻENIE**

Ryzyko obrażeń i uszkodzeń mienia w wyniku pożaru

- Używaj wyłącznie zasilacza dostarczonego z wózkiem. Stosowanie innego zasilacza może być niebezpieczne (zagrożenie pożarem).
- Zasilacz jest przeznaczony wyłącznie do ładowania akumulatora dostarczonego z wózkiem. Nie wolno nim ładować innych akumulatorów.
- Nie modyfikuj dostarczonych części, takich jak, kable, wtyczki lub zasilacz. Nigdy nie otwieraj ani nie modyfikuj akumulatora ani terminali.
- Chroń akumulator i zasilacz przed ogniem, wysokimi temperaturami (>45°C), wilgocią, światłem słonecznym, silnymi uderzeniami (np. upuszczaniem). NIE UŻYWAJ akumulatora, jeśli został narażony na któryś z powyższych czynników.
- Ładuj akumulator przy użyciu zasilacza, w pomieszczeniach, w dobrze wentylowanym miejscu, poza zasięgiem dzieci. Do ładowania nie używaj listwy zasilającej ani przedłużacza.

**UWAGA**

Ryzyko uszkodzenia

- Zapoznaj się z instrukcjami przechowywania i konserwacji w §4.1 oraz szczegółami technicznymi w rozdziale 5.
- Nie dopuszczaj do całkowitego rozładowania się akumulatora.

- Nie przerywaj cyklu ładowania. Ładowarkę odłącz dopiero, gdy akumulator będzie w pełni naładowany.
- Żywotność akumulatora się skraca, jeśli zostanie on wystawiony na bardzo niską temperaturę przez dłuższy czas.
- Terminal do podłączania zasilacza powinien być czysty, wolny od kurzu i innych zabrudzeń.
- Podłączaj zasilacz bezpośrednio do gniazdka (bez wyłącznika czasowego).
- W razie problemów z ładowaniem akumulatora zgodnie z niniejszymi instrukcjami skontaktuj się z wyspecjalizowanym sprzedawcą.
- Ze względu na prąd spoczynkowy odbiorów akumulator rozładowuje się sam, gdy wózek nie jest używany przez pewien czas. Dlatego zalecamy regularne ładowanie akumulatora.

3.7.1 Stan akumulatora

Kontrolka (65) na obudowie akumulatora pokazuje stan jego pojemności, zgodnie z kodami sygnałów w tabeli 1.



Ilustracja 15 *Położenie akumulatora w wózku*

Tabela 1: Kod kontrolki akumulatora

Kod wskazania	Znaczenie
ZIELONA, światło ciągle	Akumulator jest podłączony do zasilania i się normalnie ładuje (poziom naładowania między 70 i 100%). <ul style="list-style-type: none"> • Pozostaw akumulator podłączony do zasilania, dopóki się całkowicie nie naładuje.
ZIELONA, szybko miga; Zapala się na 1 sekundę, gaśnie na 1 sekundę	Akumulator jest podłączony do zasilania i się normalnie ładuje (poziom naładowania poniżej 70%). <ul style="list-style-type: none"> • Pozostaw akumulator podłączony do zasilania, dopóki się całkowicie nie naładuje.
ZIELONA, wolno miga; Zapala się na 0,5 sekundy, gaśnie na 4 sekundy	Normalne ładowanie akumulatora (poziom naładowania między 25 i 100%)
POMARAŃCZOWA, wolno miga; Zapala się na 0,5 sekundy, gaśnie na 4 sekundy	Należy naładować akumulator (poziom naładowania poniżej 25%). <ul style="list-style-type: none"> • Ładowanie akumulatora
POMARAŃCZOWA, światło ciągle	Wskazuje usterkę. Akumulator może być odłączony lub wystąpił problem z instalacją elektryczną. <ul style="list-style-type: none"> • Skontaktuj się z wyspecjalizowanym sprzedawcą w kwestii pomocy lub wymiany.
Kontrolka się nie świeci	Zadziałało zabezpieczenie akumulatora, praca jest zablokowana/zatrzymana, jeśli: <ul style="list-style-type: none"> o Przez ponad 10 sekund wystąpiło przeciążenie o Niskie napięcie może spowodować nadmierne rozładowanie. <p>Ma to miejsce, gdy poziom naładowania akumulatora spadnie poniżej 20%.</p> <ul style="list-style-type: none"> • Ładowanie akumulatora

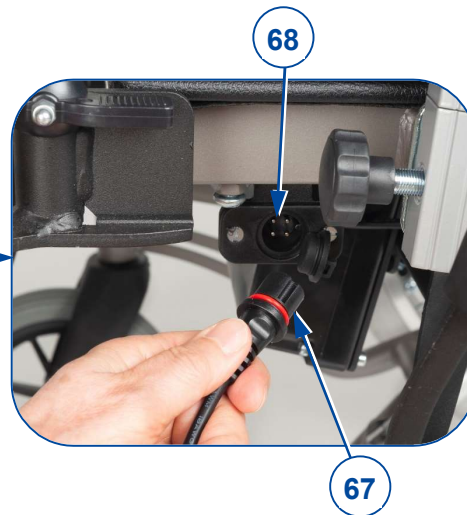
3.7.2 Ładowanie akumulatora

Aby naładować akumulator:

1. **NAJPIERW** podłącz zasilacz do gniazdka 230 V AC. Kontrolka (66) się zapala (na zielono), wskazując, że zasilacz jest podłączony do zasilania. W przeciwnym razie nie używaj ładowarki i skontaktuj się z wyspecjalizowanym sprzedawcą.
2. Włóż wtyczkę zasilacza (67) do gniazdka (68) terminala, patrz Ilustracja 16. Upewnij się, że zagłębienie we wtyczce nasuwa się na występ wewnątrz gniazdka.
3. Poczekaj, aż kontrolka akumulatora (66) zapali się na zielono (pojemność powyżej 70%) i kontynuuj ładowanie przez następne 10 godzin.
4. Odłącz zasilacz.
5. Odłącz zasilacz od gniazdka, poczekaj, aż ostygnie i schowaj w przeznaczony na niego kieszeni. Zasilacz musi być suchy.



Ilustracja 16



Położenie terminala

- i** Zależnie od stanu akumulatora, trzeba go ładować przez co najmniej 10 godzin, aż do 24 godzin, a nawet dłużej, jeśli poziom naładowania spadł poniżej 25%. Ładowanie przez dłuższy czas nie spowoduje uszkodzenia akumulatora. Proces ładowania można przerwać lub rozpocząć w każdej chwili, wykonując powyższe instrukcje.

4 Konserwacja

Wózek wymaga jedynie minimalnej konserwacji. Jednak aby zapewnić bezproblemową eksploatację przez wiele lat, doradzamy jego regularne sprawdzanie.

4.1 Punkty poddawane konserwacji

 **UWAGA** Ryzyko obrażeń i uszkodzeń

Naprawa i wymiana części mogą być wykonywane tylko przez osoby przeszkolone. Należy używać wyłącznie oryginalnych części zamiennych Vermeiren.

i Na ostatniej stronie instrukcji znajduje się formularz dla wyspecjalizowanego sprzedawcy, służący do odnotowywania wszystkich czynności serwisowych. Częstotliwość serwisu zależy od częstotliwości i intensywności użytkowania. Skontaktuj się ze sprzedawcą, aby uzgodnić harmonogram kontroli/konserwacji/napraw.

Przed każdym użyciem

Sprawdź następujące punkty:

- Czy wszystkie części: Czy są zamontowane, nie są uszkodzone ani zużyte.
- Czy wszystkie części: Zabrudzenie, patrz §4.2.2.
- Koła, siedzisko, wszystkie podnóżki, podłokietniki, podpórki pod stopy, zagłówek (jeśli dotyczy): Poprawność zamocowania.
- Stan akumulatora: Ładować akumulator w razie potrzeby, patrz §3.7.
- Manipulator, akumulator, skrzynka przyłączeniowa, silnik, zasilacz, okablowanie: Brak uszkodzonych przewodów – przetartych, przerwanych lub odsłoniętych z izolacji.
- Stan kół/opon, patrz §4.2.1;
- Stan hamulców, patrz § 4.2.1.
- Stan ramy: Brak odkształceń, niestabilności, osłabień, poluzowanych połączeń
- Siedzisko, oparcie, poduszki podłokietników, poduszki pod nogi, zagłówek (jeśli dotyczy): Brak nadmiernego zużycia (wgniecenia, uszkodzenia, rozdarcia).

Skontaktuj się z wyspecjalizowanym sprzedawcą w kwestii ewentualnych napraw lub wymiany części.

Co sześć miesięcy

Jeśli wózek jest przechowywany przez dłuższy czas, należy co 6 miesięcy ładować akumulator przez co najmniej 24 godziny. Więcej informacji – patrz § 3.5.

Co roku lub częściej

Zlecaj kontrolę i serwis wózka wyspecjalizowanemu sprzedawcy raz w roku lub częściej. Minimalna częstotliwość czynności konserwacyjnych zależy od natężenia eksploatacji. Dlatego należy ją uzgodnić z wyspecjalizowanym sprzedawcą.

W przypadku przechowywania

Upewnij się, że wózek jest przechowywany w suchym stanie, aby zapobiec wzrostowi pleśni i uszkodzeniu tapicerki.

4.2 Instrukcje konserwacji

4.2.1 Koła i opony

i Prawidłowe funkcjonowanie hamulców zależy od stanu opon, który zmienia się w zależności od zużycia i zanieczyszczenia (woda, olej, błoto itp.).

- Koła powinny być czyste i wolne od drutów, włosów, piasku i włókien z dywanów.
- Sprawdź profil opon. Jeśli bieżnik jest płytszy niż 1 mm, opony należy wymienić. Skontaktuj się z wyspecjalizowanym sprzedawcą w tej kwestii.

4.2.2 Czyszczenie



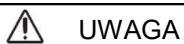
Ryzyko uszkodzenia spowodowanego wilgocią

- Manipulator powinien być czysty i chroniony przed wodą i deszczem.
- Do czyszczenia wózka nigdy nie używaj strumienia wody z węża ani myjki wysokociśnieniowej.

Wszystkie twarde części wózka wycieraj wilgotną (ale nie ociekającą wodą) ściereczką. W razie konieczności używać łagodnego detergentu odpowiedniego do mycia powierzchni lakierowanych i z tworzyw sztucznych.

Tapicerkę można czyścić letnią wodą z łagodnym detergentem. Do czyszczenia nie używaj ściernych środków czyszczących.

4.2.3 Dezynfekcja



Ryzyko uszkodzenia

Dezynfekcję mogą wykonywać wyłącznie osoby odpowiednio przeszkolone. Zasięgnąć porady u wyspecjalizowanego sprzedawcy.

4.3 Diagnozowanie i rozwiązywanie problemów

Nawet jeśli wózek jest użytkowany prawidłowo, może wystąpić problem techniczny. W takim przypadku skontaktuj się z lokalnym wyspecjalizowanym sprzedawcą.



OSTRZEŻENIE

Ryzyko obrażeń i uszkodzeń wózka

- NIGDY nie podejmować prób samodzielnej naprawy wózka.

Następujące objawy mogą oznaczać poważny problem. Jeśli wystąpią któreś z poniższych sytuacji, zawsze skontaktuj się z wyspecjalizowanym sprzedawcą.

- Nietypowe dźwięki;
- Przetarte/uszkodzone wiązki kabli;
- Pęknięte lub połamane złącza;
- Zasilanie elektryczne wózka jest włączone, ale manipulator nie działa, patrz §3.7.

4.4 Oczekiwany okres użytkowania

Przeciętny okres użytkowania wózka to 5 lat. Ten czas może być dłuższy lub krótszy, zależnie od częstotliwości korzystania, warunków jazdy i konserwacji wózka.

4.5 Koniec użytkowania

Po zakończeniu użytkowania należy poddać wózek utylizacji zgodnie z lokalnie obowiązującymi przepisami w zakresie ochrony środowiska. Najlepszym sposobem, aby to zrobić, jest demontaż wózka w celu ułatwienia transportu części nadających się do przetworzenia.

5 Parametry techniczne

Parametry techniczne zamieszczone poniżej dotyczą tylko tego wózka, przy standardowych ustawieniach i optymalnych warunkach otoczenia. Podczas użytkowania należy uwzględnić te parametry.

Wartości będą nieważne, jeśli wózek zostanie zmodyfikowany, uszkodzony lub w dużym stopniu zużyty.

Tabela 2: Parametry techniczne

Marka	Vermeiren	
Typ	Wózek inwalidzki	
Model	Inovys II-E	
Opis	Wymiary dla wszystkich konfiguracji	
Maksymalna masa użytkownika	135 kg	
Stabilność statyczna przy zjeździe w dół	10° **	
Stabilność statyczna przy podjeździe w górę	15° **	
Stabilność statyczna na boki	12° **	
Wjeżdżanie na przeszkody	60 mm	
Opis	Min.	Maks.
Łączna długość z podnóżkami (zależy od ustawienia głębokości siedziska)	1050 mm	1090 mm
Długość po rozłożeniu bez podnóżków (zależy od ustawienia głębokości siedziska)	830 mm	870 mm
Łączna wysokość (bez zagłówka)	990 mm	1060 mm
Wysokość po rozmontowaniu (ze złożonym oparciem, bez podłokietników)	710 mm	780 mm
Kąt płaszczyzny siedziska	0°	+21°
Efektywna głębokość siedziska	460 mm	520 mm
Wysokość powierzchni siedziska przy przedniej krawędzi (z poduszką)	460 mm	530 mm
Kąt oparcia	0°	+54°
Wysokość oparcia	550 mm	585 mm
Odległość między podnóżkiem i siedziskiem	400 mm	570 mm *
Kąt podpórki pod stopy	80°	100°
Kąt między siedziskiem i podnóżkiem	104°	194°
Odległość między podłokietnikiem i siedziskiem	220 mm	320 mm
Przednie położenie konstrukcji podłokietnika	460 mm	490 mm
Opis	Wymiary zależnie od konfiguracji	
Średnica kół tylnych	16" (T30) z hamulcami bębnowymi	24"
Średnica ciągu	N.D.	535 mm
Efektywna szerokość siedziska	400 mm	500 mm
Łączna szerokość (zależnie od szerokości siedziska)	630 mm	730 mm
Szerokość po rozmontowaniu (bez podłokietników)	600 mm	700 mm
Szerokość podpórki pod stopy (minimum – maksimum)	44-46 mm	48-50 mm
Średnica kół kierujących	200 mm	200 mm
Poziome położenie osi (odchylenie)	-8 mm - 41 mm	-4 mm - 42 mm

Masa łączna	41,7 kg	40,9 kg
Masa najcięższej części	27,1 kg	22,9 kg
Masy demontowalnych części		
Podnóżki	4,80 kg	4,80 kg
Podłokietniki	3,8 kg	3,8 kg
Tylne koła	N.D.	3,6 kg
Oparcie	3,6 kg	3,6 kg
Akumulator	2,2 kg	2,2 kg
Promień skrętu (średnica)	1520 mm	1620 mm
Opis	Dane dla wszystkich konfiguracji	
Testy wytrzymałości zgodnie z	ISO 7176-8	
Zapalność tapicerki zgodnie z	ISO 7176-16	
Zgodność z EMC	ISO 7176-21 / EN 61000-3-2 i EN 61000-3-3	
Zasilacz / Transformator	Wejście: 220-240 V AC, 50/60 Hz Maks. parametry wyjściowe: 29V DC, 2,5A Klasa ochrony: IP66 Cykl pracy: 2 min wł. / 18 min wył.	
Akumulator	Pojemność: 1,2 Ah Wejście: 29~45 V DC Wyjście: 24 V DC, 1,2 A Klasa ochrony: IP66 Cykl pracy: 10% (2 min wł. / 18 min wył.)	
Silnik (2x)	Wydajność: 1500 N Prędkość obrotowa silnika: 2200RPM 2200 obr./min Umax 24 V DC; Imax. 2,2 A Klasa ochrony: IP66, Cykl pracy: 10% (Maks. 2 min wł. / 18 min wył.)	
Manipulator	Klasa ochrony: IP66	
Temperatura użytkowania i przechowywania (akumulator)	+ 5°C ~ + 45°C	
Wilgotność przechowywania i użytkowania	30% ~ 70%	
Zastrzegamy sobie prawo do wprowadzania zmian technicznych. Tolerancja pomiarów +/- 15 mm / 1,5 kg / 1,5°. (*) Nie ustawiaj podnóżków na maksymalną długość, aby podpórki pod stopy nie dotknęły ziemi. (**) Przetestowane w standardowej konfiguracji N.D. = Nie dotyczy		

Obsah

Úvod	2
1 Tento výrobek	3
1.1 Popis	3
1.2 Příslušenství	4
2 Před použitím	5
2.1 Určené použití	5
2.2 Obecné bezpečnostní pokyny	5
2.3 Symboly na invalidním vozíku	5
2.4 Přeprava a (de)montáž	6
2.5 První použití a uskladnění	11
3 Používání invalidního vozíku	12
3.1 Parkovací brzdy (pouze pro kola velikosti 22"/24")	12
3.2 Bubnové brzdy (pouze pro pevná kola velikosti 16")	12
3.3 Přesun na invalidní vozík nebo z něj	13
3.4 Úpravy komfortu	13
3.5 Jízda	15
3.6 Použití ovladače	18
3.7 Stav a nabíjení baterie	18
4 Údržba skútru	21
4.1 Body údržby	21
4.2 Pokyny údržby	21
4.3 Řešení problémů	22
4.4 Očekávaná životnost	22
4.5 Konec používání	22
5 Technické údaje	23

Úvod

Blahopřejeme! Nyní jste vlastníkem invalidního vozíku Vermeiren!

Tento invalidní vozík byl vyroben pečlivými pracovníky s kvalifikací. Navíc byl navržen a vyroben podle vysokých standardů kvality, nad nimiž dohlíží společnost Vermeiren.

Děkujeme za vaši důvěru ve výrobky společnosti Vermeiren. Tento návod slouží k tomu, aby vám pomáhal s použitím tohoto invalidního vozíku a jeho provozních možností. Řádně si jej přečtěte; pomůže vám seznámit se s provozem, schopnostmi a omezeními tohoto invalidního vozíku.

Máte-li po přečtení tohoto návodu nějaké dotazy, obraťte se bez obav na svého odborného prodejce. Rád vám pomůže.

Důležitá poznámka

Aby byla zajištěna vaše bezpečnost a prodloužena životnost tohoto výrobku, věnujte mu řádnou péči a nechávejte jej pravidelně kontrolovat a opravovat.

Záruka na tento výrobek je založena na běžném použití a údržbě, jak je to popsáno v tomto návodu. V případě poškození výrobku způsobeného nesprávným použitím či absencí údržby tato záruka zanikne.

V tomto návodu se odráží nejnovější vývoj výrobku. Společnost Vermeiren má právo provádět změny tohoto typu výrobku, aniž by měla povinnost upravit či nahradit podobné výrobky, které již byly dodány.

Obrázky výrobku slouží k objasnění pokynů v tomto návodu. Detaily znázorněného výrobku se mohou od skutečného konkrétního výrobku lišit.

Dostupné informace

Na naší webové stránce <http://www.vermeiren.com/> naleznete vždy verzi návodu s aktuálními informacemi. Tyto webové stránky pravidelně navštěvujte pro případné aktualizace.

Osoby se zrakovým postižením si mohou stáhnout elektronickou verzi tohoto návodu, kterou jim může přečíst softwarová aplikace text-to-speech.



Návod k obsluze
Pro uživatele a odborného prodejce



Návod k instalaci
Pro odborného prodejce



Servisní příručka pro invalidní vozíky
Pro odborného prodejce

1 Tento výrobek

1.1 Popis

Tento invalidní vozík Inovys II-E lze snadno ovládat a používat jak v interiéru, tak i venku. Má skládací konstrukci, takže je velmi skladný. Invalidní vozík je dostupný v několika velikostech a můžete ho snadno rozšířit volitelnými prvky podle požadavků uživatele na komfort. Následující obrázky ukazují všechny části, které se týkají uživatele. V sekci o provozu a údržbě jsou tyto části v případě potřeby popsány.

CS

i Před provozem invalidního vozíku zkontrolujte technické údaje a omezení zamýšleného použití, viz kapitola 5.



Obrázek 1 **Důležité části**

- | | | |
|-----------------------------------|------------------------|--|
| 1. Opěrka hlavy (volitelný prvek) | 7. Nožní popruh (2x) | 13. Zadní kolo (2x) |
| 2. Opěradlo | 8. Opěrka nohy (2x) | 14. Ruční ráfek (2x) |
| 3. Loketní opěrka | 9. Loketní opěrka (2x) | 15. Rukojeť s madlem (2x) |
| 4. Ovladač | 10. Brzda (2x) | 16. Držák opěrky hlavy (volitelný prvek) |
| 5. Opěrka nohy (2x) | 11. Přední kolo (2x) | |
| 6. Nožní deska (2x) | 12. Rám | |

Obrázek 2 *Důležité části, pokračování*

1.2 Příslušenství

Pro vozíky Inovys II-E je k dispozici následující příslušenství:

- Dřevěný stolek (B12)
- Opěrka hlavy (L55, L58)
- Pánevní bezpečnostní pás (B58)
- Vodorovný klín (B22)
- Loketní opěrky pro hemiplegiky (B66)

O další informace požádejte svého odborného prodejce.

2 Před použitím

2.1 Určené použití

V tomto odstavci je uveden stručný popis zamýšleného použití tohoto invalidního vozíku. Dále jsou k pokynům v dalších odstavcích přidána příslušná upozornění. Tímto způsobem chceme upozornit na případné chybné použití, k němuž může dojít.

- Tento invalidní vozík je vhodný pro interiérové a venkovní použití.
- Tento invalidní vozík je konstruován a vyroben výhradně k přepravě jedné (1) osoby o maximální hmotnosti 135 kg. Není určen pro přepravu zboží či předmětů ani pro jakýkoli jiný účel, než je popsán výše.
- Podle typu použitých kol může invalidní vozík obsluhovat doprovod nebo uživatel, který v něm sedí. Tento invalidní vozík **NESMÍTE** používat bez doprovodu, trpíte-li tělesnou či duševní poruchou, která by mohla vás nebo jiné osoby ohrozit při jízdě v invalidním vozíku. Z tohoto důvodu se nejprve obraťte na lékaře a zajistěte, aby byl odborný prodejce informován o jeho posudku.
- Tento invalidní vozík není určen k použití jako sedadlo v motorovém vozidle.
- Používejte pouze příslušenství a náhradní díly schválené společností Vermeiren.

CS

Přečtěte si všechny technické detaily a omezení tohoto invalidního vozíku v odst.7.

2.2 Obecné bezpečnostní pokyny

 **POZOR** Riziko zranění anebo poškození

Přečtěte si pokyny v tomto návodu a postupujte podle nich. Jinak může dojít k vašemu zranění nebo k poškození invalidního vozíku.

Při použití mějte na paměti tato obecná upozornění:

- Tento invalidní vozík nepoužívejte, jste-li pod vlivem alkoholu, léků či jiných látek, které by mohly ovlivnit vaše schopnosti jízdy v něm. To platí také pro váš doprovod, který invalidní vozík obsluhuje.
- Mějte na paměti, že určité části invalidního vozíku mohou být velmi teplé nebo studené vlivem okolní teploty, slunečního záření či topných těles. Při dotýkání buďte opatrní. Při chladném počasí používejte ochranný oděv. Při jízdě venku můžete použít jízdní rukavice pro lepší ovládání ručních ráfků.
- Dodržujte pokyny pro servis a péči o invalidní vozík. Výrobce neodpovídá za škody způsobené nesprávným servisem / péčí o výrobek.

2.3 Symboly na invalidním vozíku

Tohoto invalidního vozíku se týkají symboly v následujícím seznamu. Symboly lze vyhledat v příslušné normě ISO (ISO 7000, ISO 7001 a IEC 417).



Maximální váha uživatele v kg



Venkovní/domácí použití (bez baterie a nabíjecího adaptéru)



Pouze k použití uvnitř (baterie a nabíjecí adaptér)



Max. bezpečný sklon ve ° (stupních).



Max. rychlost



Není určeno k použití jako sedadlo v motorovém vozidle



Typové označení

CS

2.4 Přeprava a (de)montáž


2.4.1 Přemístění mimo cestu

Pohybujte invalidním vozíkem pomocí jeho kol a dopravte jej na místo určené. Jestliže to nebude možné a demontáž není vhodná, požádejte o pomoc se zvednutím invalidního vozíku. Pevně uchopte rám oběma rukama a zvedněte křeslo z podlahy. Pro uchopení invalidního vozíku nepoužívejte loketní opěrky, opěrky nohou ani kola.

2.4.2 Přeprava letadlem

Protože je invalidní vozík vybaven olověnou baterií, není možné přepravovat invalidní vozík (jako celek) letadlem. Chcete-li tak přesto učinit, obraťte se na leteckou společnost před rezervací letenky. Můžete také demontovat baterii a zakoupit novou baterii po svém příletu. S žádostí o informace se obraťte na svého odborného prodejce.

2.4.3 Přeprava vozidlem

 **VAROVÁNÍ** Riziko zranění

- Tento invalidní vozík NIKDY nepoužívejte jako sedadlo ve vozidle, viz symbol.
 - Nikdy nepoužívejte stejný bezpečnostní pás pro cestujícího a invalidní vozík.
1. K vrácení invalidního vozíku do sedací polohy použijte ovladač; viz pokyny v odst.3.6.
 2. Demontujte a naložte invalidní vozík do vozidla podle pokynů v odst.2.4.4.
 3. Uložte invalidní vozík a jeho části do zavazadlového prostoru. Pokud NENÍ zavazadlový prostor zcela uzavřen či oddělen od cestujících, řádně připoutejte rám invalidního vozíku k vozidlu.
- i** K naložení do vozidla můžete použít také nájezdovou rampu, viz informace v odst. 3.5.4.
Po naložení aktivujte parkovací brzdy, viz odst.3.1.



2.4.4 Sestavení

 **POZOR** Riziko zranění či poškození

- Zkontrolujte, že jste si při sestavování nezachytili prsty, oděv nebo spony.
- Vždy mějte na paměti rozsah výkyvu opěrek nohou, aby nedošlo ke zranění osob nebo k poškození předmětů.
- Před použitím vždy zkontrolujte, zda jsou všechny sestavené části pevně připevněny.



Obrázek 3 Základní rám invalidního vozíku Inovys II-E s koly velikosti 16" a 24" – demontované části



[1]

- Položte invalidní vozík čtyřmi koly na zem.
- Složte rám opěradla (34) do otevřené polohy.



[2]

- Upevňovacím kolíkem připevněte přední částí motoru k rámu opěradla (33) a zajistěte svorkou.
- Zkontrolujte, že je rám opěradla pevně připevněn k motoru.



[3]

- Zavěste opěradlo za jeho čtyři šrouby do čtyř držáků (35) v rámu opěradla.
- Utáhněte rukou dvě hvězdicová kolečka (36) nahoře.
- Zkontrolujte, že je opěradlo řádně zaaretováno.



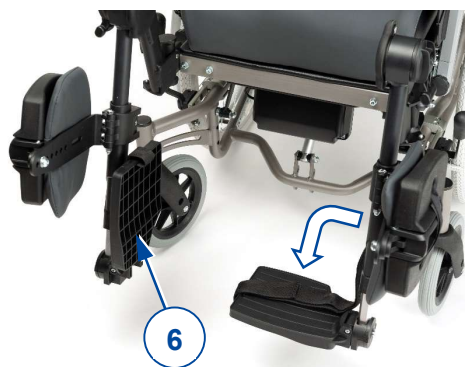
[4]

- Otočte hvězdicovým kolečkem (37) držáku loketní opěrky doleva a vyjměte ho.
- Zasuňte loketní opěrku (9) do držáku loketní opěrky.
- Vložte hvězdicové kolečko (37) a otáčejte jím doprava, dokud nebude volně dotažené.
- Zkontrolujte, zda je loketní opěrka pevně zaaretována.
- Postup zopakujte pro druhou loketní opěrku.



[5]

- Přidržte nožní opěrku (5) na straně a zavěste ji do podpěry podnožky (39). Zkontrolujte, zda je otvor na nožní opěrku (44) zarovnan s dolní částí podpěry a zda je v horní podpěře vložen kolík nožní opěrky (38).
- Otočte nožní opěrku (5) směrem dovnitř, dokud nezaklapne do své polohy.
- Postup zopakujte pro druhou opěrku nohou.



[6]

- Otočte nožní desku (6) dolů.
- Postup zopakujte pro druhou nožní desku.



[7]

- Otočte podpěru lýtkové opěrky (40) dovnitř.
- Otočte lýtkovou opěrku (8) dozadu.
- Postup zopakujte pro druhou lýtkovou opěrku.



[8]

- (V příslušném případě) připevněte hlavovou opěrku (1) hranatou trubkou k držáku hlavové opěrky (41) na opěradle.
- Utáhněte rukou hvězdicové kolečko (42).

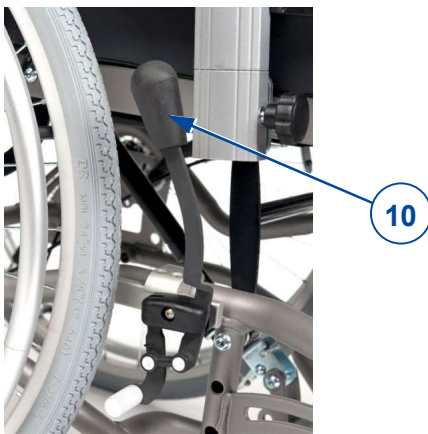
CS

Invalidní vozík je teď připraven k použití.

2.4.5 Rozložení

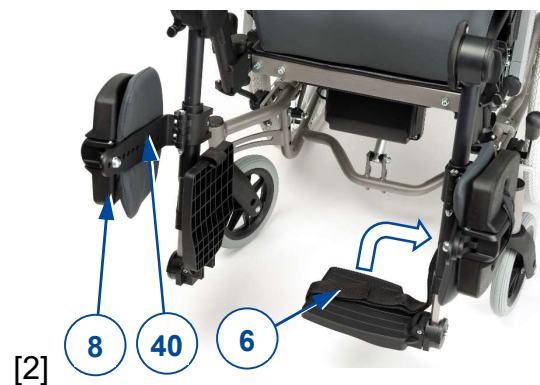
 **POZOR** Riziko zranění či poškození

- Zkontrolujte, že jste si při demontáži nezachytili prsty, oděv nebo spony.
- Vždy mějte na paměti rozsah výkyvu opěrek nohou, aby nedošlo ke zranění osob nebo k poškození předmětů.



[1]

- Zatažením za brzdovou páčku (10) zabrzdíte obě parkovací brzdy, viz část 3.1.



[2]

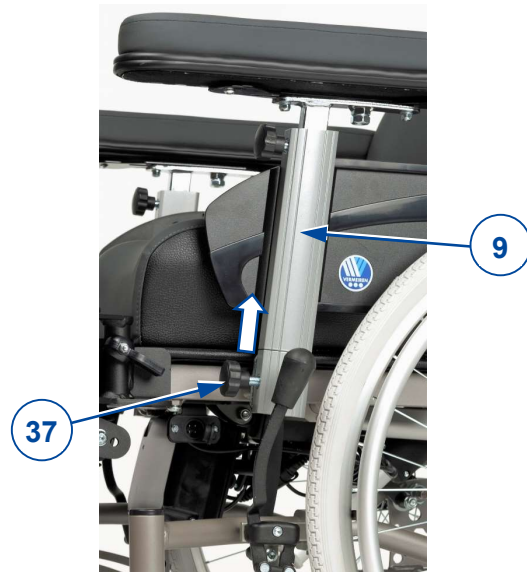
- Zavřete lýtkovou opěrku (8) a otočte podpěru lýtkové opěrky (40) ven.
- Zopakujte postup pro druhou lýtkovou opěrku.
- Vyklopte obě nožní desky (6) nahoru.

CS



[3]

- Zatáhněte za páčku nožní opěrky (50) a otočte nožní opěrku (5) ven.
- Zdvihněte nožní opěrku a odeberte ji.
- Zopakujte postup pro druhou nožní opěrku.



[4]

- Otočte hvězdicovým kolečkem (37) doleva.
- Vytáhněte a přidržte hvězdicové kolečko ve vytažené poloze a potom z držáku vytáhněte loketní opěrku (9).
- Utáhněte znovu hvězdicové kolečko (37).



[5]

- (V příslušném případě) demontujte hlavovou opěrku (1):
 - Povolte hvězdicové kolečko (42) držáku hlavové opěrky a vyjměte ho.
 - Vytáhněte hlavovou opěrku nahoru tak, aby se uvolnila z držáku na opěradle.



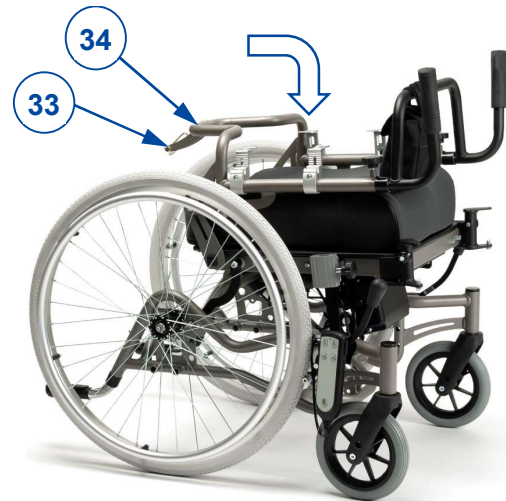
[6]

- Povolte rukou dvě hvězdicová kolečka (36) nahore na zadním opěradle.
- Vytáhněte opěradlo nahoru tak, abyste ho uvolnili ze čtyř držáků (35).



[7]

- Uvolněte podpěru upevňovacího kolíku (33) a vyjměte ho, abyste mohli demontovat motor z rámu opěradla.



[8]

- Složte rám opěradla (34) dolů na sedadlo.
- Vložte upevňovací kolík (33) zpět do rámu.

CS

2.4.6 (De)montáž zadních kol (platí pouze pro velikost 22"/24"):

Před přepravou může být nezbytné demontovat/namontovat zadní kola.

Demontáž zadních kol:

1. Stiskněte a přidržte tlačítko (43) a zároveň vysunujte osu kola z pouzdra na osu.
2. Stejným způsobem demontujte i druhé zadní kolo a potom invalidní vozík položte opatrně na výklopné krytky.

Přípevnění zadních kol:

1. Uchopte jedno ze zadních kol a invalidní vozík na jedné straně zvedněte.
2. Stiskněte a přidržte tlačítko (43) a zároveň zasunujte osu kola do pouzdra na osu.
3. Uvolněním tlačítka kolo uzamkněte.
4. Postup zopakujte pro druhé kolo. Zkontrolujte, že jsou obě kola pevně zaaretována.



2.5 První použití a uskladnění

 **POZOR** Riziko poškození baterie

- Baterii nikdy úplně nevybíjejte.
- Nepřerušujte nabíjecí cyklus; nabíječku odpojujte od baterie, jen když je zcela nabitá.
- Zajistěte uložení tohoto invalidního vozíku v suchu, aby nedošlo k růstu plísní a k poškození čalounění.
- Zkontrolujte technické údaje pro skladování, viz kapitola 5.

Před použitím invalidního vozíku zkontrolujte, že jsou připojena všechna připojení baterie a že je baterie plně nabitá, zeptejte se svého prodejce, zdali to již bylo provedeno či nikoliv. Nabíjení provádějte podle pokynů pro nabíjení v odst.3.7.

3 Používání invalidního vozíku

**VAROVÁNÍ**

Riziko zranění

- Nejprve si přečtete předchozí kapitoly a seznámte se se zamýšleným použitím. Invalidní vozík NIKDY nepoužívejte, dokud si nepřečtete všechny pokyny a neporozumíte jim.
- V případě pochybností či dotazů bez obav požádejte svého místního odborného prodejce, poskytovatele péče nebo technického poradce o pomoc.

CS

3.1 Parkovací brzdy (pouze pro kola velikosti 22"/24")

**POZOR**

Riziko zranění

- Obsluhujte brzdovou páčku pouze tehdy, když je invalidní vozík zastaven.
- Máte-li zhoršenou pohyblivost, musí brzdovou páčku obsluhovat doprovod.
- Před uvolněním brzdy ověřte, že je invalidní vozík na rovném vodorovném povrchu.
- Nikdy neuvolňujte obě brzdy současně.
- Seřízení brzd smí provádět pouze odborný prodejce.

**POZOR**

Riziko poškození

- Nepoužívejte parkovací brzdy ke zpomalení pohybu invalidního vozíku.

Tento invalidní vozík je vybaven dvěma ručně ovládanými parkovacími brzdami. Tyto brzdy slouží k tomu, aby bránily pohybu invalidního vozíku při zaparkování.

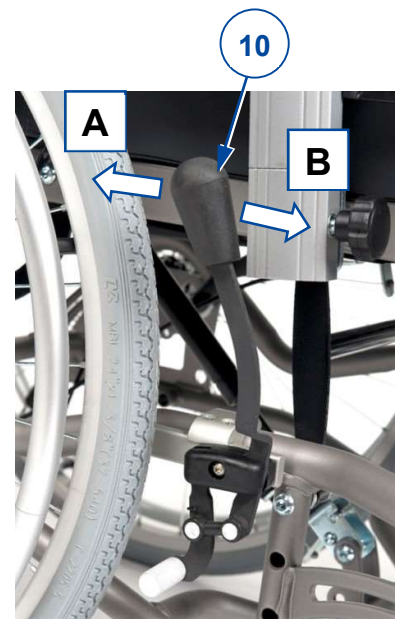
Deaktivace brzd [A]:

1. Jednou rukou pevně přidržte jeden ruční ráfek (nebo váš asistent přidrží jednou rukou tlačnou tyč).
2. Zatáhněte brzdovou páčku (10) DRUHÉHO kola do ZADNÍ polohy.
3. Zopakujte tento postup u druhého kola a parkovací brzdy.

Aktivace brzd [B]:

1. Jednou rukou pevně přidržte jeden ruční ráfek (nebo váš asistent přidrží jednou rukou tlačnou tyč).
2. Zatlačte brzdovou páčku (10) DRUHÉHO kola do PŘEDNÍ polohy, až ucítíte výraznou aretaci.
3. Zopakujte tento postup u druhého kola a parkovací brzdy.

Obrázek 4 *Obsluha parkovacích brzd*



3.2 Bubnové brzdy (pouze pro pevná kola velikosti 16")

**POZOR**

Riziko zranění

- Před uvolněním brzdy ověřte, že je invalidní vozík na rovném vodorovném povrchu.
- Nikdy neuvolňujte obě brzdy současně.
- Při parkování nebo stání ve svahu použijte po zastavení parkovací brzdy.
- Seřízení brzd smí provádět pouze odborný prodejce.

Při obsluze bubnových brzd:

1. Stisknutím zatáhněte za brzdové páčky (60).
2. Každou brzdovou páčku (60) můžete zaaretovat stlačením pojistné páčky (61) svým prstem dolů.
3. Uvolněte brzdové páčky (60).

Při opětovném rozjetí:

1. Stisknutím zatáhněte za brzdové páčky (60). Pojistná páčka se (61) se tímto pohybem sama uvolní.
2. Přidržete pevně rukojeti a současně s tím uvolněte brzdové páčky (60).

Obrázek 5 **Obsluha bubnových brzd**



3.3 Přesun na invalidní vozík nebo z něj

 **POZOR** Riziko zranění či poškození

- Pokud nemůžete přesun provést bezpečně, požádejte někoho o asistenci.
- Během přesunu na vozík nebo z něj nestůjte na nožních deskách.

Přesun

1. Když sedíte na židli, pohovce, sedačce či posteli, umístěte invalidní vozík co nejblíže k sobě.
2. Aktivujte obě parkovací brzdy k zablokování pohybu, viz odst.3.1.
3. Ovladačem posuňte opěradlo a sedadlo do sedací polohy, viz odst.3.6.
4. Složte nožní desky nahoru, aby se na nich nemohlo stát, nebo otočte opěrky nohou stranou k uvolnění průchodu pro přenos.
5. V případě potřeby vyjměte loketní opěrku nebo nožní opěrku na jedné straně (viz odst.0).
6. Přesuňte se na invalidní vozík nebo z něj silou svých paží nebo pomocí asistenta či zdvihacího zařízení.

Sezení na invalidním vozíku

1. Sedněte si na sedadlo a dolní část zad opřete o opěradlo.
2. Jestliže jste demontovali loketní opěrku nebo nožní opěrku, vraťte ji zpět na místo.
3. Otočte opěrky nohou zpět dopředu nebo sklopte nožní desky dolů a položte nohy na nožní desky.
4. Ověřte, že jsou stehna vodorovně, lýtka svisle a chodidla v pohodlné poloze; seřídte invalidní vozík podle pokynů v odst. 3.4

3.4 Úpravy komfortu

 **POZOR** Riziko zranění či poškození

- Následující úpravy komfortu může provádět doprovod nebo pečovatel(ka). Všechny další úpravy provádí váš odborný prodejce.
- Vždy mějte na paměti rozsah výkyvu opěrek nohou, aby nedošlo ke zranění osob nebo k poškození předmětů.
- Zkontrolujte, že jste si při nastavování nezachytili prsty, oděv nebo spony.

3.4.1 Výška loketní opěrky


Loketní podložky (3) invalidního vozíku můžete nastavit do 6 různých výšek:

1. Otočením doleva odjistíte hvězdicové kolečko (45).
2. Vytáhněte a přidržte hvězdicové položky, abyste uvolnili vnitřní trubku loketní opěrky (9).
3. Nyní můžete posunout vnitřní trubku loketní opěrky (9) nahoru/dolů v držáku (46) na požadovanou výšku. Zkontrolujte, zda jsou zarovnané otvory na vnitřní/vnější trubce.
4. Otočením doprava znovu utáhněte hvězdicové kolečko (45).
5. Postup zopakujte pro druhou loketní opěrku. Zkontrolujte, zda jsou loketní opěrky pevně zaaretovány.

Obrázek 6 *Nastavení výšky loketní opěrky*



3.4.2 Výška tlačných madel / tlačné tyče

 **POZOR** Riziko zranění

Použijte vždy dostupné otvory na tlačném madle pro nastavení výšky. Nikdy nepřekračujte maximální výšku nastavení.

Tlačná madla (16) a tlačná tyč (23) jsou vzájemně spojeny a můžete je nastavit do 7 různých výšek:

1. Povolte obě hvězdicová kolečka (31) na podpěrách madel a vyjměte je ven.
2. Současným posunutím obou tlačných madel nahoru/dolů v podpěrách nastavte výšku. Zkontrolujte, zda jsou zarovnané otvory na vnitřní/vnější trubce.
3. Vložte obě hvězdicová kolečka (31) do podpěr a nastavovacích otvorů.
4. Otáčením doprava rukou utáhněte hvězdicová kolečka.
5. Zkontrolujte, že jsou obě tlačná madla pevně utažena.

Obrázek 7 *Nastavení výšky tlačného madla*



3.4.3 Sklon opěrky nohy

1. Povolte páčku (62) v místě otočení.
2. Zvednutím/spuštěním nožních desek (mezi 100–190°) nastavte sklon opěrky na nohy.
3. Rukou páčku (62) znovu pevně utáhněte.
4. Postup zopakujte pro druhou opěrku nohy. Zkontrolujte, že jsou obě opěrky nohou pevně utaženy.

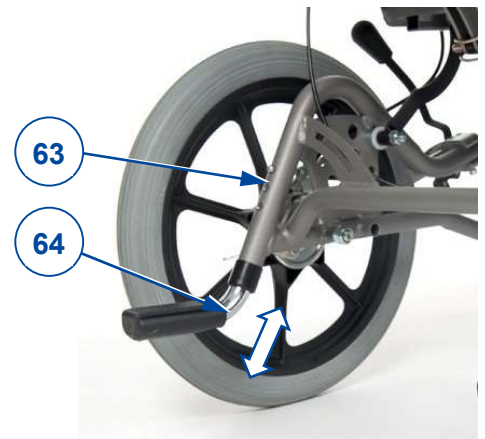
Obrázek 8 *Nastavení úhlu podnožky*



3.4.4 Výška koncového víčka

1. Stiskněte a přidržte pružinové tlačítko (63).
2. Posuňte koncové víčko (64) dovnitř/ven z trubky rámu.
3. Uvolněte pružinové tlačítko.
4. Postup zopakujte pro druhé koncové víčko. Zkontrolujte, že jsou obě koncová víčka pevně zaaretována.

Obrázek 9 *Nastavení výšky koncového víčka*



3.5 Jízda

- i** V závislosti na vašem zdravotním stavu a typu invalidního vozíku můžete jezdit na vozíku sami nebo vás musí případně tlačít doprovod.

 **POZOR** Nebezpečí skřípnutí

- Nedopustíte, aby se do drátů výpletu kola zachytily vaše prsty.
- Při jízdě úzkými průjezdy zajistěte, aby nedošlo ke skřípnutí ruky na ručním ráfku.
- Při jízdě s doprovodem nesahejte rukama na kola a nohy nechte spočívat na nožních deskách.

 **POZOR** Riziko zranění a poškození

- NIKDY nejezděte na svahy, překážky, schody či obrubníky, které mají větší hodnoty než uvedené v technických údajích v kapitole 5.
- Nejezděte s invalidním vozíkem v silničním provozu. Vždy zůstávejte na chodníku.
- Nepoužívejte ruční ráfky, máte-li mokré ruce.
- Dávejte pozor, zda na silnici nejsou díry nebo spáry, které by mohly způsobit skřípnutí kol.
- Vyhýbejte se kamenům a jiným předmětům, které mohou zablokovat kola.
- Vždy mějte na paměti rozsah výkyvu opěrek nohou, aby nedošlo ke zranění osob nebo k poškození předmětů.
- Před každým použitím ověřte, že:
 - jsou všechny části, které se nastavují, pevně zajištěny, viz odst.3.4.
 - parkovací brzdy fungují správně;
 - pneumatiky jsou v dobrém stavu, viz odst.4.


3.5.1 Jízda s doprovodem

1. Deaktivujte brzdy nebo je nechte uvolnit doprovodem, který mezitím drží invalidní vozík, aby se nerozjel, viz odst.3.1 nebo §3.2.
2. Doprovod uchopí rukojeti nebo tlačnou tyč a může tlačit invalidní vozík požadovaným směrem.
3. Po zastavení a držení invalidního vozíku na místě zaktivujte parkovací brzdu, viz odst.3.1 nebo §3.2.

3.5.2 Samostatná jízda

1. Deaktivujte parkovací brzdy jednu po druhé, viz odst.3.1.
2. Položte ruce do nejvyšší polohy na obou ručních ráfcích.
3. Nakloňte se dopředu a tlačte/otáčejte ruční ráfky dopředu, dokud se vaše paže nenarovnají.
4. Volně zhoupněte ruce zpět na horní část ručních ráfků a zopakujte tlačný/otočný pohyb.
5. Zastavení: počkejte, až se invalidní vozík zastaví a pohybujte se dopředu/dozadu pomocí ručních ráfků. Aktivujte parkovací brzdy jednu po druhé, viz odst.3.1.

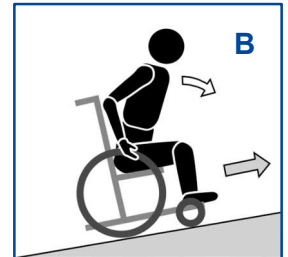
3.5.3 Jízda na svazích

 POZOR Riziko zranění

- Má-li doprovod příliš malou sílu na ovládnutí invalidního vozíku, zastavte jízdu a okamžitě zaktivujte brzdy.
- Při zastavení na (malém) svahu aplikujte brzdy, jinak se invalidní vozík může neočekávaně rozjet.



1. Připoutejte se k invalidnímu vozíku bezpečnostním pásem.
2. Požádejte o pomoc svůj doprovod nebo osobu ve vašem okolí.
3. Jezděte pomalu a pokud možno rovně. Při jízdě do svahu se mírně nakloňte dopředu (A/B). Při jízdě ze svahu se mírně nakloňte dozadu a opřete o opěradlo.
4. Na svahu nikdy nejezděte vzad.



Obrázek 10 Jízda do svahu


3.5.4 Použití nájezdových ramp

 POZOR Riziko zranění způsobených převrácením

- Používejte pouze rampy schválené společností Vermeiren a nepřekračujte maximální nosnost.
- Zkontrolujte, že se invalidní vozík nedotýká v důsledku naklonění země nebo rampy.
- Nájezdové rampy překonávejte pouze s pomocí jedné nebo dvou osob, které vás doprovázejí.

1. Nastavte polohu opěradla, sedadla a podnožky tak, abyste snížili hmotnost, která bude působit na invalidní vozík, a zvýšili stabilitu při naklonění.
2. Odeberte opěrky nohou, viz odst.2.4.5.
3. Postupujte podle pokynů v odst.3.5.3.

3.5.5 Používání schodů

 POZOR Riziko zranění způsobených převrácením

- Schody musejí být vždy zvládnuty za asistence dvou osob doprovodu.
- Nikdy nezkoušejte používat schody, které nejsou vhodné pro invalidní vozíky.


Pro použití schodů při sezení na invalidním vozíku postupujte podle následujících pokynů:

1. Vyjměte nožní opěrky, viz část 2.4.5.
2. Jeden doprovod mírně nakloní invalidní vozík dozadu pomocí rukojetí.
3. Druhý doprovod uchopí invalidní vozík za přední stranu rámu po obou stranách invalidního vozíku.
4. Zachovejte klid, vyvarujte se náhlých pohybů a držte ruce uvnitř invalidního vozíku.
5. Obě doprovodné osoby krok za krokem zvedají a tahají invalidní vozík, zatímco zadní kola přejíždějí po schodech.
6. Po použití schodů upevněte zpět na místo opěrky nohou, viz odst.2.4.4.



Obrázek 11 Používání schodů

3.5.6 Řešení překážek

 POZOR Riziko zranění způsobených převrácením

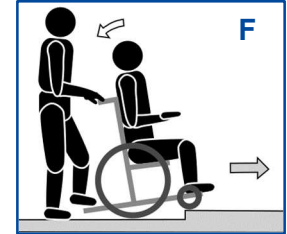
- Vždy požádejte o pomoc jednu nebo dvě osoby.
- Při přejíždění překážky ověřte, že se nožní desky nedotknou země. V případě potřeby sundejte podnožky.
- Tento invalidní vozík nepoužívejte na eskalátoru.
- Je-li k dispozici bezpečnostní pás, připoutejte se.

Nízké obrubníky (nahoru nebo dolů)

Ty můžete překonat směrem dopředu (E/F) s pomocí jedné osoby:

1. Doprovod pohybuje invalidním vozíkem dopředu a přiblíží se k obrubníku. Ověřte, že se nožní desky nedotknou obrubníku.
2. Nakloňte se dozadu, abyste snížili váhu na přední kola.
3. Doprovod drží pevně rukojeti a zároveň se pohybuje dopředu. V případě potřeby použijte koncové víčko pro trvalé zvednutí předních kol, dokud nepřejedou obrubník.
4. Doprovod uvolní tlak na rukojeti i koncové víčko a položí opatrně přední kola na zem.
5. Dále drží pevně rukojeti a zároveň přetlačí invalidní vozík zadními koly nahoru/dolů přes obrubník.

Obrázek 12 *Přejíždění nízkých obrubníků s pomocí jedné osoby*

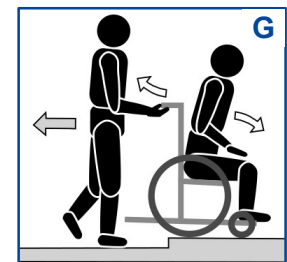
**CS**

Středně vysoké obrubníky (nahoru nebo dolů)

Tyto obrubníky můžete překonat směrem dozadu s pomocí jedné osoby:

1. Doprovod otočí invalidní vozík, aby se k obrubníku přiblížila zadní kola (G / H).
2. Jízda dolů: Náklonem dopředu (G) přesuňte těžiště do přední části vozíku.
Jízda nahoru: Náklonem dozadu (H) přesuňte těžiště do zadní části vozíku.
3. Doprovod jemným tahem jede invalidním vozíkem z obrubníku nebo na něj.

Obrázek 13 *Přejíždění středně vysokých obrubníků s pomocí jedné osoby*



Vyšší obrubníky

Vyšší obrubníky, které stále nepřekračují maximální velikost, viz odst.5, se musí překonávat s pomocí dvou osob.

Jízda dolů:

1. Sundejte podnožky.
2. Doprovod pohybuje invalidním vozíkem dopředu a přiblíží se k obrubníku.
3. Nakloňte se dozadu, abyste snížili váhu na přední kola.
4. Doprovod musí pevně uchopit madla a za koncové víčko zvednout přední kola, dokud obě kola nebudou celá za hranou obrubníku.
5. Druhá osoba z doprovodu uchopí zepředu rám a bude vozík tlačit dozadu a současně spouštět zadní kola z obrubníku dolů.
6. První osoba z doprovodu uvolní tlak na rukojeti i koncové víčko a položí přední kola na zem.

Jízda nahoru:

1. Sundejte podnožky.
2. První osoba z doprovodu otočí invalidní vozík, aby se k obrubníku přiblížila zadní kola.
3. Náklonem dozadu přesuňte těžiště do zadní části vozíku.
4. Druhá osoba z doprovodu uchopí zepředu rám a bude vozík posunovat dopředu a současně s tím táhnout/tlačit zadní kola na obrubník. První osoba z doprovodu zdvihne a pevně přidrží madla, aby se vozík nemohl překlopit.

3.6 Použití ovladače

**POZOR**

Riziko zranění či poškození

- Obsluhovat ovladač smí pouze způsobilý uživatel anebo jeho oprávněný a vyškolený doprovod.
- Pamatujte si, že když se kolečkové křeslo přestaví ze vzpřímené sedací polohy do nakloněné polohy, sníží se stabilita.

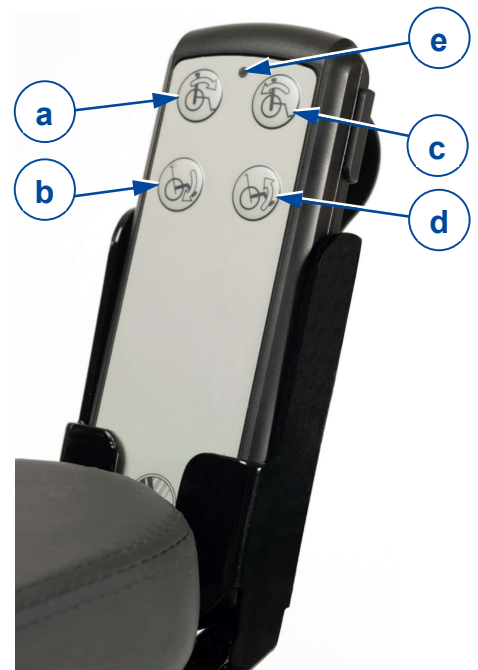
CS**POZOR**

Riziko poškození

- Ujistěte se, že je kolem kolečkového křesla dost prostoru na ovládání opěradla a sedáku.
- Zajistěte, aby nebyly mezi pohyblivými částmi zachyceny žádné předměty.

Invalidní vozík se dodává s ovladačem pro obsluhu pohyblivých částí. Ovladač používejte tímto způsobem:

1. Použití parkovacích brzd, viz odst.3.1.
2. Zapojte napájecí kabel do síťové zásuvky 220/230 VAC.
3. Počkejte minimálně 15 sekund. Rozsvítí se kontrolka (e).
4. Pro zahájení obsluhy stiskněte a přidržte jedno z tlačítek (a–d).
5. Pro zastavení pohybu tlačítko uvolněte.



Ovládací tlačítka:

- (a) Opěradlo – zvednutí do vzpřímené sedací polohy
- (b) Sedadlo – spuštění do sedací polohy
- (c) Opěradlo – spuštění do nakloněné polohy
- (d) Sedadlo – zvednutí do nakloněné polohy

Obrázek 14 Ovladač v držáku na ovladač

Další informace o nakloněných polohách opěradla a sedadla jsou uvedena v kapitole 5.

3.7 Stav a nabíjení baterie

**VAROVÁNÍ**

Riziko zranění a poškození kvůli požáru

- Používejte pouze nabíjecí adaptér dodaný s invalidním vozíkem. Použití jakéhokoliv jiného adaptéru může být nebezpečné (riziko požáru).
- Nabíjecí adaptér je určen pouze k nabíjení baterie dodané s invalidním vozíkem, nikoli k nabíjení jakýchkoli jiných baterií.
- Neupravujte žádné dodané součástky, jako jsou kabely, zástrčky nebo nabíjecí adaptér. Nikdy neotevírejte ani neměňte baterii nebo přípojky.
- Chraňte baterii a nabíjecí adaptér před plameny, vysokými teplotami (> 45 °C), vlhkostí, slunečním zářením a silnými otřesy (např. při upuštění). Nepoužívejte baterii, jestliže byla vystavena některému z dále uvedených vlivů.
- Baterii nabíjejte pomocí nabíjecího adaptéru v dobře větrané místnosti mimo dosah dětí. K nabíjení nepoužívejte prodlužovačky, ani prodlužovací kabely.

**POZOR**

Riziko poškození

- Přečtěte si návod ke skladování a údržbě v odst.4.1 a technické údaje v kapitole 5.
- Baterii nikdy úplně nevybíjejte.
- Nepřerušujte nabíjecí cyklus; nabíječku odpojte od baterie, jen když je zcela nabitá.

- Je-li baterie delší dobu vystavena extrémnímu chladu, dojde ke zkrácení její životnosti.
- Přípojku pro nabíjecí adaptér chraňte před prachem a jinými nečistotami.
- Nabíjecí adaptér zapojte přímo do síťové zásuvky (bez časového vypínače).
- V případě jakýchkoli problémů, když nelze baterii nabíjet podle následujících pokynů, se obraťte na svého odborného prodejce.
- Vlivem klidového proudu se baterie samovolně vybije, jestliže invalidní vozík nebudete určitou dobu používat. Z tohoto důvodu doporučujeme baterii pravidelně nabíjet.

3.7.1 Stav baterie

Kontrolka (65) na oddílu na baterii zobrazuje stav nabití baterie s použitím signalizačních kódů uvedených v tabulce 1.

65



CS

Obrázek 15 Umístění baterie na invalidním vozíku

Tabulka 1: Kódy indikátoru baterie

Indikační kód	Význam
ZELENÁ, trvale SVÍTÍ	Baterie je připojena k elektrické síti a normálně se nabíjí (stav nabití baterie od 70 do 100 %). <ul style="list-style-type: none"> • Nechte baterii připojenou k elektrické síti až do úplného nabití.
ZELENÁ, bliká vysokou frekvencí; 1 sekunda ZAP, 1 sekunda VYP	Baterie je připojena k elektrické síti a normálně se nabíjí (stav nabití baterie méně než 70 %). <ul style="list-style-type: none"> • Nechte baterii připojenou k elektrické síti až do úplného nabití.
ZELENÁ, bliká nízkou frekvencí; 0,5 sekundy ZAP, 4 sekundy VYP	Normální vybití baterie (kapacita baterie mezi 25 a 100 %)
ORANŽOVÁ, bliká nízkou frekvencí; 0,5 sekundy ZAP, 4 sekundy VYP	Baterie potřebuje nabít (stav nabití baterie méně než 25 %). <ul style="list-style-type: none"> • Nabíjení baterie.
ORANŽOVÁ, trvale SVÍTÍ	Upozornění na poruchu. Baterie může být odpojená, případně se může jednat o elektroinstalační problém. <ul style="list-style-type: none"> • Kontaktujte svého odborného prodejce s žádostí o pomoc nebo výměnu.
Kontrolka je trvale VYPNUTÁ	Ochrana baterie se použije a obsluha se znemožní/zastaví v případě, že: <ul style="list-style-type: none"> o Po dobu delší než 10 sekund proud přesáhne maximální hodnotu o Nízké napětí může způsobit přebíjení. <p>To bude případem při poklesu nabití baterie pod 20 %.</p> <ul style="list-style-type: none"> • Nabíjení baterie.

3.7.2 Nabíjení baterie

Při nabíjení baterie:

1. NEJPRVE zapojte nabíjecí adaptér do síťové zásuvky 230 VAC. Kontrolka (66) se rozsvítí (zeleně) a ukazuje, že je adaptér připojen k napájení. Jestliže se kontrolka nerozsvítí, nabíječku nepoužívejte a kontaktujte odborného prodejce.
2. Zapojte zástrčku adaptéru (67) do zásuvky (68) určené k nabíjení, viz obrázek Obrázek 16. Zkontrolujte, zda se vyklenutá část zástrčky nasune na vyčnívající část uvnitř zásuvky.
3. Počkejte, než se kontrolka baterie (66) rozsvítí zeleně (při překročení stavu nabití 70 %) a pokračujte v nabíjení po dobu dalších 10 hodin.
4. Odpojte nabíjecí adaptér.
5. Vytáhněte nabíjecí adaptér ze zásuvky, nechte ho vychladnout a pak ho uložte do kapsy.



Obrázek 16 Místo připojení

- i** V závislosti na stavu baterie je potřeba baterii nabíjet minimálně po dobu 10 hodin a déle než 24 hodin, jestliže se baterie vybita na méně než 25 % kapacity. Nabíjení delší dobu nepovede k poškození baterie. Proces nabíjení lze kdykoli zastavit nebo zahájit podle výše uvedených pokynů.

4 Údržba skútru

Tento invalidní vozík vyžaduje minimální údržbu, ale doporučujeme jej pravidelně kontrolovat, aby jezdil dlouhodobě bez problémů.

4.1 Body údržby

 **POZOR** Riziko zranění a poškození

Opravy a výměny smějí provádět pouze vyškolené osoby. Přitom je třeba používat pouze originální náhradní díly společnosti Vermeiren.

CS

i Poslední stránka tohoto návodu obsahuje registrační formulář pro odborného prodejce, který zapíše každý servis.
Servisní intervaly závisí na intenzitě a frekvenci používání. Požádejte svého prodejce o společnou dohodu na rozvrhu kontrol/údržby/oprav.

Před každým použitím

Zkontrolujte následující body:

- Všechny části: Přítomné a nepoškozené či neopotřebené.
- Všechny části: Čisté, viz odst.4.2.2.
- Kola, sedadlo, opěrky na nohy, loketní opěrky, podnožky, nožní desky a (případná) opěrka hlavy: Dobré zajištění.
- Stav baterie: V případě potřeby nabijte baterii, viz odst.3.7.
- Ovladač, baterie, přípojná krabice, motor, nabíjecí adaptér a příslušné kabely: Bez poškození, jako jsou roztřepené, přerušené či odizolované vodiče.
- Stav kol/pneumatik, viz odst.4.2.1;
- Stav brzd, viz odst.4.2.1
- Stav rámu: Žádná deformace, nestabilita, zeslabení nebo uvolněné spoje
- Sedadlo, opěradlo, loketní podložky, podložky na nohy a (případná) opěrka hlavy: Bez nadměrného opotřebení (např. promáčknutá místa, poškození nebo roztržení).

Pro případné opravy či výměny částí se obraťte na svého odborného prodejce.

Každých šest měsíců

Jestliže bude tento invalidní vozík delší dobu skladován, musíte jednou za 6 měsíců nabíjet baterie minimálně po dobu 24 hodin. Další informace naleznete v odst. 3.5.

Ročně nebo častěji

Tento invalidní vozík nechte u odborného prodejce ke kontrole a provedení servisu alespoň jednou ročně nebo častěji. Minimální četnost údržby závisí na používání, a proto by měla být společně dohodnuta s vaším odborným prodejcem.

Při uložení

Zajistěte, aby byl invalidní vozík skladován na suchém místě, kde nemůže dojít k výskytu plísní a k poškození čalounění.

4.2 Pokyny údržby

4.2.1 Kola a pneumatiky

i Správná funkce brzd závisí na stavu pneumatik, který se může měnit kvůli opotřebení a znečištění (voda, olej, bláto atd...).

- Udržujte kola bez drátů, vlasů, písku a kobercových vláken.
- Zkontrolujte vzorek na pneumatikách. Je-li hloubka dezénu menší než 1 mm, musí být pneumatiky vyměněny. obraťte se v této věci na svého odborného prodejce.

4.2.2 Čištění



POZOR

Riziko poškození vlhkostí

- Udržujte ovladač v čistém stavu a chraňte ho před vodou a deštěm.
- K čištění invalidního vozíku nikdy nepoužívejte hadici ani vysokotlaký čistič.

Otřete všechny pevné části invalidního vozíku vlhkým (nikoli mokrým) hadříkem. V případě potřeby použijte jemné mýdlo vhodné na laky a syntetické barvy.

Čalounění lze vyčistit vlažnou vodou a jemným mýdlem. K čištění nepoužívejte abrazivní čisticí prostředky.

4.2.3 Dezinfekce



POZOR

Riziko poškození

Dezinfekci mohou provádět pouze kvalifikované osoby. Poradte se se svým prodejcem.

4.3 Řešení problémů

I když tento invalidní vozík používáte správně, může se vyskytnout technický problém. V takovém případě se obraťte na svého místního odborného prodejce.



VAROVÁNÍ

Riziko zranění a poškození invalidního vozíku

- NIKDY se nepokoušejte opravit invalidní vozík sami.

Následující příznaky mohou znamenat vážný problém. Proto se obraťte na svého odborného prodejce vždy, když zaznamenáte některou z následujících odchylek:

- Divný zvuk;
- Roztřepené/poškozené kabelové svazky;
- Prasklé či rozbité konektory;
- Invalidní vozík je připojen k napájení, ale nereaguje na pokyny z ovladače, viz odst.3.7.

4.4 Očekávaná životnost

Průměrná životnost tohoto invalidního vozíku je 5 let. V závislosti na četnosti použití, jízdních podmínkách a údržbě se životnost tohoto invalidního vozíku prodlouží nebo zkrátí.

4.5 Konec používání

Po skončení životnosti musí být invalidní vozík zlikvidován podle místní legislativy pro životní prostředí. Nejlepším způsobem likvidace je rozebrání invalidního vozíku pro usnadnění přepravy recyklovatelných součástí.

5 Technické údaje

Technické údaje uvedené níže platí pouze pro tento invalidní vozík při standardních nastaveních a optimálních podmínkách okolí. Během používání berte tyto údaje v úvahu. Pokud byl tento invalidní vozík upraven, poškozen nebo došlo k jeho velkému opotřebení, nebudou tyto hodnoty platné.

Tabulka 2: Technické údaje

Značka	Vermeiren	
Typ	Invalidní vozík	
Model	Inovys II-E	
Popis	Rozměry pro všechny konfigurace	
Max. váha uživatele	135 kg	
Statická stabilita, svah dolů	10° **	
Statická stabilita, svah nahoru	15° **	
Statická stabilita, do stran	12° **	
Překonání překážky	60 mm	
Popis	Min.	Max.
Celková délka podnožkami (podle nastavení hloubky sedadla)	1050 mm	1090 mm
Délka v demontovaném stavu bez podnožek (podle nastavení hloubky sedadla)	830 mm	870 mm
Celková výška (bez hlavové opěrky)	990 mm	1060 mm
Výška v demontovaném stavu (se sklopeným opěradlem, bez loketních opěrek)	710 mm	780 mm
Úhel roviny sedadla	0°	+21°
Efektivní hloubka sedadla	460 mm	520 mm
Výška povrchu sedadla na předním okraji (s čalouněním)	460 mm	530 mm
Úhel opěradla	0°	+54°
Výška opěradla	550 mm	585 mm
Vzdálenost mezi podnožkou a sedadlem	400 mm	570 mm *
Úhel stupátka	80°	100°
Úhel mezi sedadlem a podnožkami	104°	194°
Vzdálenost mezi loketní opěrkou a sedadlem	220 mm	320 mm
Přední poloha konstrukce loketní opěrky	460 mm	490 mm
Popis	Rozměry podle konfigurací	
Průměr zadních kol	16" (T30) s bubnovými brzdami	24"
Průměr ručního ráfku	--	535 mm
Efektivní šířka sedadla	400 mm	500 mm
Celková šířka (závisí na šířce sedadla)	630 mm	730 mm
Šířka v demontovaném stavu (bez loketní opěrky)	600 mm	700 mm
Šířka podnožky (minimální–maximální)	44–46 mm	48-50 mm
Průměr řídicích kol	200 mm	200 mm
Horizontální poloha osy (vychýlení)	-8 mm – 41 mm	-4 mm – 42 mm

Celková hmotnost	41,7 kg	40,9 kg
Hmotnost nejtěžší části	27,1 kg	22,9 kg
Hmotnosti snímatelných částí		
Opěrky nohou	4,80 kg	4,80 kg
Loketní opěrky	3,8 kg	3,8 kg
Zadní kola	--	3,6 kg
Opěradlo	3,6 kg	3,6 kg
Ukazatel	2,2 kg	2,2 kg
Poloměr otáčení (průměr)	1520 mm	1620 mm
Popis	Údaje pro všechny konfigurace	
Zkoušky pevnosti podle normy	ISO 7176-8	
Vznětlivost čalounění podle normy	ISO 7176-16	
Shoda s EMK	ISO 7176-21 / EN 61000-3-2 a EN 61000-3-3	
Nabíjecí adaptér / transformátor	Vstup: 100–240 V AC, 50/60Hz Max. výstup: 29V DC, 2,5A Stupeň krytí: IP66 Provozní cyklus: 2 min. ZAP / 18 min. VYP	
Ukazatel	Kapacita: 1,2 Ah Vstup: 29~45 V DC Výstup: 24V DC, 1,2 A Stupeň krytí: IP66 Provozní cyklus: 10 % (2 min. ZAP / 18 min. VYP)	
Motor (2×)	Kapacita: 1500 N Rychlost motoru: 2200RPM 2 200 ot/min. Umax 24 VDC; I _{max} 2,2 A Stupeň krytí: IP66, Provozní cyklus: 10 % (max. 2 min. ZAP / 18 min. VYP)	
Ovladač	Stupeň krytí: IP66	
Teplota při použití a skladování (baterie)	+ 5 °C ~ + 45°C	
Vlhkost skladování a používání	30 % ~ 70 %	
Vyhraujeme si právo na zavádění technických změn. Tolerance měření ±15 mm / 1,5 kg / 1,5°. (*) Nenastavujte podnožku na maximální délku, aby se stupátko nedotýkalo země. (**) Testováno ve standardní konfiguraci NA Netýká se		



Service registration form

This product (name):

was inspected (I), serviced (S), repaired (R) or disinfected (D):

By (stamp): Kind of work: I / S / R / D Date:	By (stamp): Kind of work: I / S / R / D Date:	By (stamp): Kind of work: I / S / R / D Date:
By (stamp): Kind of work: I / S / R / D Date:	By (stamp): Kind of work: I / S / R / D Date:	By (stamp): Kind of work: I / S / R / D Date:
By (stamp): Kind of work: I / S / R / D Date:	By (stamp): Kind of work: I / S / R / D Date:	By (stamp): Kind of work: I / S / R / D Date:
By (stamp): Kind of work: I / S / R / D Date:	By (stamp): Kind of work: I / S / R / D Date:	By (stamp): Kind of work: I / S / R / D Date:
By (stamp): Kind of work: I / S / R / D Date:	By (stamp): Kind of work: I / S / R / D Date:	By (stamp): Kind of work: I / S / R / D Date:



Vermeiren GROUP
Vermeirenplein 1 / 15
2920 Kalmthout
BE

website: www.vermeiren.com