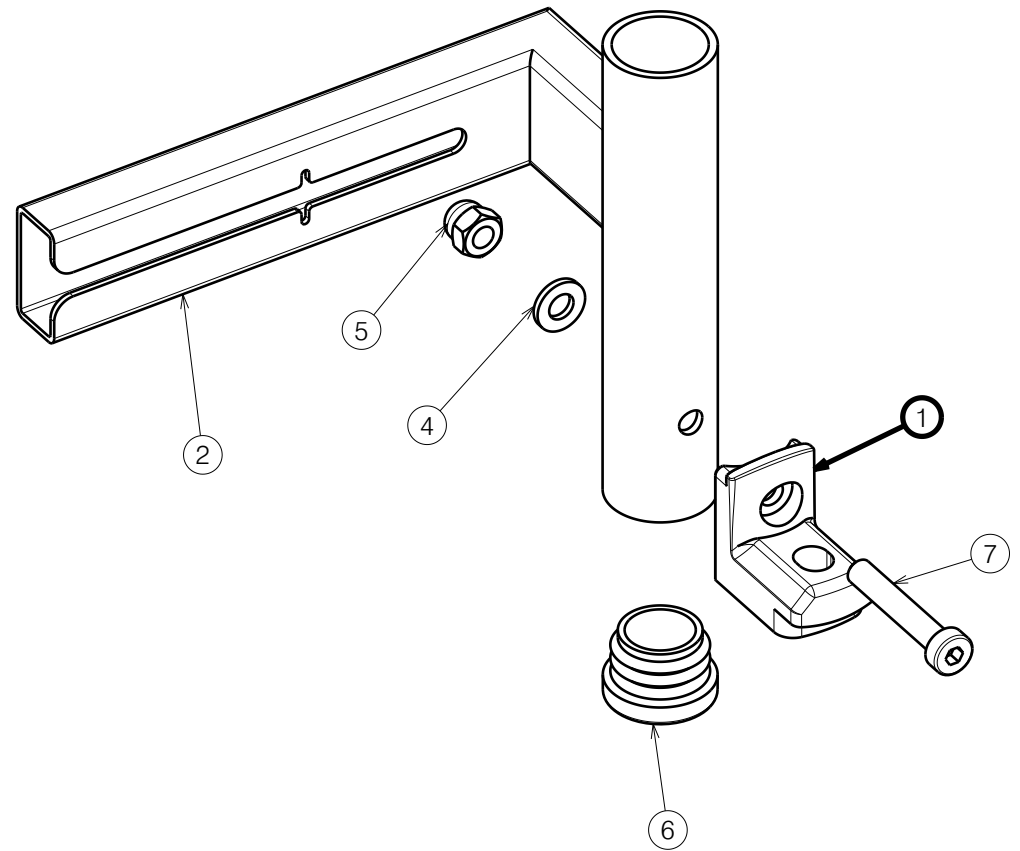
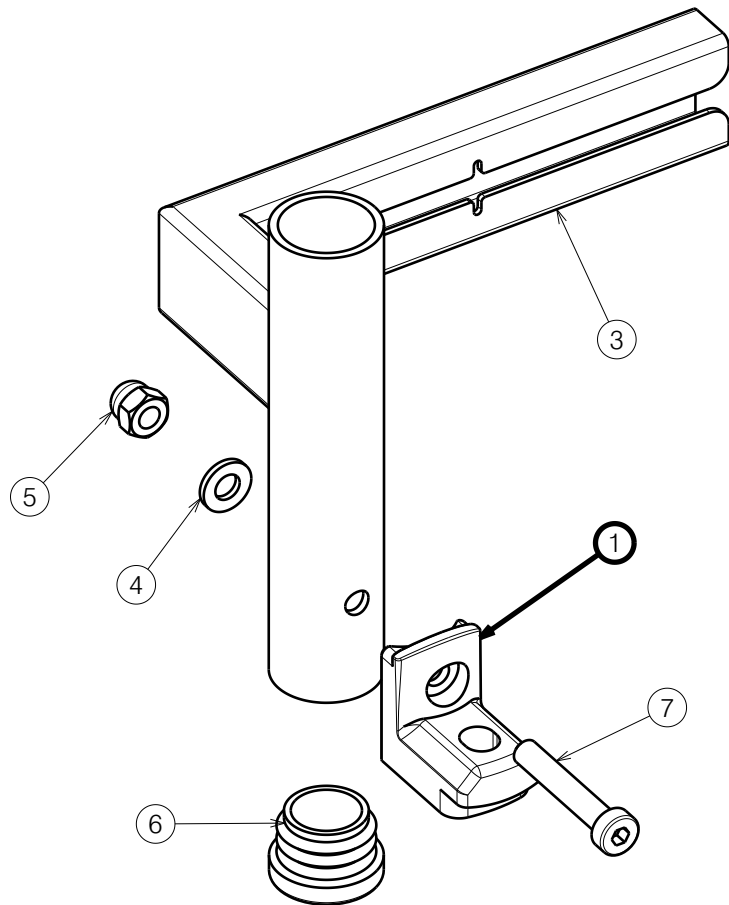



Material			
No.	Plan	Article	Qty
1	X004415	17193	2
2	Y017802	1755854	1
3	Y017803	1755954	1
4	M6 DIN125	2994414	2
5	M6 DIN986	2994059	2
6	D25	1991857	2
7	M6x35 DIN7984	2994654	2



E001044 / D

1912033

INOVYS 2 ATTACHMENT BK7/BL7/B06/BK6				Plan No. E001044 / D
Scale: 3:5	Drafted	Verified	Confirmed	
Date	07/07/2016	17/07/2023	17/07/2023	
Initials	SD	PM	AS	