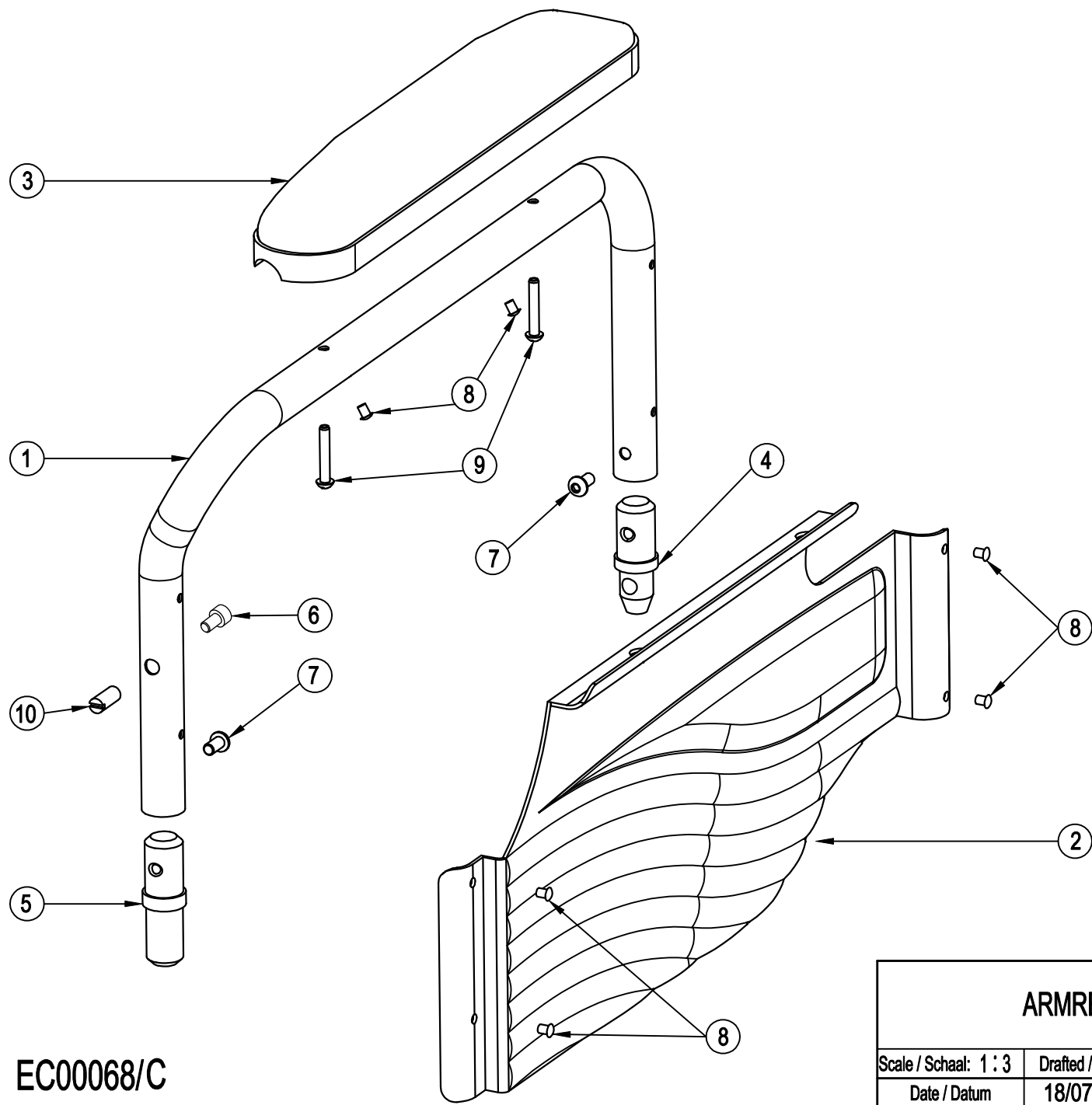


Material			
NO.	Plan	Article	Number
1	YC00384(L)	1C168	1
	YC00383(R)	1C167	1
2	XP00015(L)	2990008	1
	XP00016(R)	2990009	1
3	---	3990082	2
4	X003371	1997774	2
5	X003368	1997773	2
6	---	1001491	2
7	---	1007000	4
8	---	1990752	12
9	---	1007954	4
10	X002671	1552000	2



EC00068/C

<b>ARMREST B02 TYPE JAZZ S50</b>			Plan No. / Plannr.
			EC00068/C
Scale / Schaal: 1 : 3	Drafted / Getekend	Verified / Nagezien	Confirmed / Bevestigd
Date / Datum	18/07/2013	21/08/2019	21/08/2019
Init. / Init.	Lydia	NY	TG

