
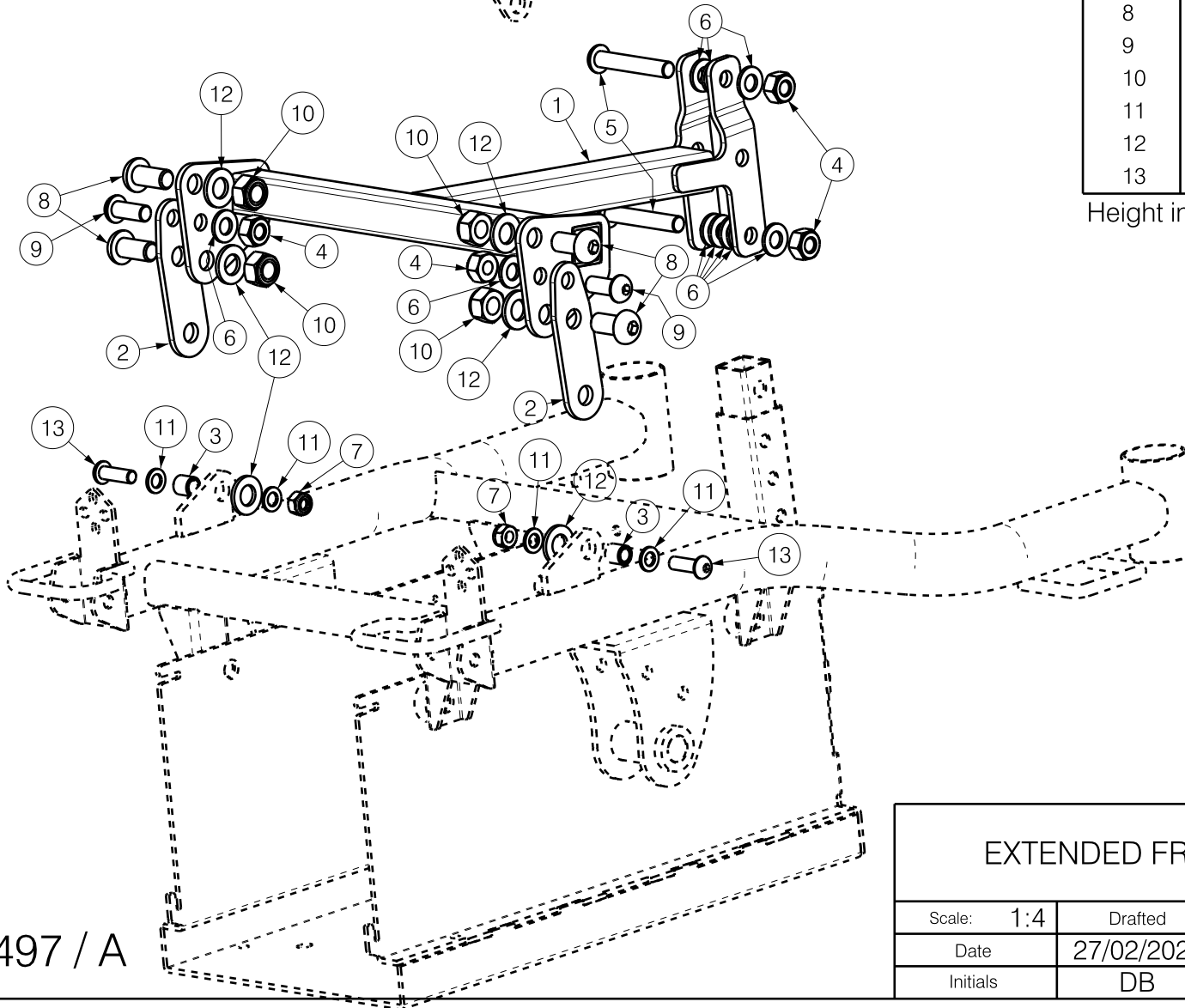
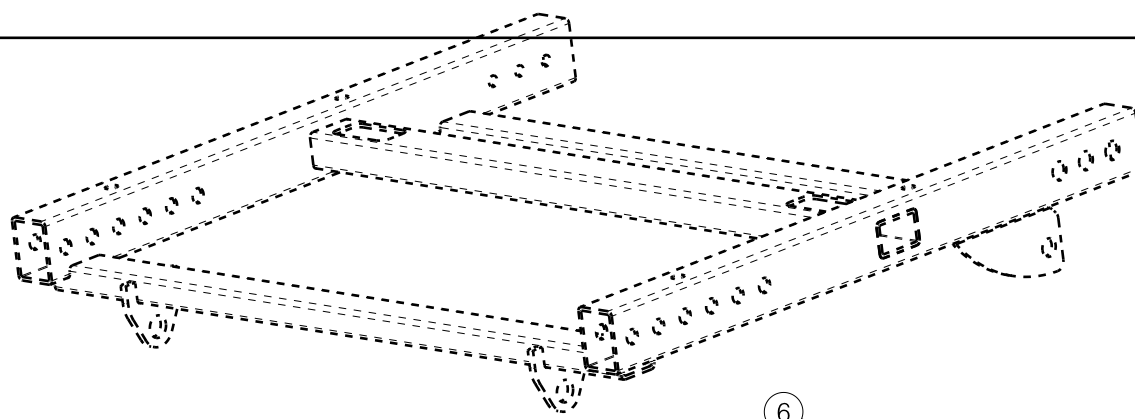


Material			
No.	Plan	Article	Quantity
1	YP07891	2601854	1
2	XP02921	2994763	2
3	XP02898	GP22000	2
4	M8x30 ISO 7380	1992717	2
5	M8 DIN 125	1001556	4
6	M12x25 ISO 7380	2994764	2
7	M12 DIN125	1001561	2
8	M8 DIN 985	1001682	2
9	M10x60 ISO 7380	1907128	2
10	M10 DIN125	1001558	8
11	M10 DIN 985	1001683	2
12	M12 DIN 985	1001684	2

Height increased by 50 mm.

EP00497 / A

EXTENDED FRAME BASIC TURIOS				Plan No.
				EP00497 / A
Scale: 1:4	Drafted	Verified	Confirmed	
Date	27/02/2020	27/02/2020	27/02/2020	
Initials	DB	AS	TK	



Material			
No.	Plan	Article	Quantity
1	YP07891	2601854	1
2	YP07892	2601954	2
3	XP02897	GP21900	2
4	M10 DIN 985	1001683	4
5	M10x60 ISO 7380	1907128	2
6	M10 DIN125	1001558	10
7	M8 DIN 985	1001682	2
8	M12x25 ISO 7380	2994764	4
9	M10x25 ISO 7380	1992165	2
10	M12 DIN 985	1001684	4
11	M8 DIN 125	1001556	4
12	M12 DIN125	1001561	6
13	M8x25 ISO 7380	1990501	2

Height increased by 100 mm.

EP00497 / A

EXTENDED FRAME BASIC TURIOS

Plan No.

EP00497 / A

Scale: 1:4

Drafted

Verified

Confirmed

Date

27/02/2020

27/02/2020

27/02/2020

Initials

DB

AS

TK

