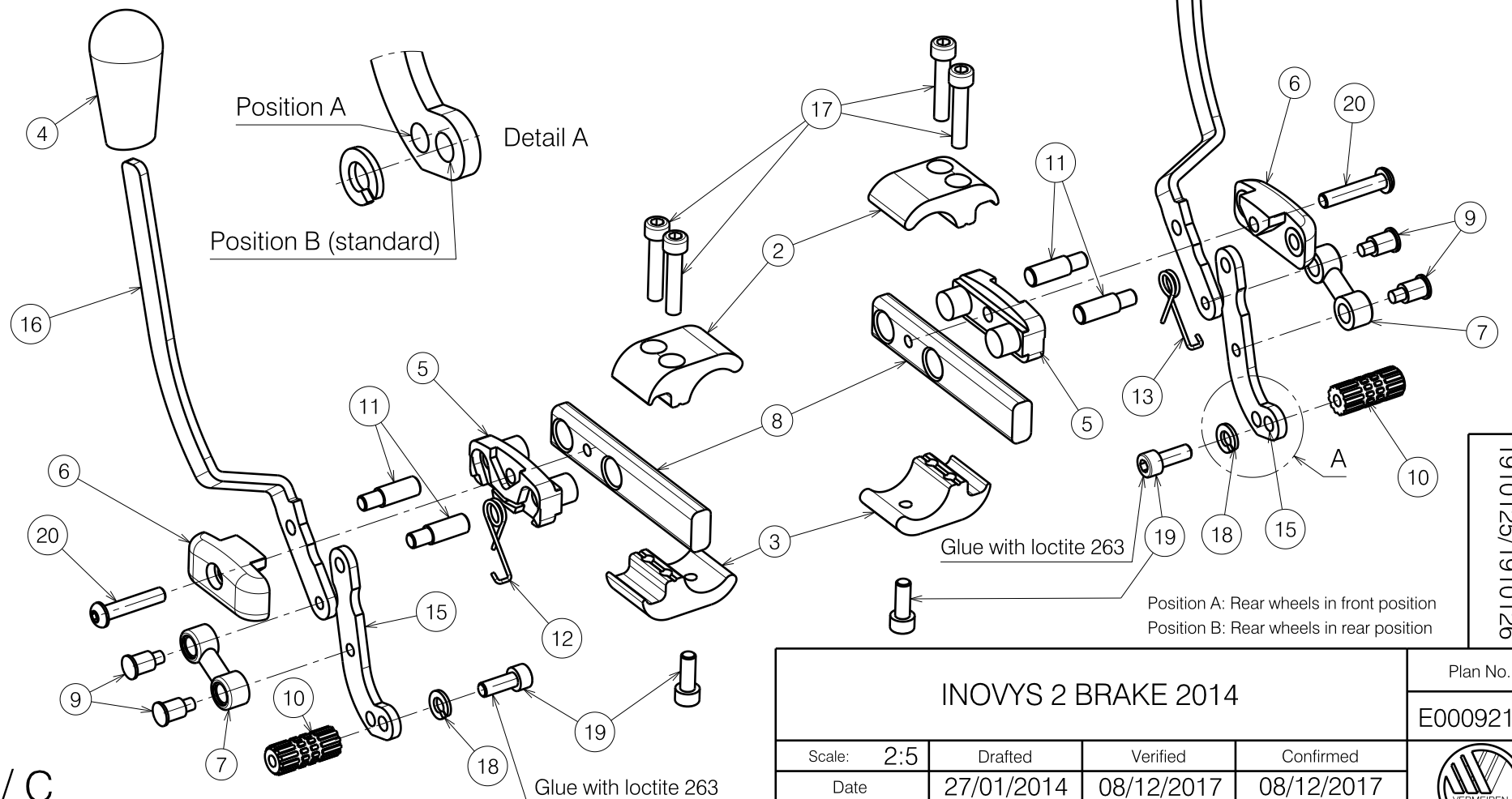


Material							
No.	Plan	Article	Quantity	No.	Plan	Article	Quantity
2	X002115	1552682	2	11	X005276	1793900	4
3	X002116	1552782	2	12	X005305	1910032	1
4	X002134	1992411	2	13	X005306	1910033	1
5	X002139	1992426	2	14	Y006737	1684254	1
6	X002140	1992427	2	15	Y012237	1670154	2
7	X002141	1992435	2	16	Y013768	1687354	1
8	X002155	1552582	2	17	M6x30 DIN912	1001495	4
9	X002165	1488300	4	18	M6 DIN127	1004414	2
10	X005274	17937	2	19	M6x16 DIN912	1001492	4
				20	M6x30 ISO7380	1009588	2



1910125/1910126

E000921 / C

<b>INOVYS 2 BRAKE 2014</b>				Plan No.
				E000921 / C
Scale: 2:5	Drafted	Verified	Confirmed	
Date	27/01/2014	08/12/2017	08/12/2017	
Initials	SD	SD	PJ	