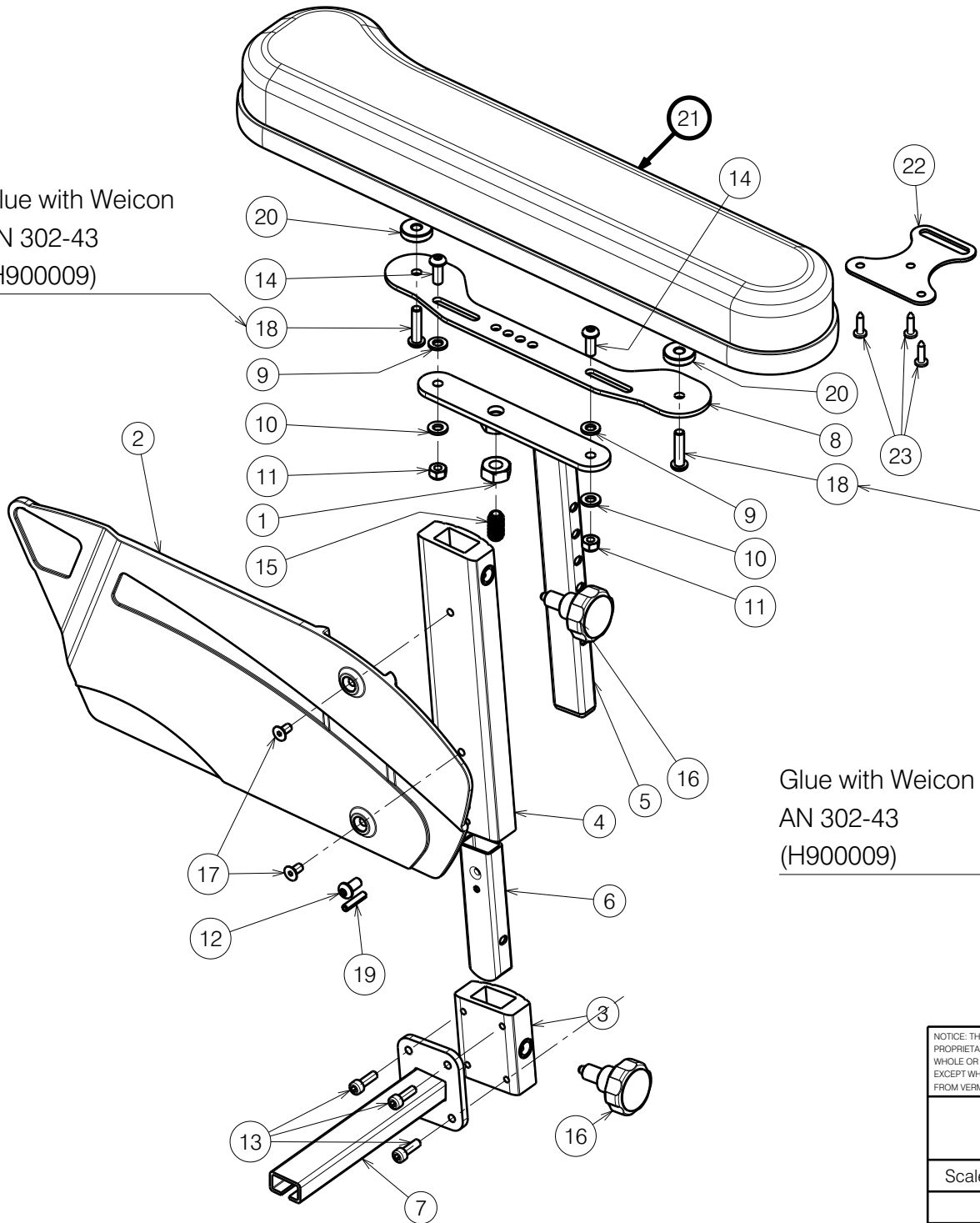


Glue with Weicon
AN 302-43
(H900009)



Glue with Weicon
AN 302-43
(H900009)

Material			
No.	Plan	Article	Quantity
1	M10 DIN934	1001672	2
2	X003347	1900204 (L)	1
	X003348	1900205 (R)	1
3	X004812	2051682	2
4	X004813	2051782 (L)	1
	X004814	2051882 (R)	1
5	Y008789	1659301	2
6	Y011205	1657901	2
7	Y011207	1658000 (L)	1
	Y011750	1662500 (R)	1
8	Y011751	1662654	2
9	M6 PVC DIN125A	1000973	4
10	M6 DIN125A	1001564	4
11	M6 DIN985	1001680	4
12	M6x12	1007000	2
13	M5x16 DIN912/8.8	1007198	8
14	M6x16	1008459	4
15	M10x19	1991432	2
16	∅35 M10x1	1996819	4
17	M5x10 DIN7991/8.8	1999977	4
18	M6x25	1006998	4
19	∅4x20 DIN1481	1009584	2
20	XP00227	2990147	4
21	---	2995547(L)	1
	---	2995548(R)	1
22*	YP05496	2713054	1
23*	∅4x16	1003021	3

* For use with Table on Inovys II-E
Only left side depicted / Quantity for 1 pair

NOTICE: THE INFORMATION CONTAINED ON THIS DRAWING IS PROPRIETARY TO VERMEIREN GROUP AND SHALL NOT BE DISCLOSED IN WHOLE OR IN PART, OR USED FOR ANY DESIGN OR MANUFACTURE, EXCEPT WHEN SUCH USER POSSESSES DIRECT WRITTEN AUTHORISATION FROM VERMEIREN GROUP.

1907537

ARM REST TYPE INOVYS 2

Plan No.

E000711/J

Scale:	1:4	Drafted	Verified	Confirmed
Date	2011-09-07	2023-09-07	2023-09-07	
Initials	SD	OY	AS	

