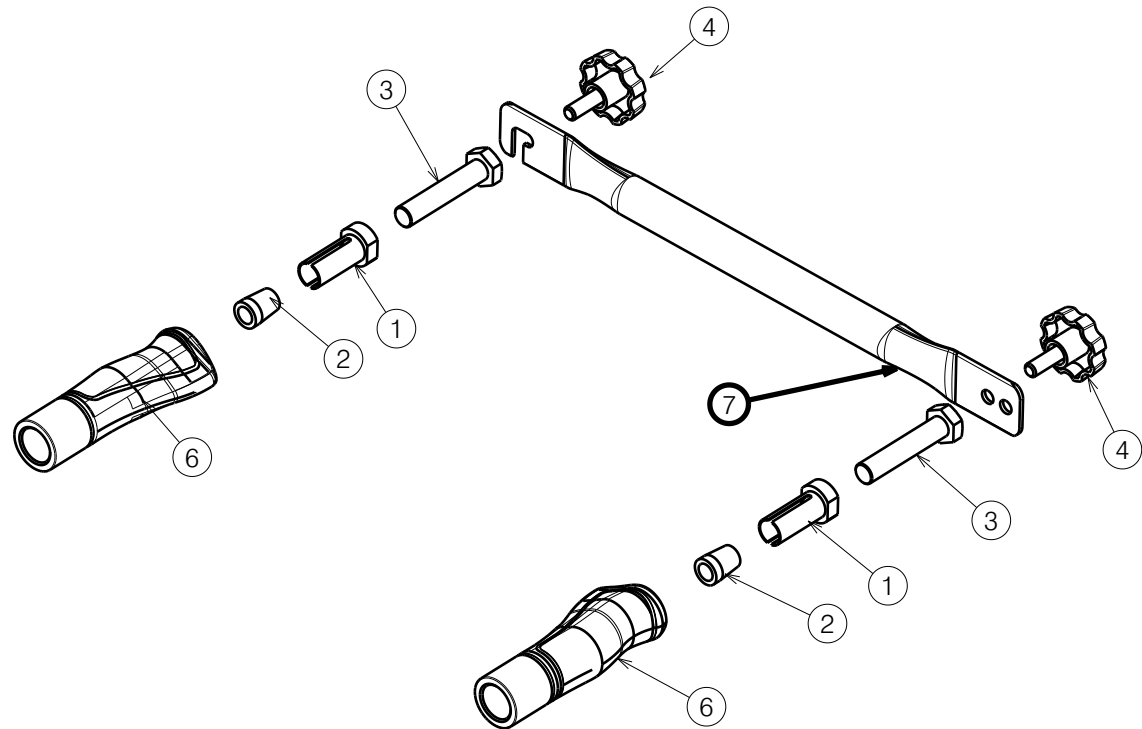



| Material |              |              |          |
|----------|--------------|--------------|----------|
| No.      | Plan         | Article      | Quantity |
| * 1      | X002532      | 1528800 (1)  | 2        |
|          | X002528      | 1528400 (2)  | 2        |
| * 2      | X002533      | 1528900 (1)  | 2        |
|          | X002529      | 1528500 (2)  | 2        |
| 3        | X002527      | 1528300      | 2        |
| 4        | ---          | 1001580      | 2        |
| 6        | ---          | F006491      | 2        |
|          | ---          | F002907      | 2        |
| 7        | P00028130    | 2646854 (30) | 1        |
|          | P00029936    | 2870654 (32) | 1        |
|          | P00029937    | 2646954 (34) | 1        |
|          | P00029938    | 2647054 (36) | 1        |
|          | Y020155      | 1791654 (38) | 1        |
|          | Y020156      | 1791754 (40) | 1        |
|          | Y004762      | 1521854 (42) | 1        |
|          | Y004763      | 1521954 (44) | 1        |
|          | Y004764      | 1522054 (46) | 1        |
|          | Y004765      | 1522154 (48) | 1        |
| Y004766  | 1522254 (50) | 1            |          |

\* (1) -For tube  $\phi 22 \times 3$   
(2)- For tube  $\phi 25,4 \times 1,5$



|                |            |            |            |   |
|----------------|------------|------------|------------|---|
| B90 TYPE TRIGO |            |            |            | ---   |
|                |            |            |            | Plan No.<br>E00029943 B90<br>TYPE TRIGO/B1.1  |
| Scale: 1:1     | Drafted    | Verified   | Confirmed  |  |
| Date           | 2022-01-31 | 12/12/2022 | 12/12/2022 |   |
| Initials       | AS         | PM         | AS         |   |