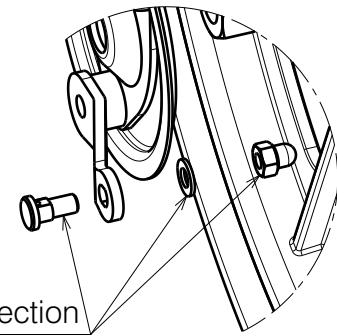


Material			
Sl.No	Plan N°	Article N°	Quantity
1	M12 DIN985	1919454	2
2	M12 DIN125 B	1919455	2
3	16"	1919564 (L)	1
	16"	1919565 (R)	1
4	M12x120 DIN931	1919456	2
5	---	2993049	2x 1.05m
6	∅22	1994012	2
7*	---	1004109	2
8*	---	1004094	2
9	M6 DIN985	2994063	2
10	X003407	1997399	2
11	M6x40	2994066	2
12	---	1996806	2
13	X003801	1900365	2


* Not depicted



Detail A
Scale: 1:2

Only right side depicted

NOTICE: THE INFORMATION CONTAINED ON THIS DRAWING IS PROPRIETARY TO VERMEIREN GROUP AND SHALL NOT BE DISCLOSED IN WHOLE OR IN PART, OR USED FOR ANY DESIGN OR MANUFACTURE, EXCEPT WHEN SUCH USER POSSESSES DIRECT WRITTEN AUTHORISATION FROM VERMEIREN GROUP.

1902200			
Plan No.			
E001153/E			
			

INOVYS 2 T30 FIXED DRUM BRAKE			
Scale: 1:3	Drafted	Verified	Confirmed
Date	04-05-2020	13-02-2026	13-02-2026
Initials	SD	MP	SD