

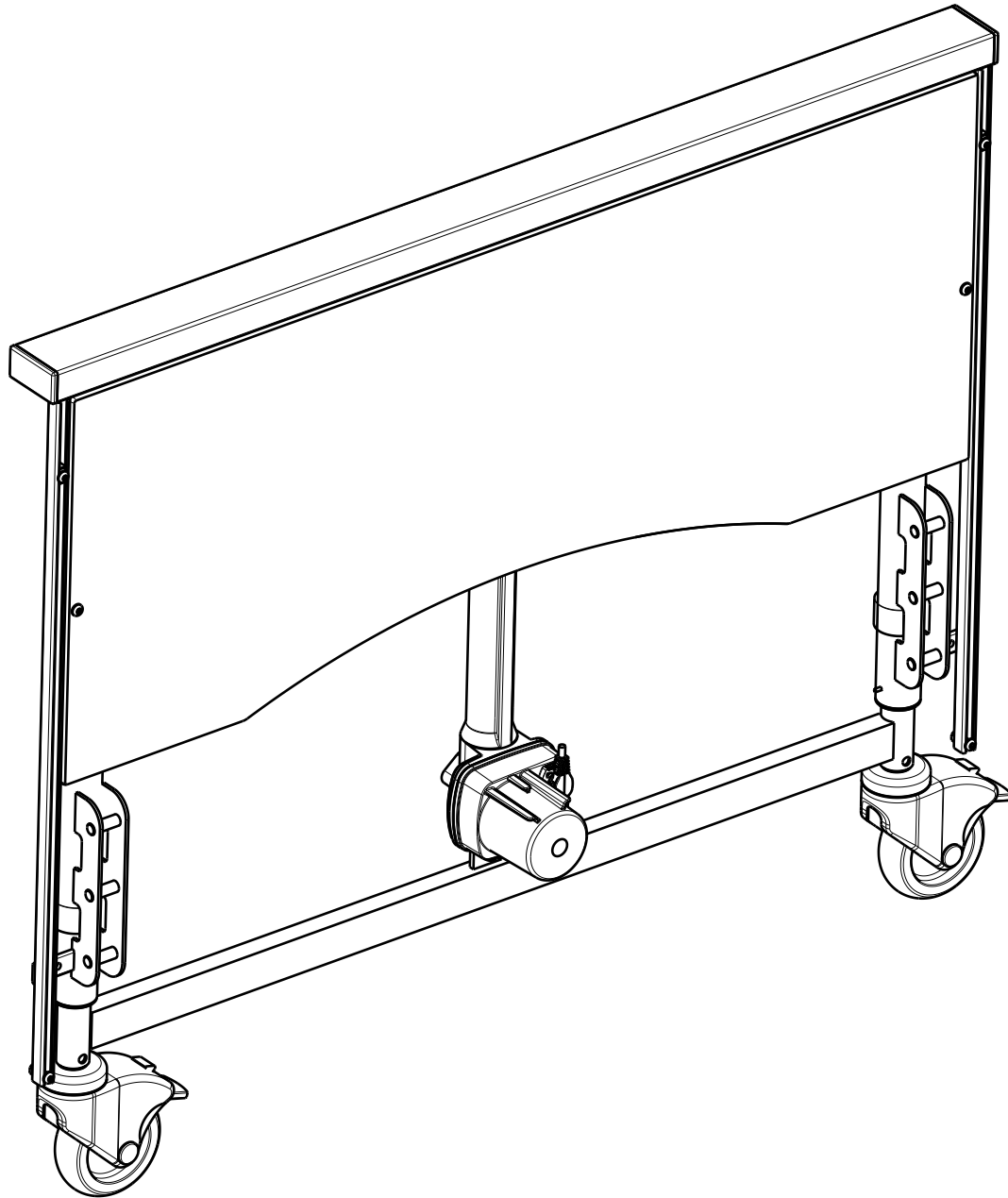
NOTICE: THE INFORMATION CONTAINED ON THIS DRAWING IS PROPRIETARY TO VERMEIREN GROUP AND SHALL NOT BE DISCLOSED IN WHOLE OR IN PART, OR USED FOR ANY DESIGN OR MANUFACTURE, EXCEPT WHEN SUCH USER POSSESSES DIRECT WRITTEN AUTHORISATION FROM VERMEIREN GROUP.

FRONT/REAR PANEL CLUB VARIO

1/2

Scale:	1:8	Drafted	Verified	Confirmed
Date	2022-10-20	2024-02-06	2024-02-06	
Initials	OY	PM	AZ	

Plan No.
E00045757/C1.1



No.	Plan	Article	Qty
1	P00031442	2660137	1
2	P00031445	2650437	1
3	P00036722	2995560	1
4*	P00038021 ---*	2995533 1903974*	2 2*
5	M10x35	1009442	1
6	X002822	1995716	2
7	X004564	1904874	2
8	M12 DIN127A	1001572	2
9	M6x20 ISO7380	1006999	4
10	M12x30 DIN912	1009318	2
11	Motor LA24	1918547	1
12	D3x8 DIN7343	1993130	4
13	Cap 30x60	2990295	2
14	M6x12	1008492	2
15	M10 DIN985	1001683	2
16	Wheel D100	1001252	2
17	XP01397	2702400	2
18	M10x45 ISO7380	1908848	1
19	M6x12	1007000	2
20	X002029	1991841	1

* - use to end of stock

NOTICE: THE INFORMATION CONTAINED ON THIS DRAWING IS PROPRIETARY TO VERMEIREN GROUP AND SHALL NOT BE DISCLOSED IN WHOLE OR IN PART, OR USED FOR ANY DESIGN OR MANUFACTURE, EXCEPT WHEN SUCH USER POSSESSES DIRECT WRITTEN AUTHORISATION FROM VERMEIREN GROUP.

Assembly Front/Rear Panel | CLUB VARIO

2/2

Plan No.

A00031443/C1.1

Scale: 1:6	Drafted	Verified	Confirmed
Date	2022-10-20	2024-02-06	2024-02-06
Initials	OY	PM	AZ

