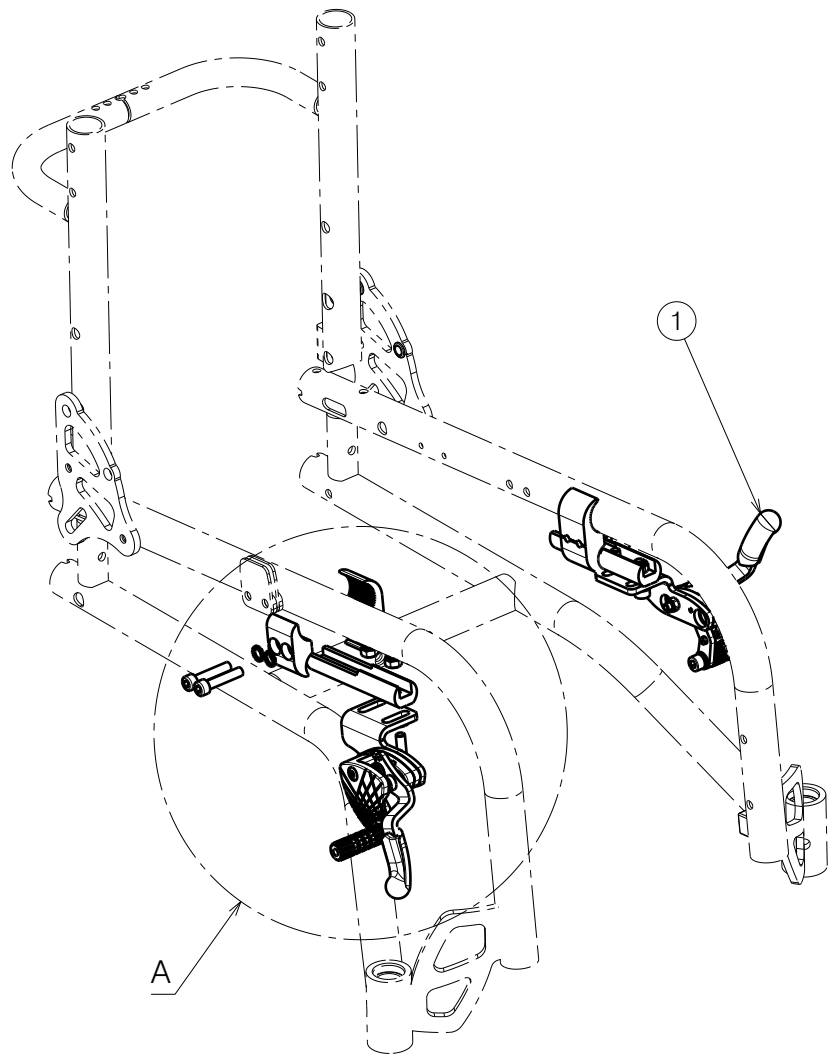
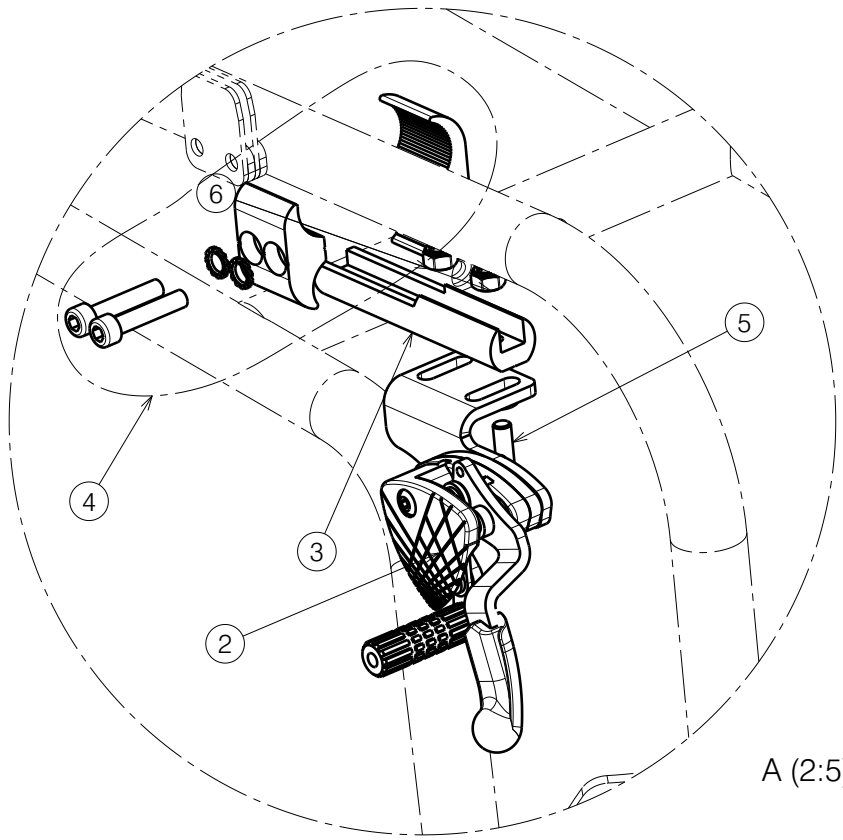



Material			
No.	Plan	Article	Quantity
1	PushpullbrakeL	EP00253	1
2	PushpullbrakeR	EP00252	1
3	XP03430	2997530	2
4	MBL	2990321	2
5	M6x20 DIN912 Black	2994004	4
6	M6 DIN 985 Black	2994063	4



EP00652 / A

PUSH/PULL BRAKE (L/R) SAGITTA KIDS				Plan No.
				EP00652 / A
Scale: 1:2	Drafted	Verified	Confirmed	
Date	21/11/2022	23/11/2022	25/11/2022	
Initials	WM	AZ	AS	