
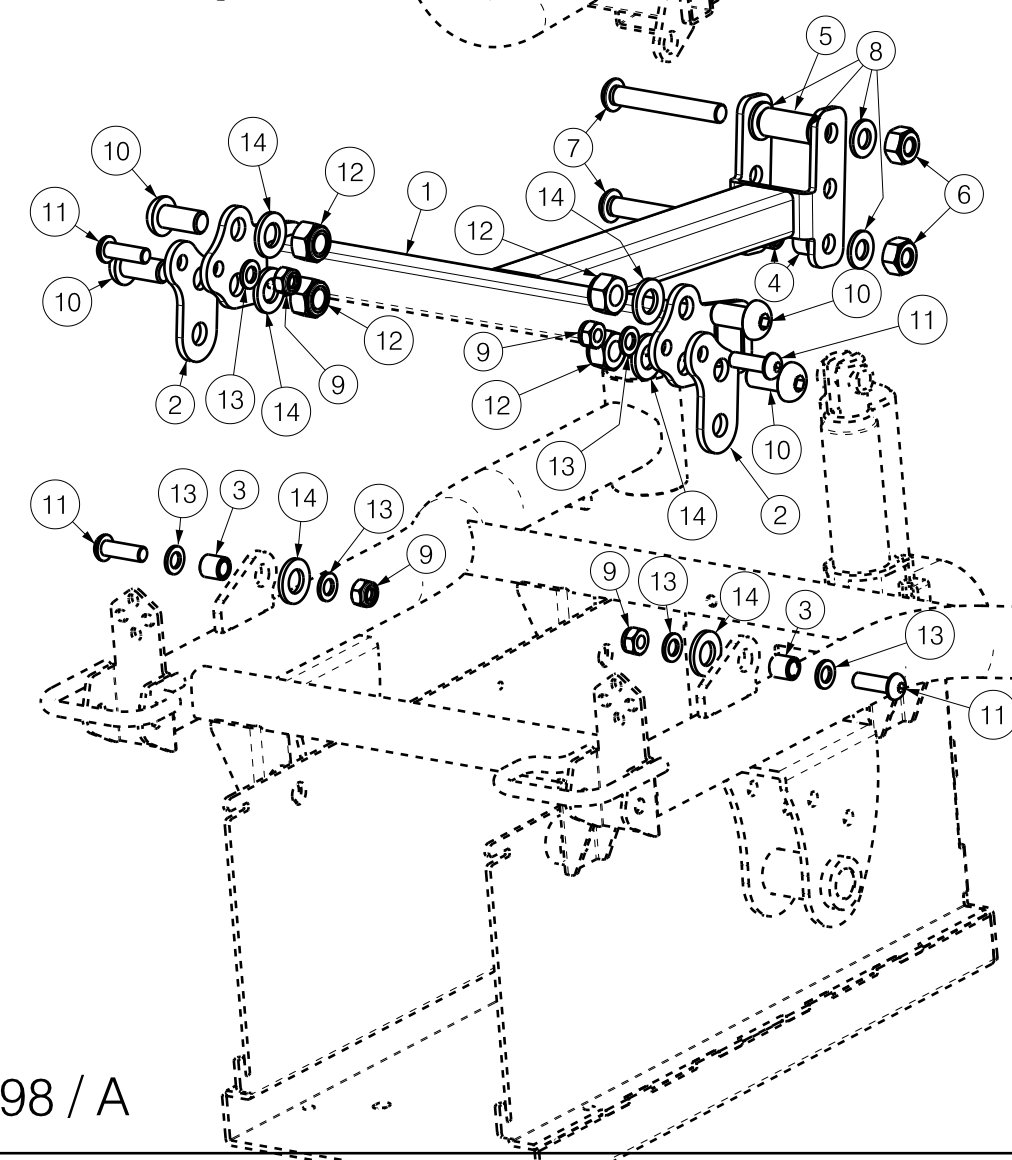
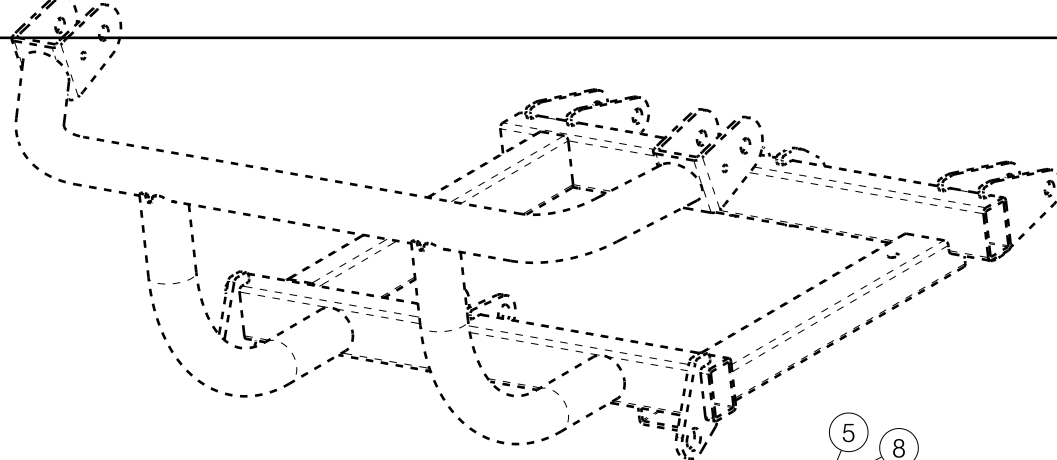


Material			
No.	Plan	Article	Quantity
1	YP07904	2602154	1
2	XP02921	2994763	2
3	XP02898	GP22000	2
4	XP02874	2994766	2
5	XP02875	2994767	1
6	M8x30 ISO 7380	1992717	2
7	M8 DIN 125	1001556	4
8	M12x25 ISO 7380	2994764	2
9	M12 DIN125	1001561	2
10	M8 DIN 985	1001682	2
11	M10x70 ISO 7380	1995829	2
12	M10 DIN125	1001558	4
13	M10 DIN 985	1001683	2
14	M12 DIN 985	1001684	2

Height increased by 30 mm.

EP00498 / A

EXTENDED FRAME ELECTRIC TURIOS				Plan No.
				EP00498 / A
Scale: 1:4	Drafted	Verified	Confirmed	
Date	27/02/2020	27/02/2020	27/02/2020	
Initials	DB	AS	TK	



Material			
No.	Plan	Article	Quantity
1	YP07904	2602154	1
2	YP07905	2602054	2
3	XP02897	GP21900	2
4	XP02874	2994766	2
5	XP02875	2994767	1
6	M10 DIN 985	1001683	2
7	M10x70 ISO 7380	1995829	2
8	M10 DIN125	1001558	4
9	M8 DIN 985	1001682	2
10	M12x25 ISO 7380	2994764	4
11	M8x25 ISO 7380	1990501	4
12	M12 DIN 985	1001684	4
13	M8 DIN 125	1001556	6
14	M12 DIN125	1001561	6

Height increased by 60 mm.

EP00498 / A

EXTENDED FRAME ELECTRIC TURIOS				Plan No.
				EP00498 / A
Scale: 1:4	Drafted	Verified	Confirmed	
Date	27/02/2020	27/02/2020	27/02/2020	
Initials	DB	AS	TK	